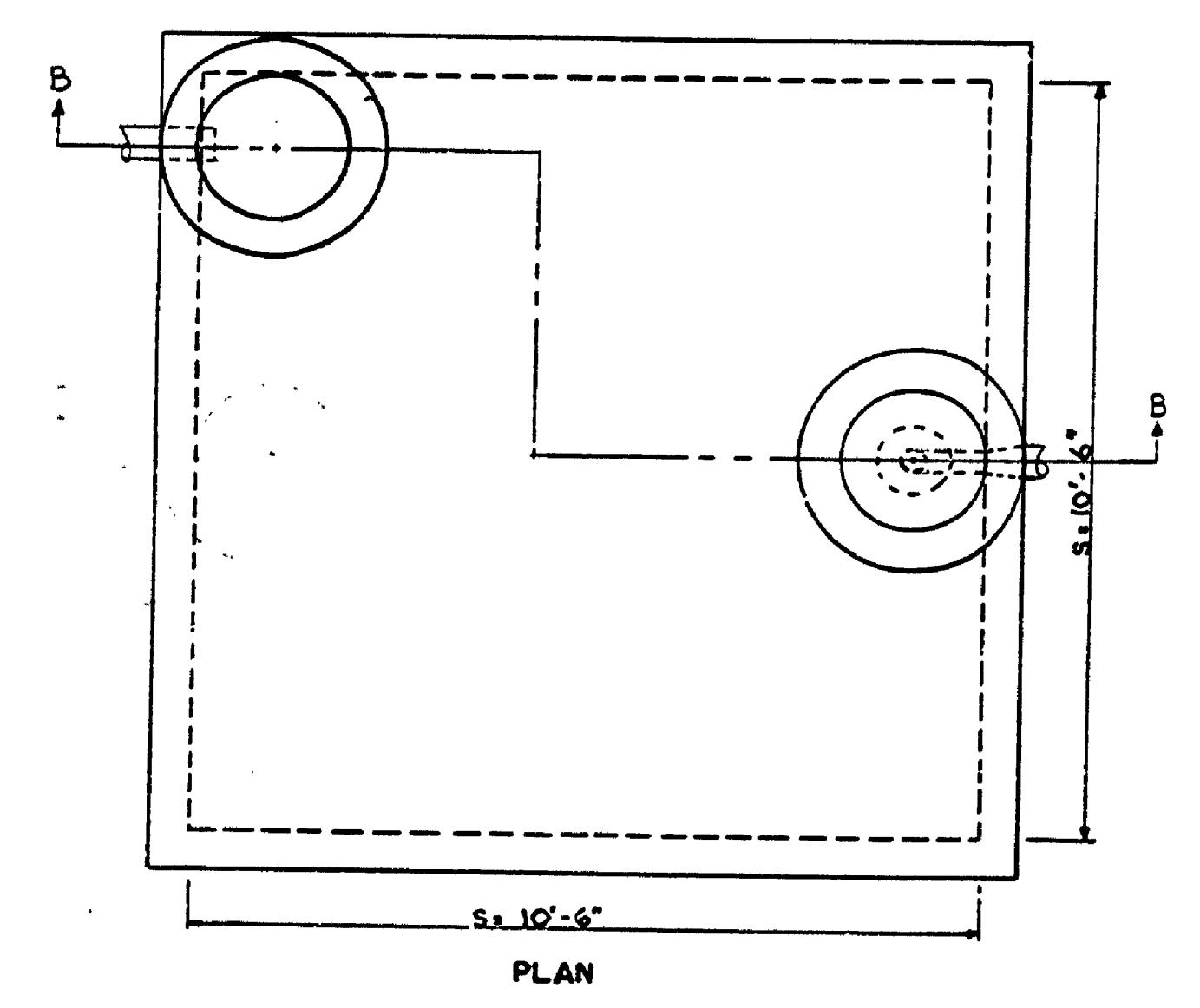
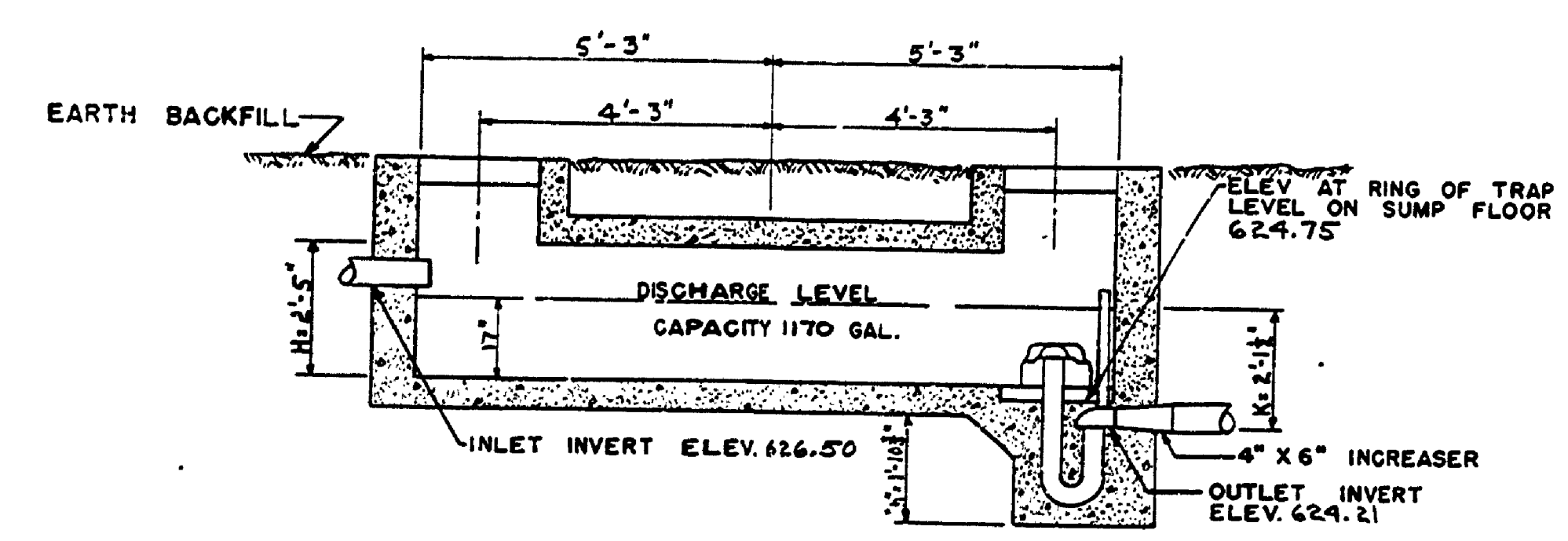


DRAWN BY B.H.G.	CHECKED BY E. J.P.	DATE 23 July, 1954	REVIEWED BY SECTIONS			APPROVED BY <i>[Signature]</i>	DATE 9-2-54	ARCHITECTURAL J.J.R.	ENGINEERING H.C.M.	LANDSCAPE J.J.R.	NO. DATE	BY	REVISIONS	DATE BY
			1	2	3									
			4	5	6									

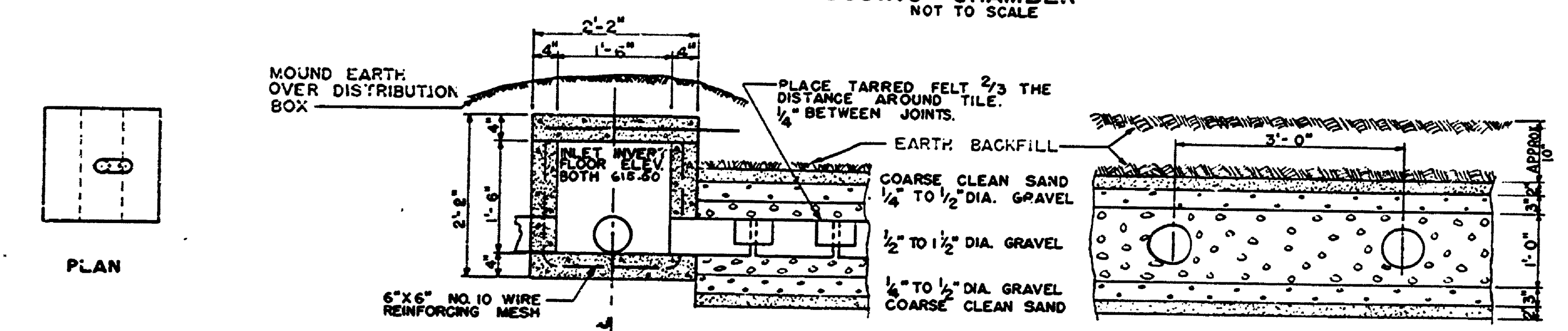


PLAN

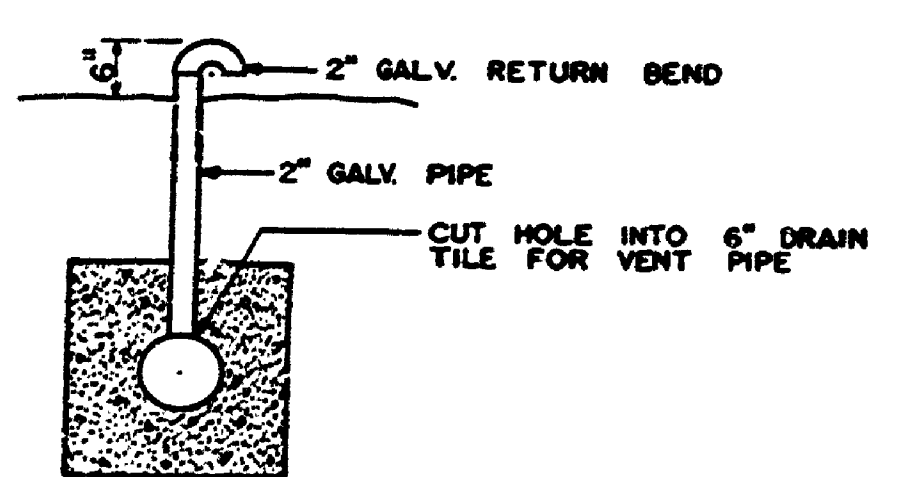
NOTES FOR DOSING CHAMBER
SEE PLAN NO. SE-119 FOR STEEL REINFORCING DETAILS AND DETAIL DIMENSIONS OF DOSING CHAMBER WITHOUT BEAM.
USE 4" SIPHON WITH 1" DRAWDOWN.
USE S=10'-6", M=2'-5", K=2'-1 1/2", H=1'-10 1/2"



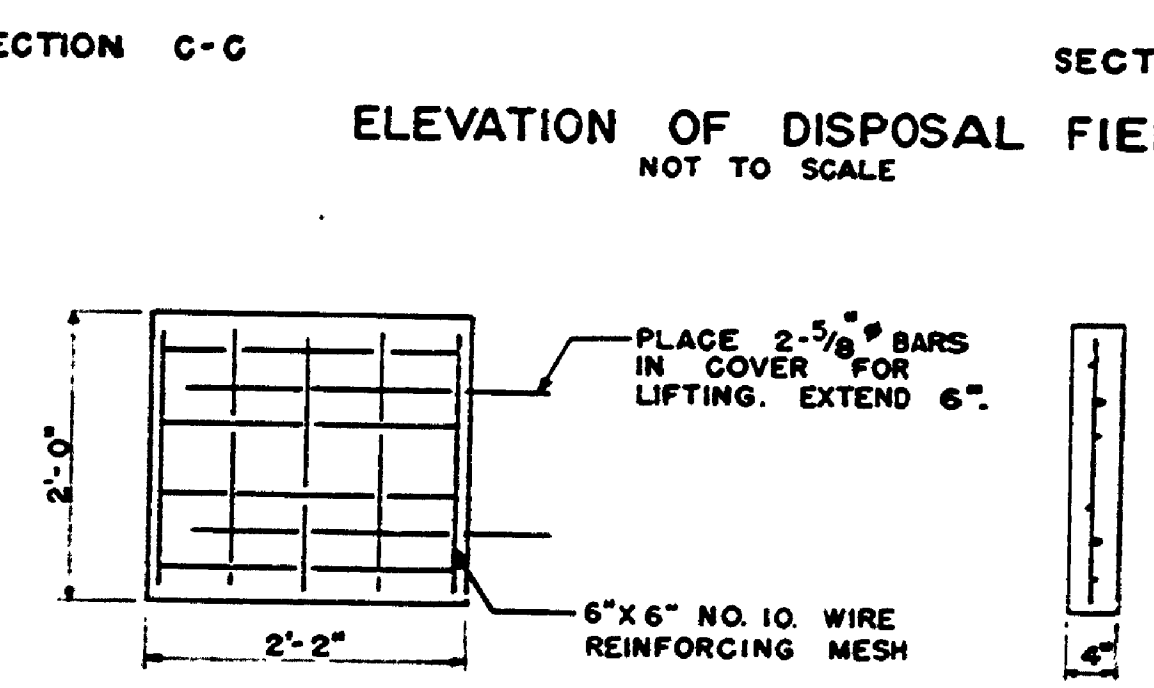
SECTION B-B



DOSING CHAMBER NOT TO SCALE



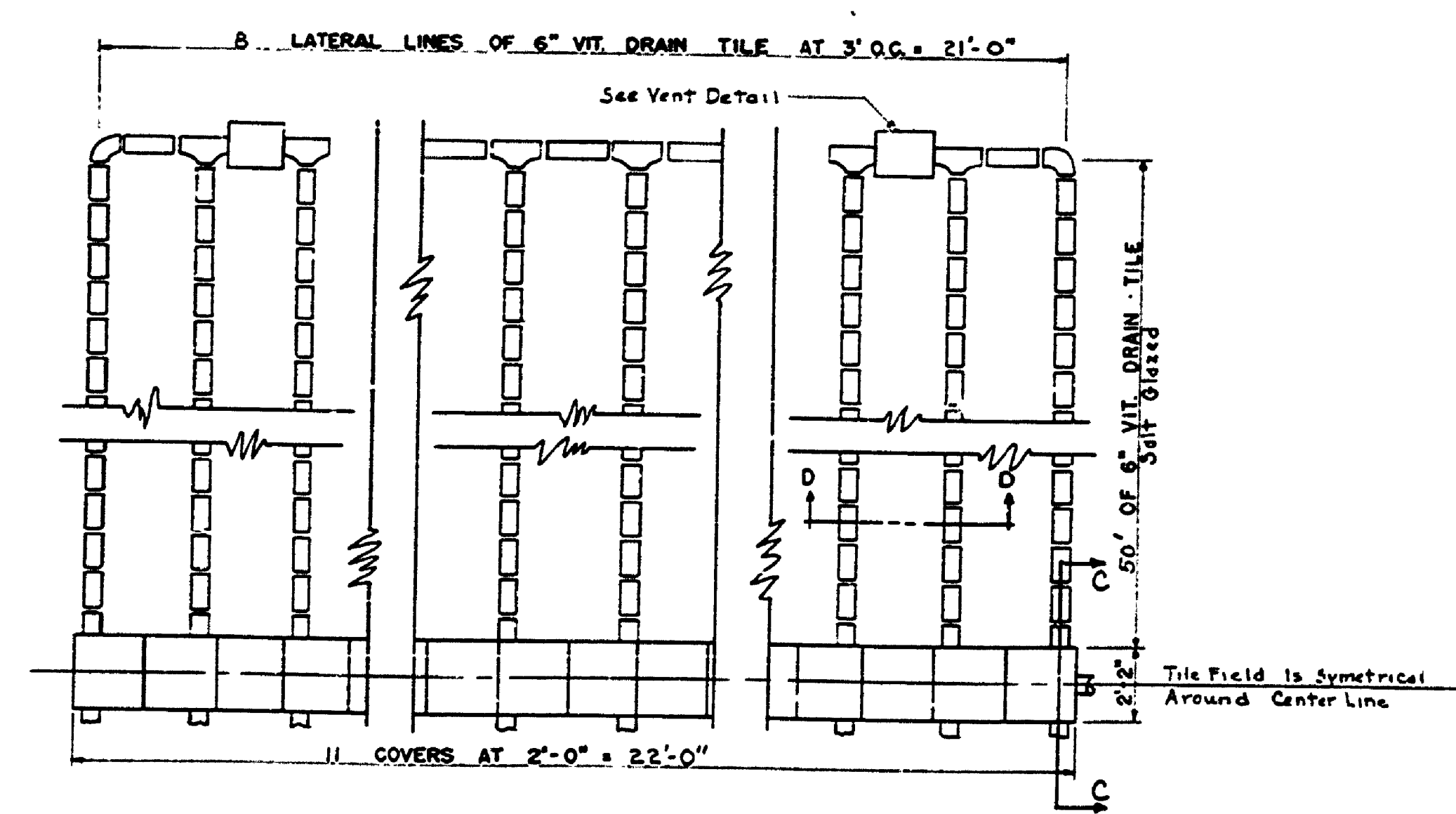
SECTION VENT DETAIL NOT TO SCALE



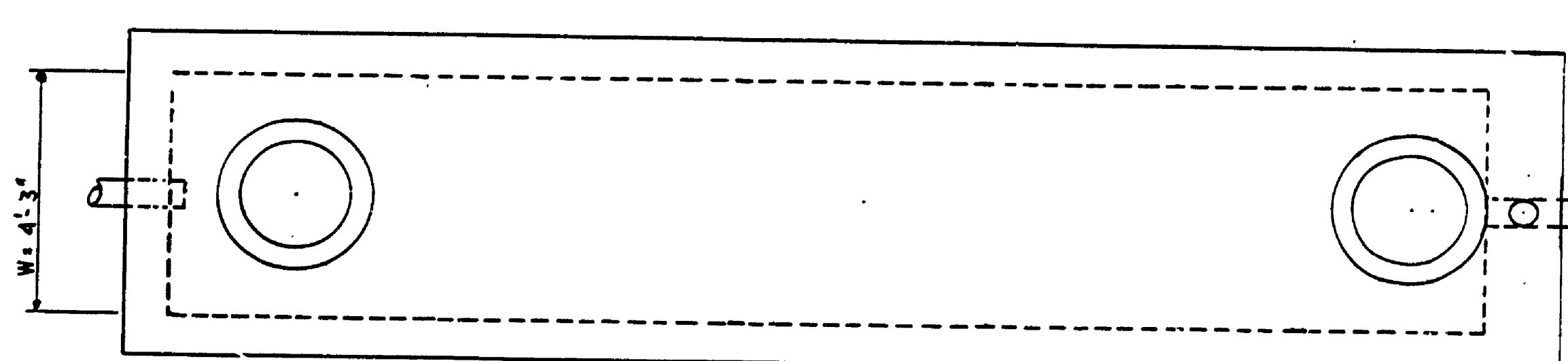
ELEVATION OF DISPOSAL FIELD NOT TO SCALE



DISTRIBUTION BOX COVER NOT TO SCALE

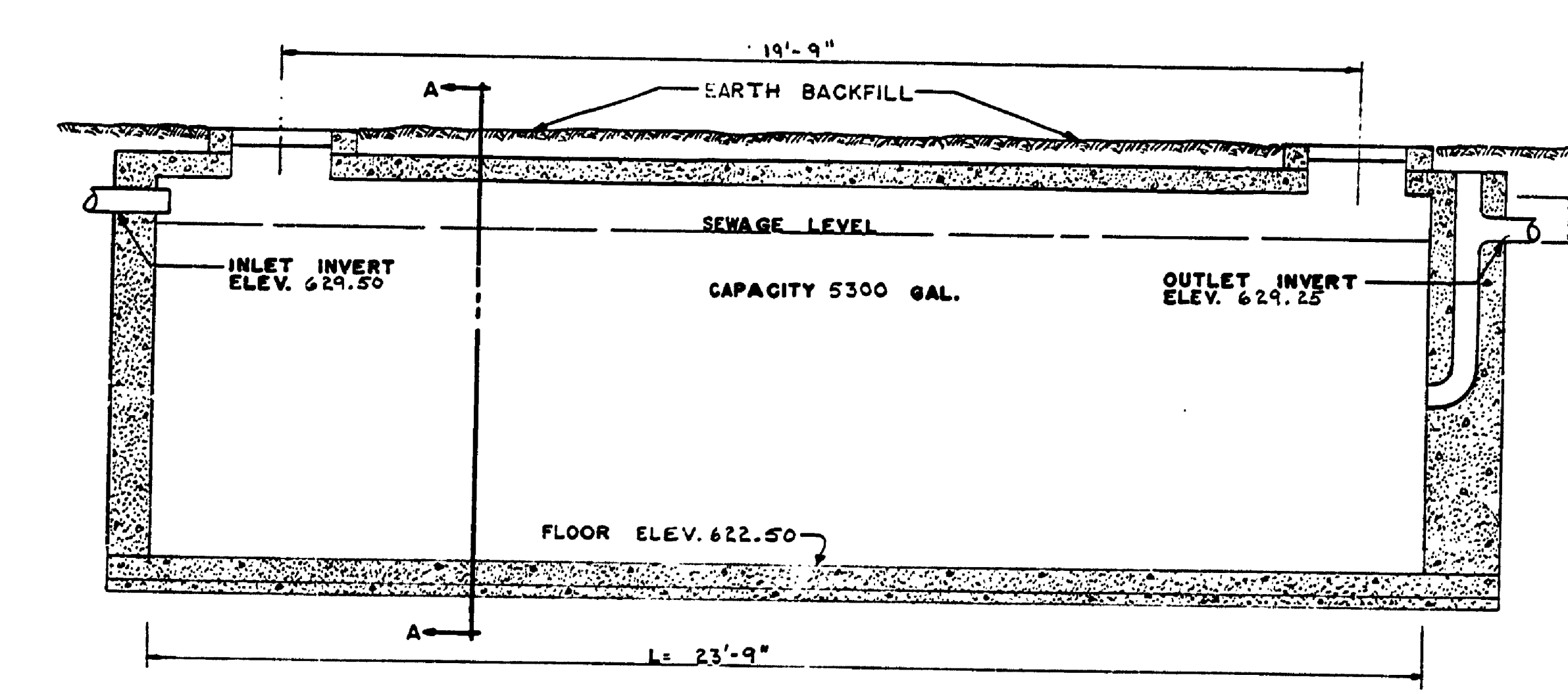


PLAN DISPOSAL FIELD NOT TO SCALE

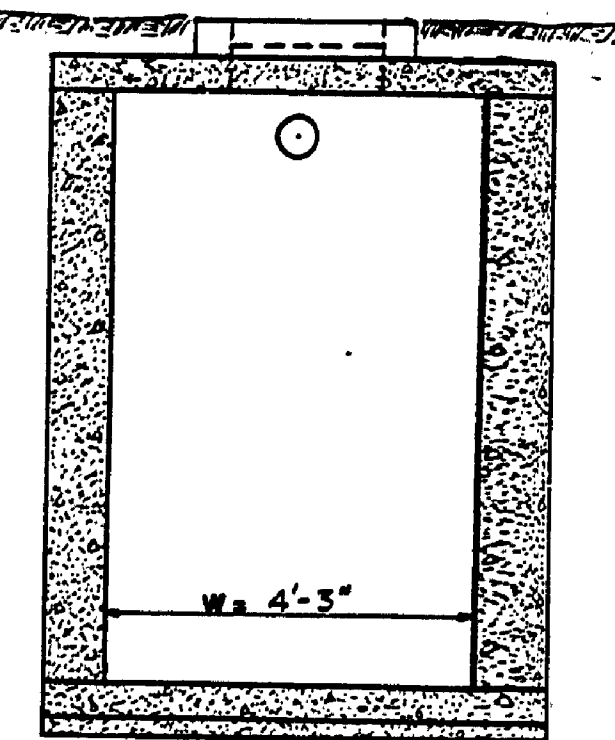


PLAN

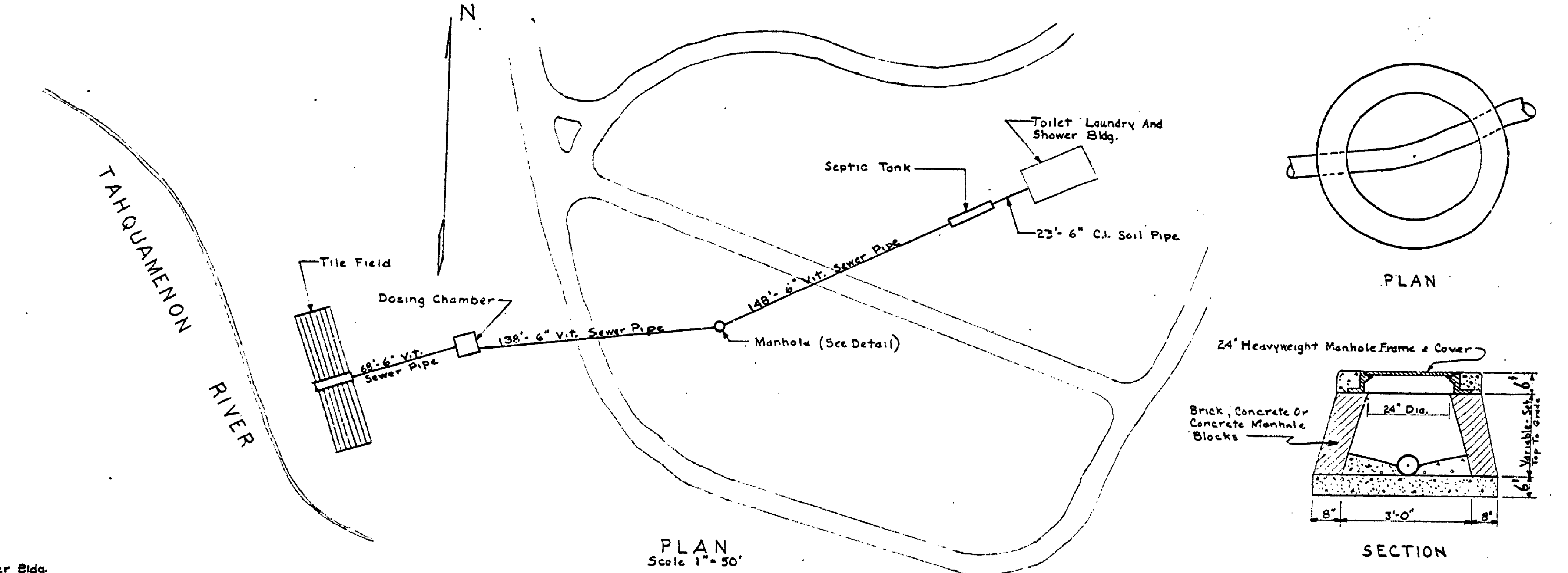
NOTES FOR SEPTIC TANK
SEE PLAN NO. SE-121 FOR STEEL REINFORCING DETAILS AND DETAIL DIMENSIONS.
USE L=23'-9", W=4'-3", H=1'-0"



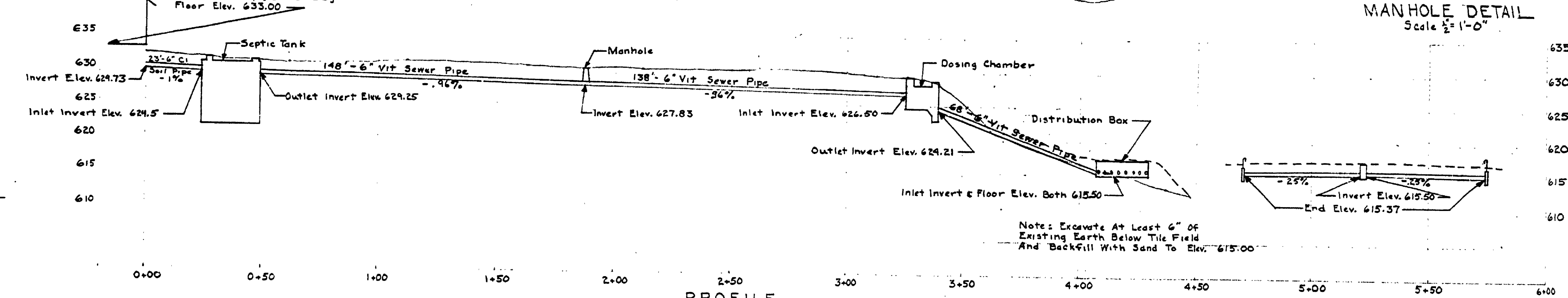
LONGITUDINAL SECTION SEPTIC TANK NOT TO SCALE



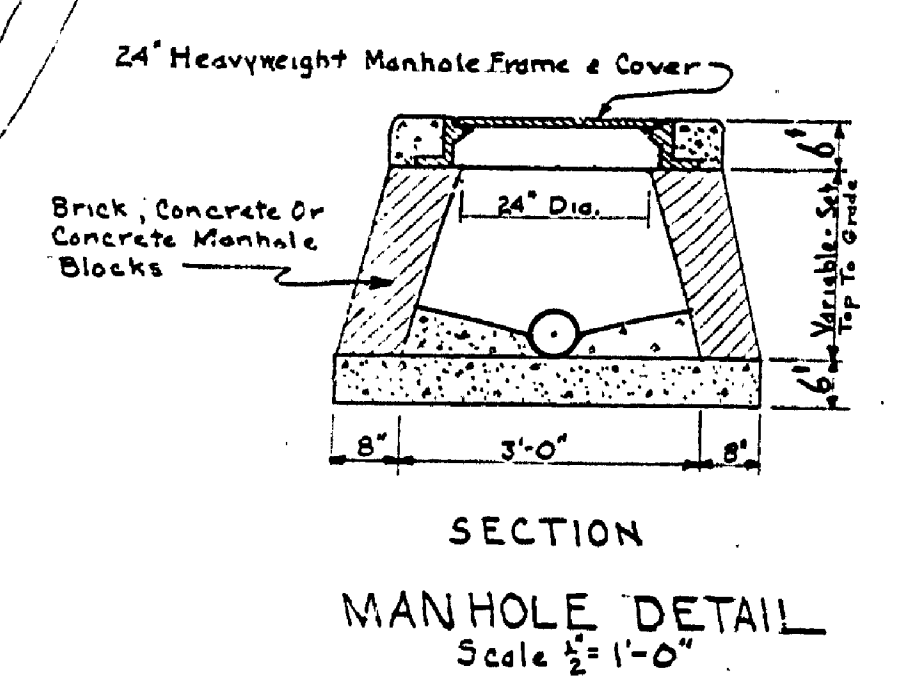
SECTION A-A



PLAN Scale 1"=50'



PROFILE Scale: Hor. 1"=30', Ver. 1"=10'



SECTION MANHOLE DETAIL Scale 1/2"=1'-0"