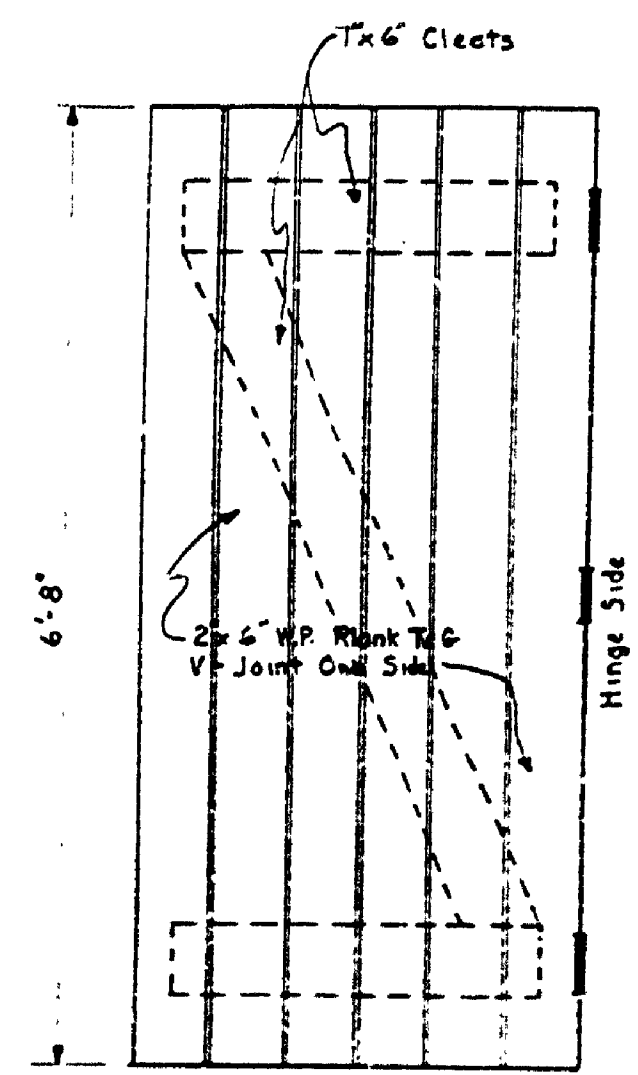
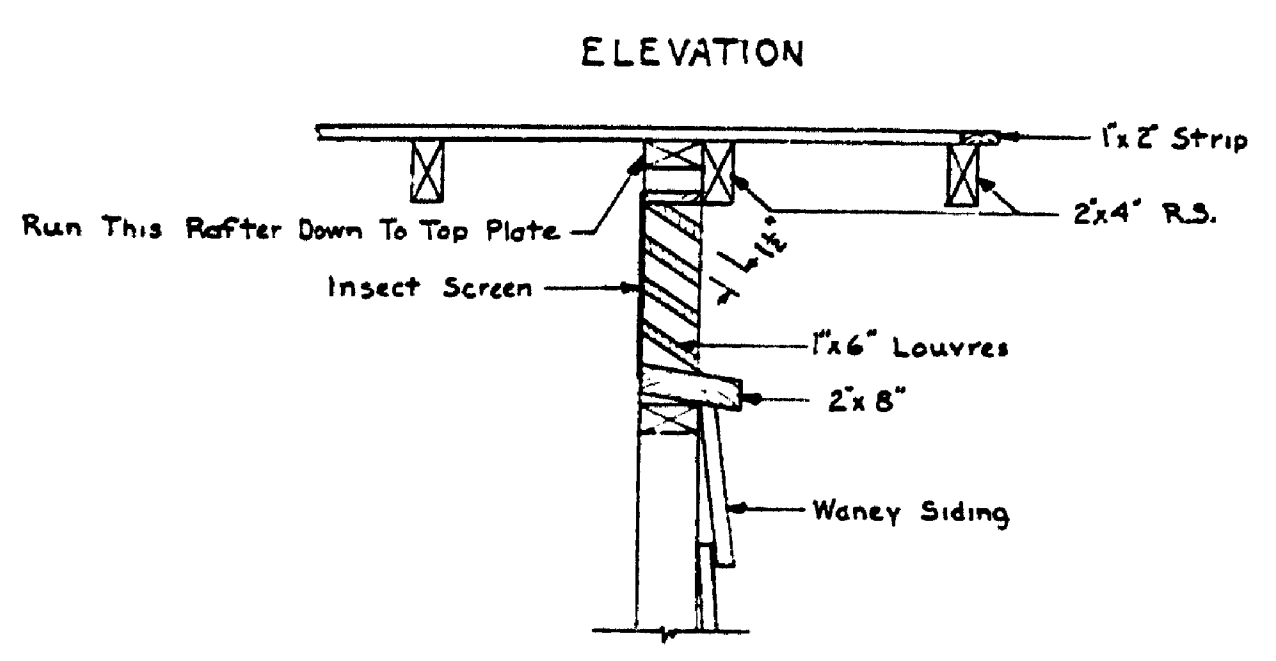
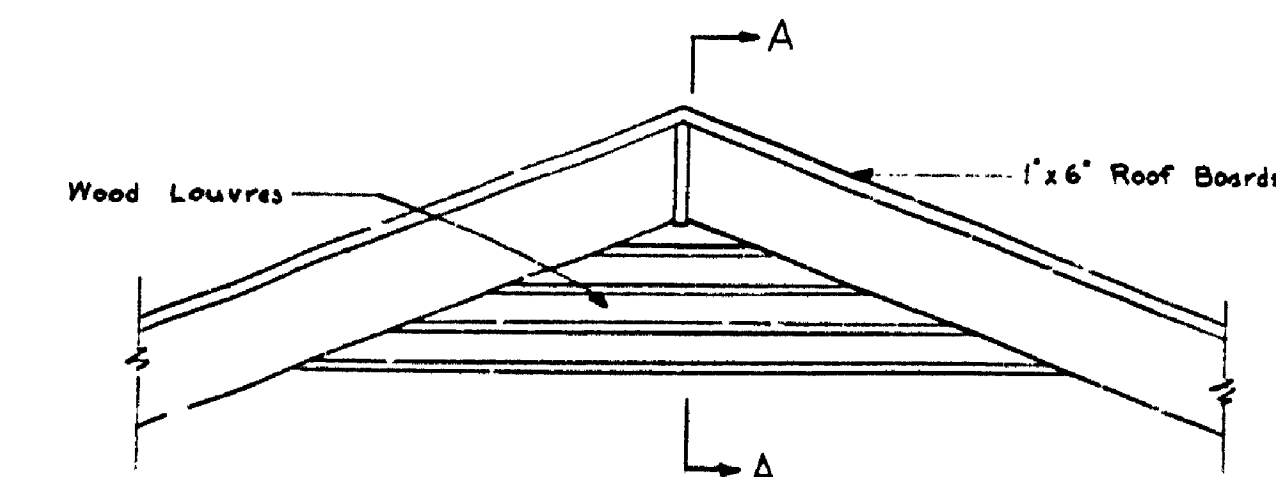


DRAWN BY S.H.G.	CHECKED BY E. J. P.	REVIEWED BY SECTIONS		APPROVED BY		NO.	DATE	BY	REVISIONS				
		ARCHITECTURAL	J.R.	11-2-34	S.H.G.					11-2-34	1	1	1
		ENGINEERING	H.C.H.	2-20-35							2	2	2
LANDSCAPE	V.R.	4-23-35	OF DESIGN	DATE	3	3	3	3					

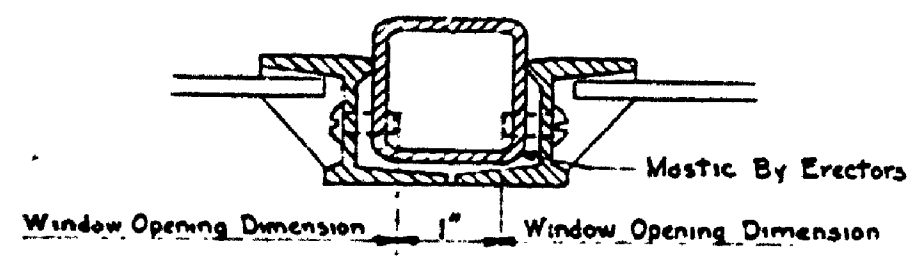
NOTE: One Way Deadlock-Schlage # B 261 P
Extra Heavy Thumb Latch Dead
Black Finish Wrought Steel - Stanley
#1243
Extra Heavy Tee Hinge Dead Black
Finish - Stanley # SC-466 J-10"



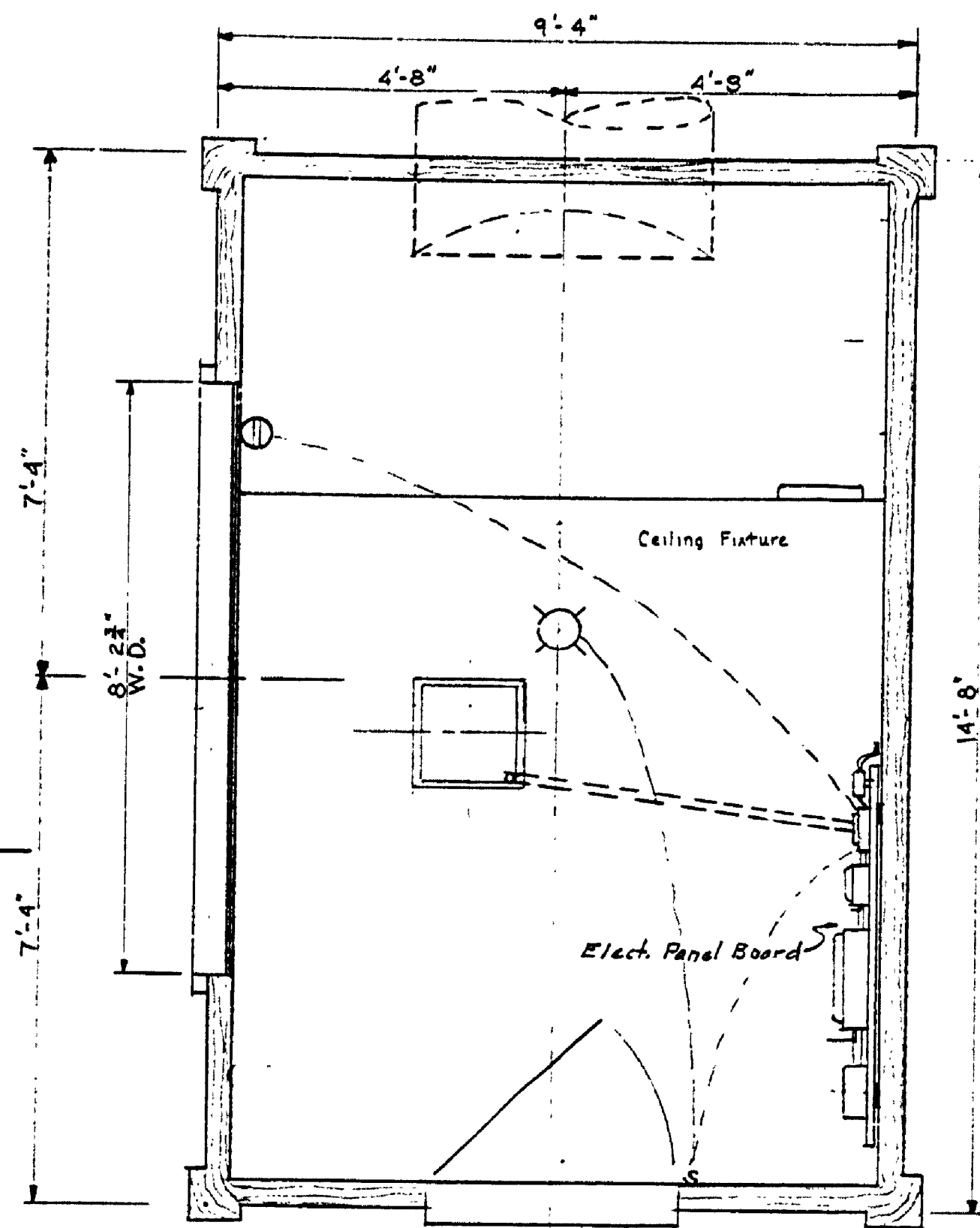
DOOR DETAIL
Scale 1/2"=1'-0"



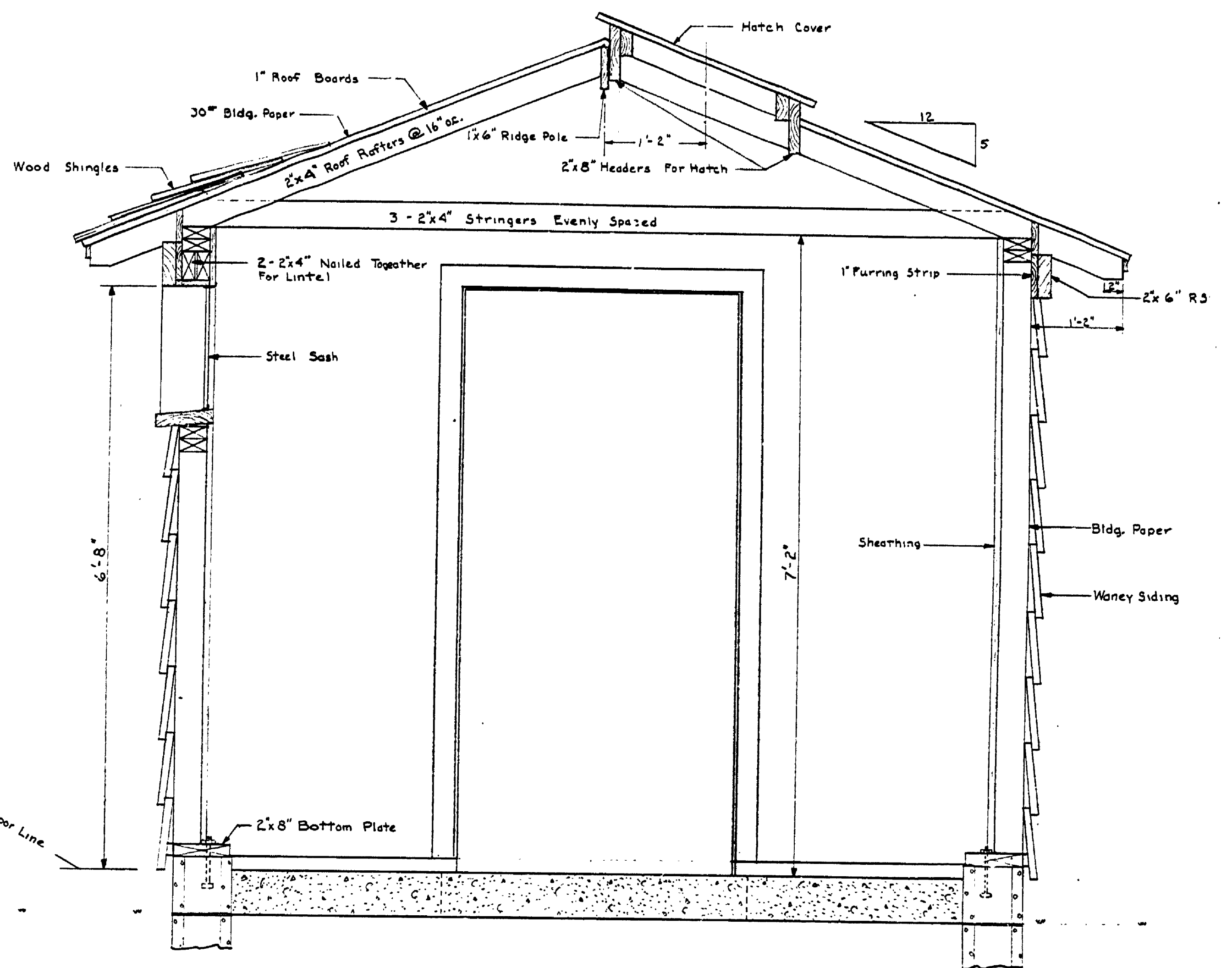
SECTION A-A
LOUVRE DETAIL
Scale 1"=1'-0"



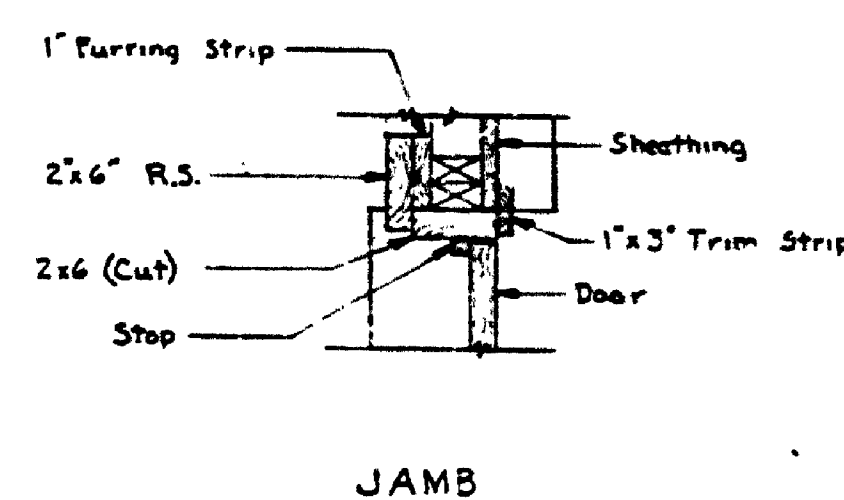
VERTICAL MULLION
Half Size



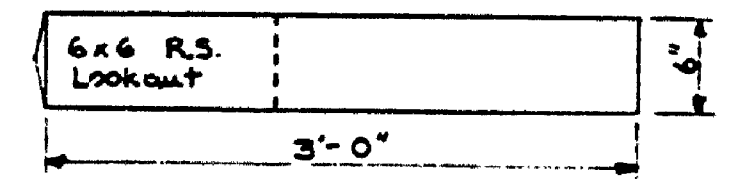
FLOOR PLAN
Scale 1/2"=1'-0"



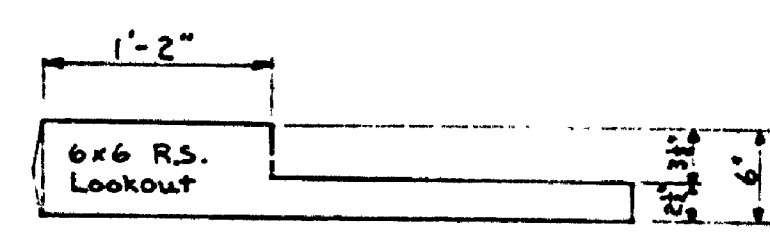
TYPICAL SECTION B-B
Scale 1"=1'-0"



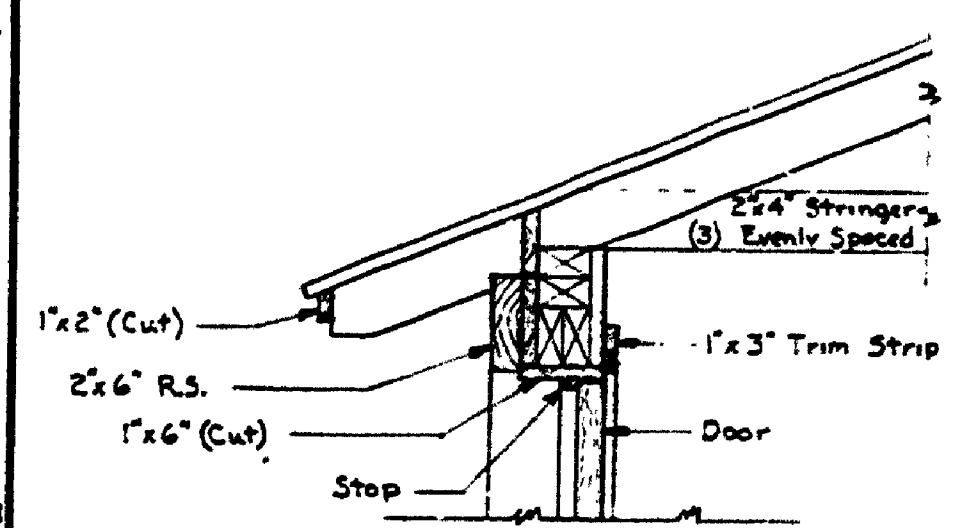
JAMB



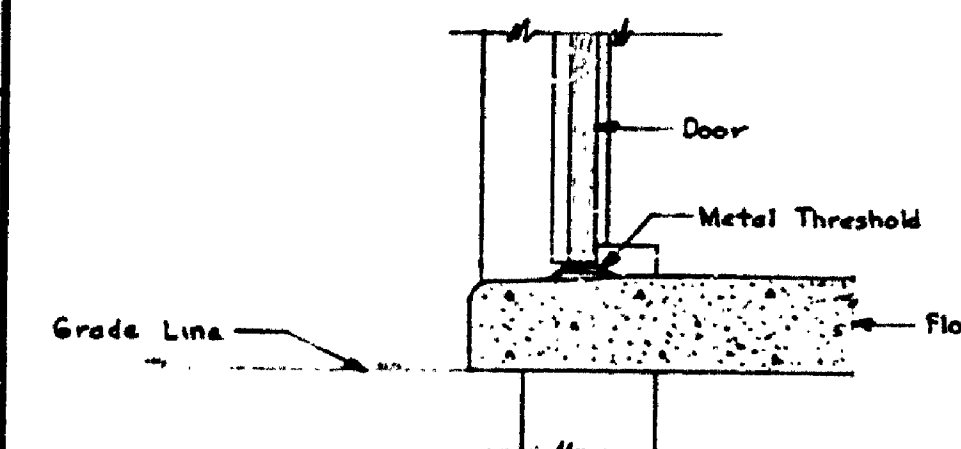
PLAN



ELEVATION
6x6 DUMMY LOOKOUT
Scale 1"=1'-0"

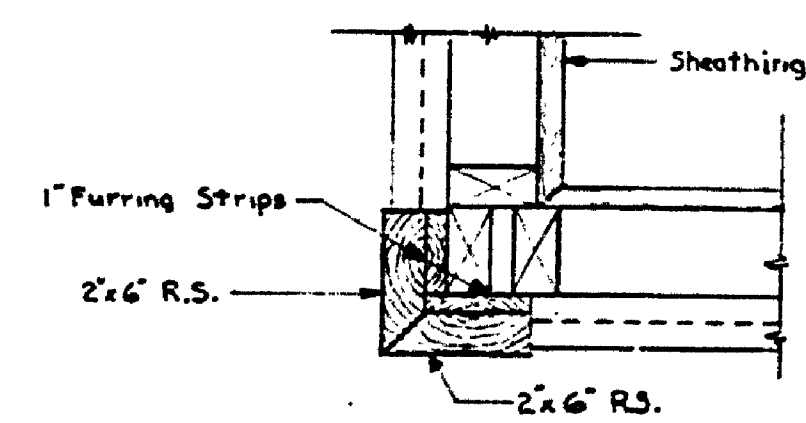


HEAD

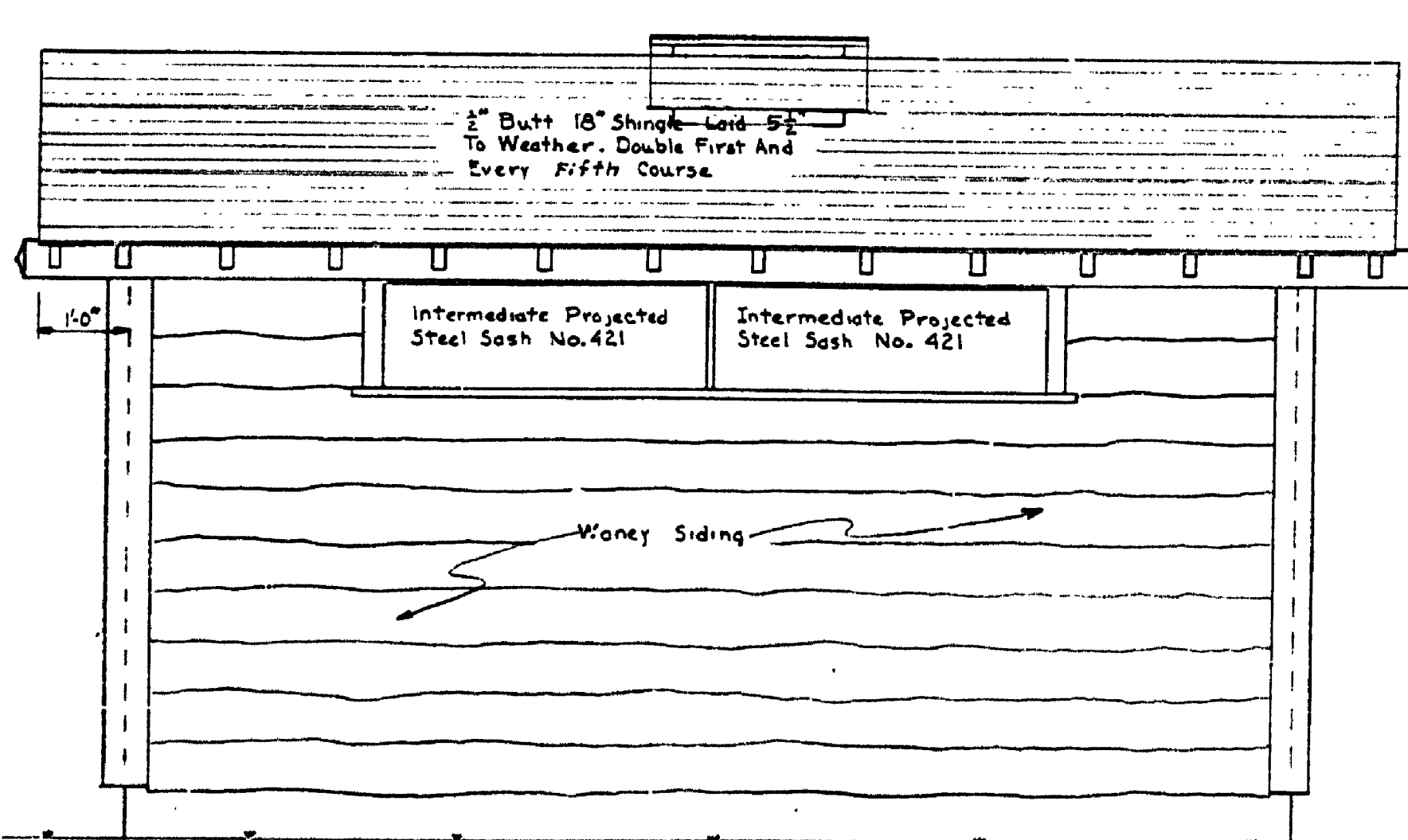


SILL

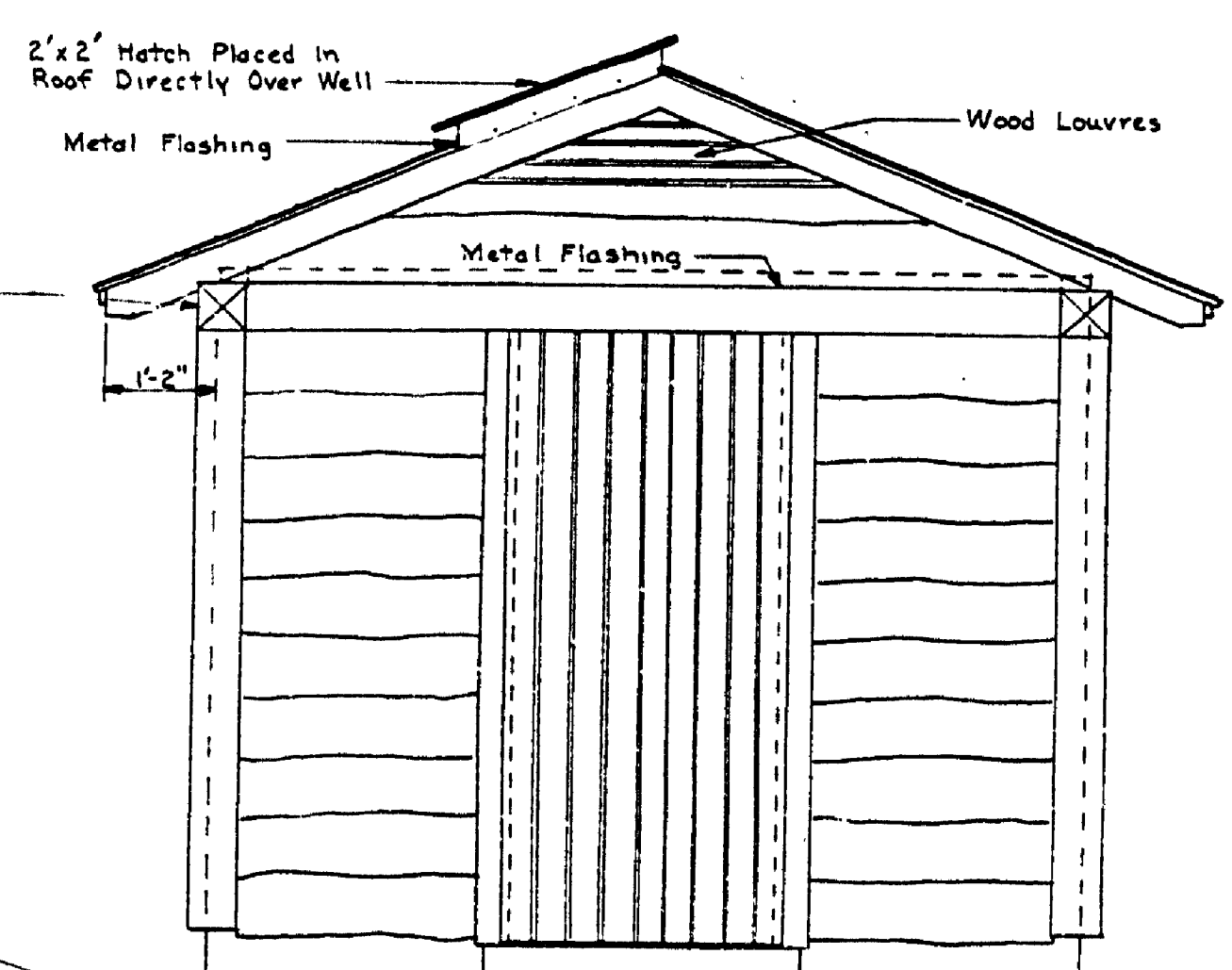
DOOR FRAMING DETAILS
Scale 1"=1'-0"



CORNER POST DETAIL
Scale 1 1/2"=1'-0"



SIDE ELEVATION
Scale 1/2"=1'-0"



END ELEVATION
Scale 1/2"=1'-0"

PUMPHOUSE ARCHITECTURAL DETAILS

MICHIGAN
DEPARTMENT OF CONSERVATION
PARKS AND RECREATION DIVISION

TAHQUAMENON FALLS STATE PARK
LOWER FALLS CAMPGROUND
WATER SYSTEM
Scale As Shown

SHEET
NO. 3
OF 3
PLAN NO.
E-110