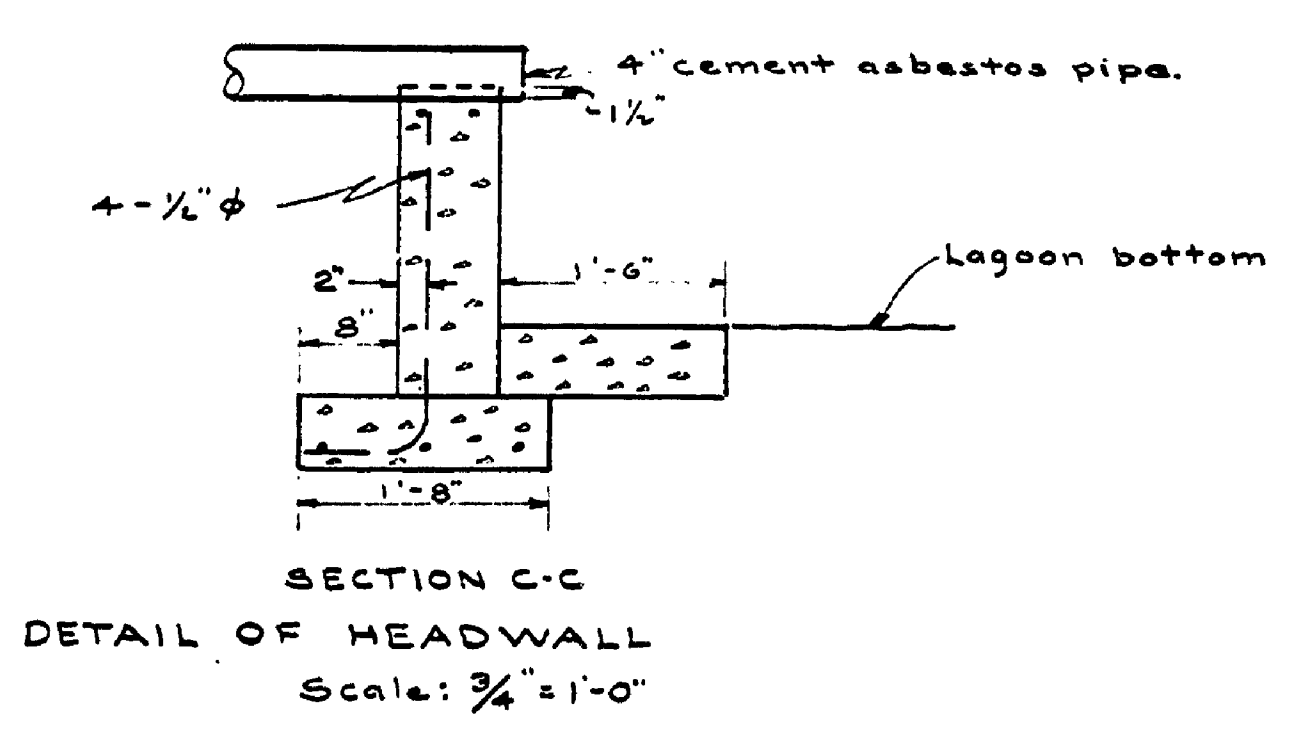
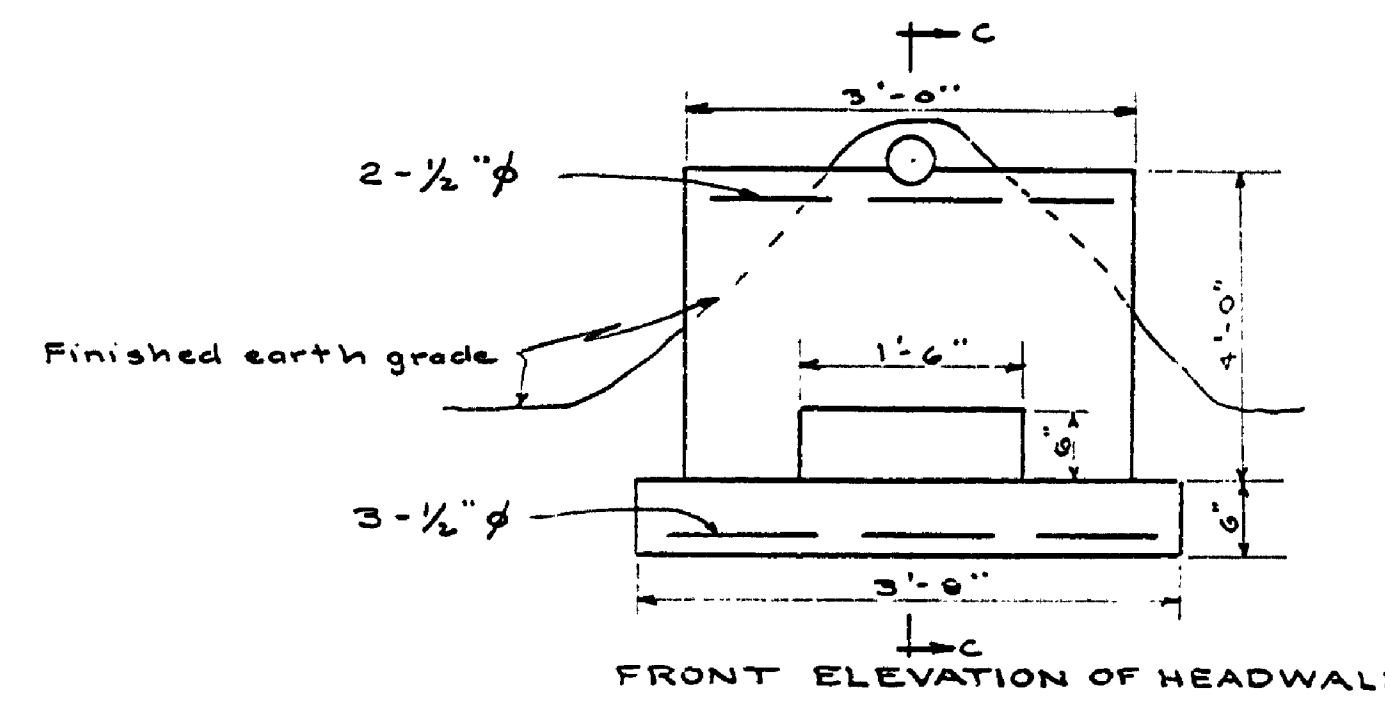
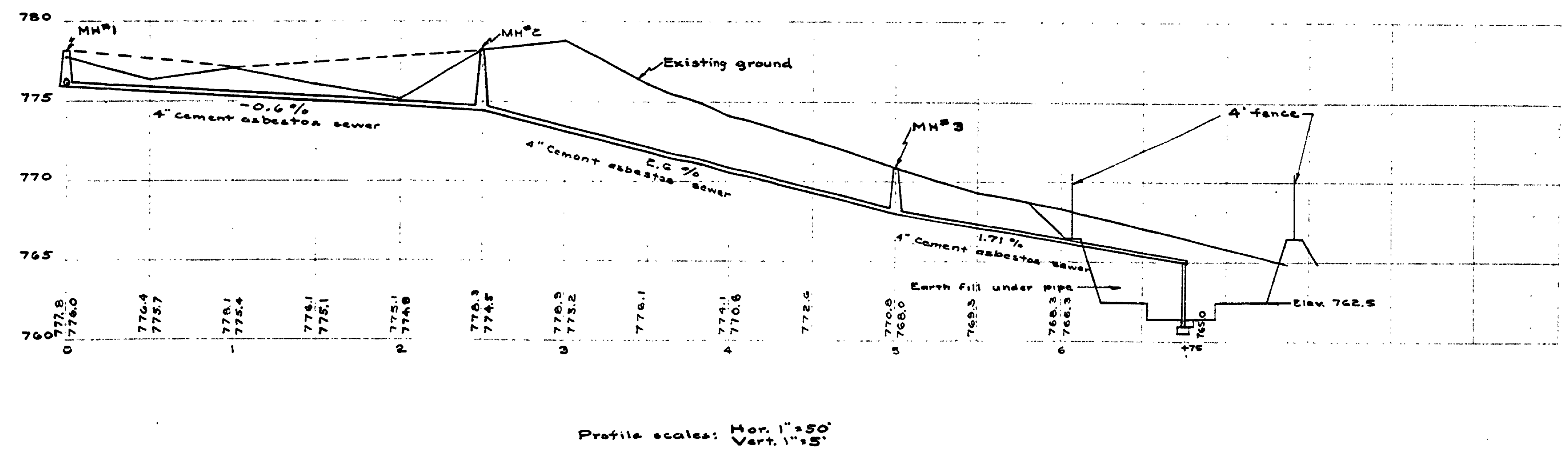
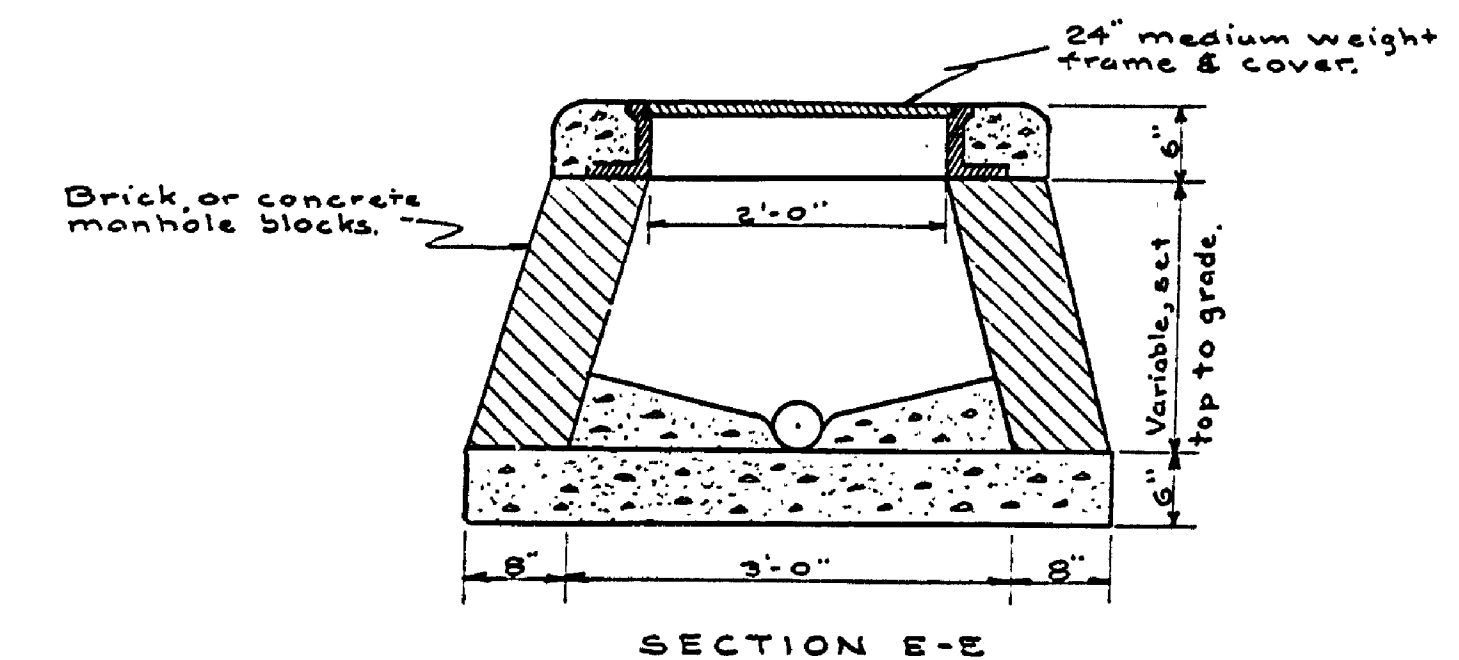
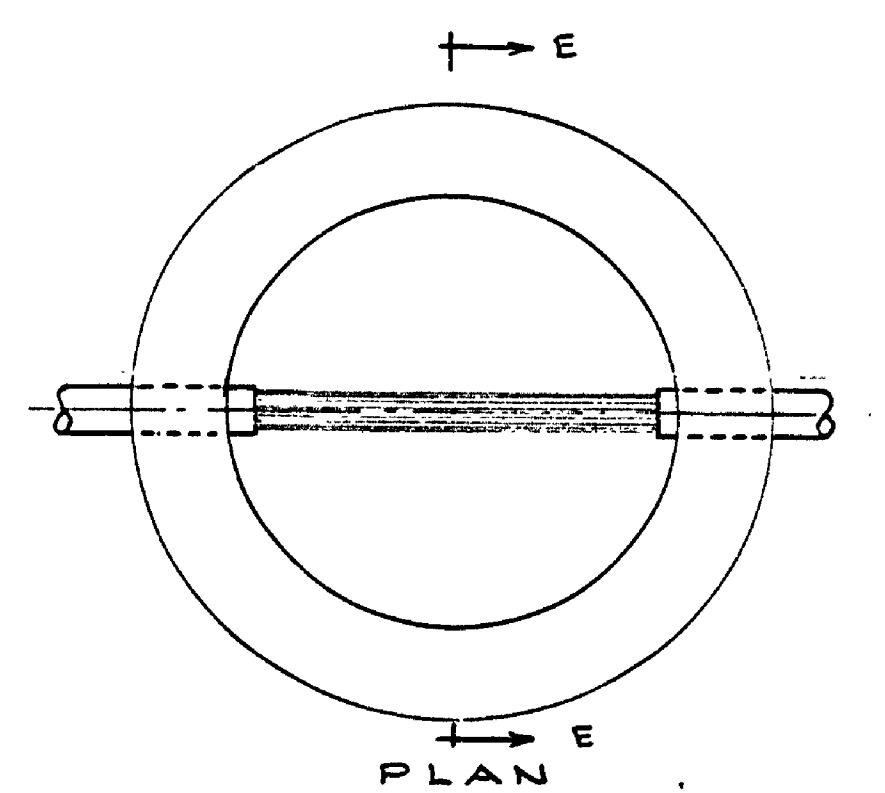
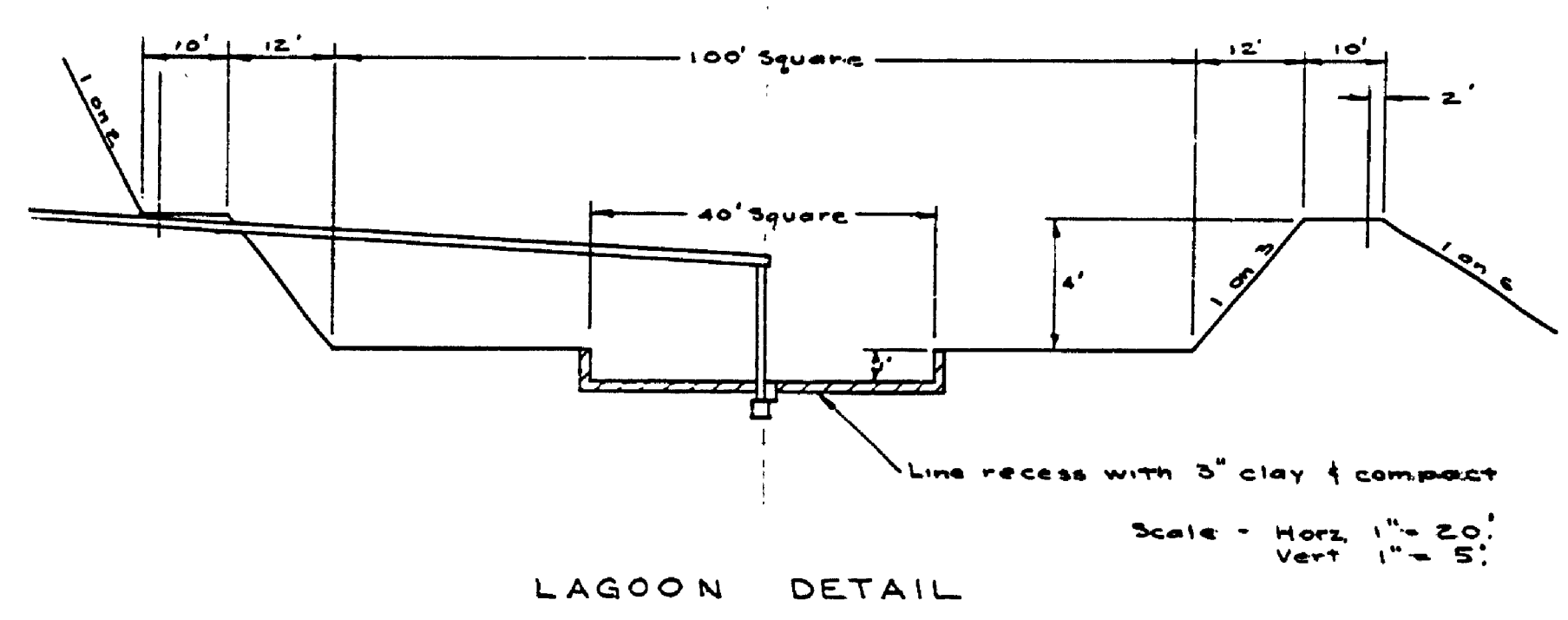
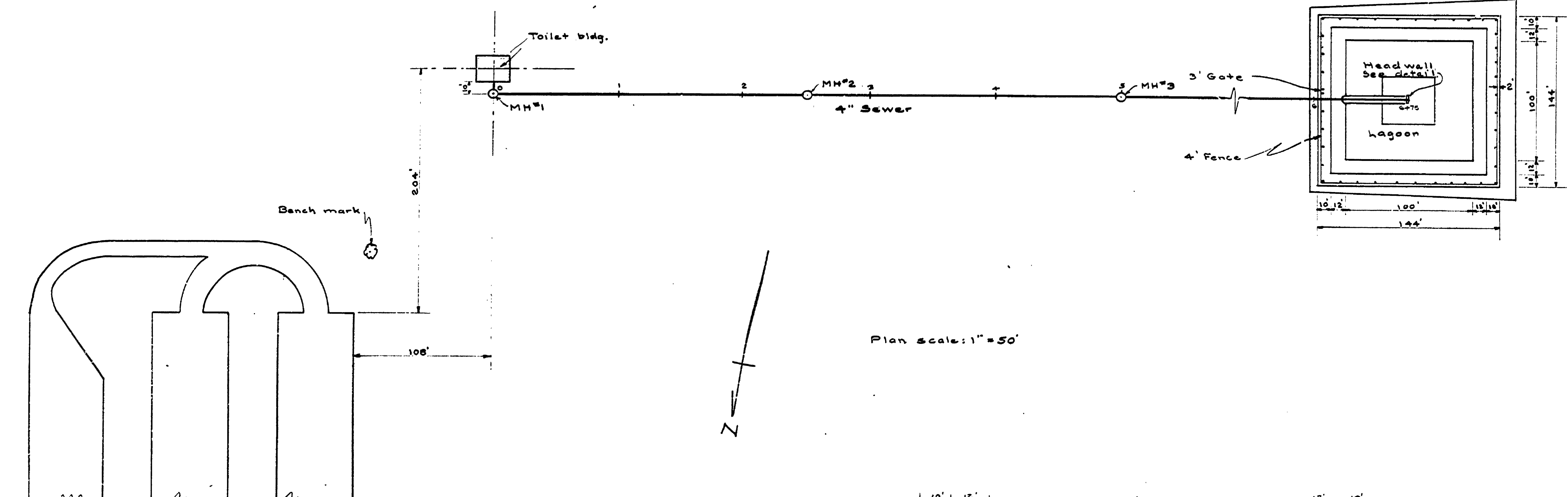


REVISIONS	NO.	DATE	BY
4			
5			
6			

REVIEWED BY SECTIONS	DATE	APPROVED BY
ARCHITECTURAL	3-10-66	<i>[Signature]</i>
ENGINEERING	3-10-66	ASSISTANT CHIEF IN CHARGE
LANDSCAPE	3-10-66	OF DESIGN

DATE	3 March 1966
CHECKED BY	E. J. P.
TRACED BY	K. E. G.

G.M. Elev. 777.07
 Spike in side of 12" Maple
 15' W. & 50' S. of S.W.
 corner of parking area.
 NOTE: Entrance road and parking
 area were constructed from
 old bench mark elevation.



MICHIGAN
 DEPARTMENT OF CONSERVATION
 PARKS AND RECREATION DIVISION

TAHQUAMENON FALLS STATE PARK
 UPPER FALLS TOILET BLDG.
 SEWAGE DISPOSAL SYSTEM
 SCALE: AS SHOWN

SHEET
 NO. 1
 OF 1
 PLAN NO.
 E-112