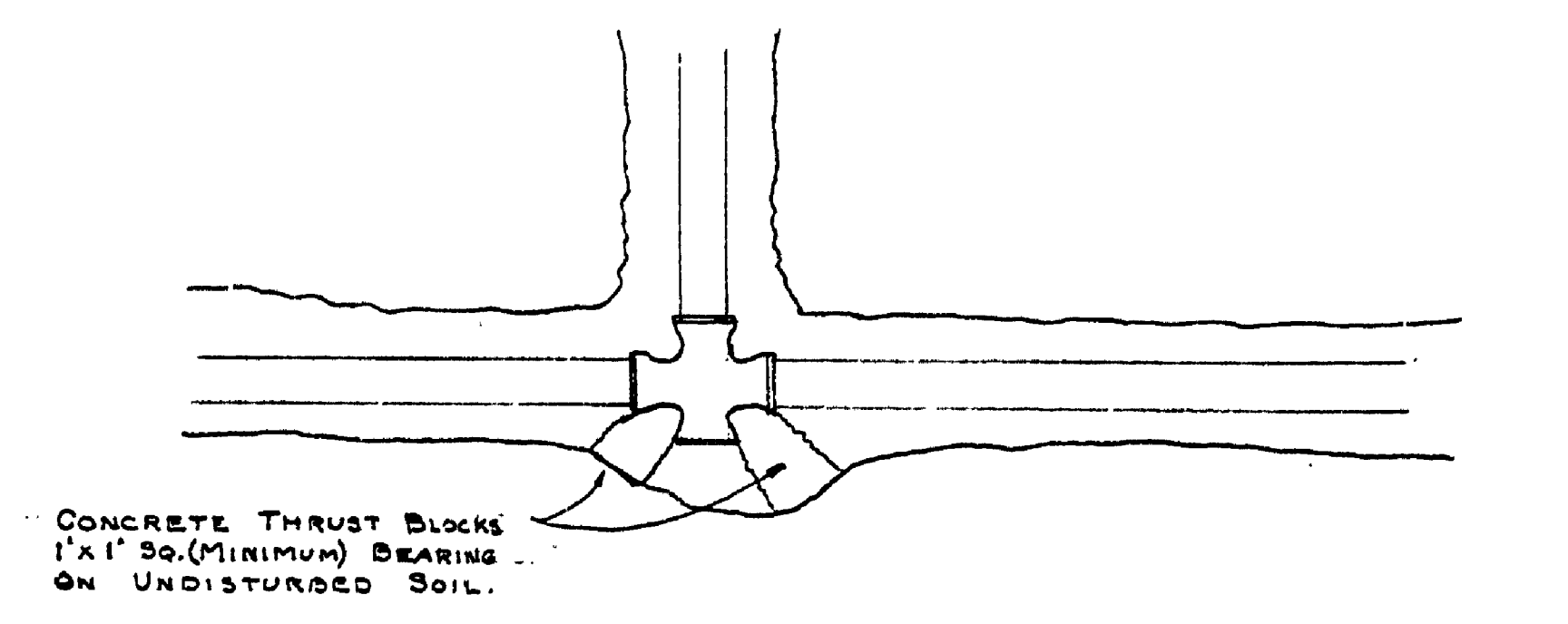
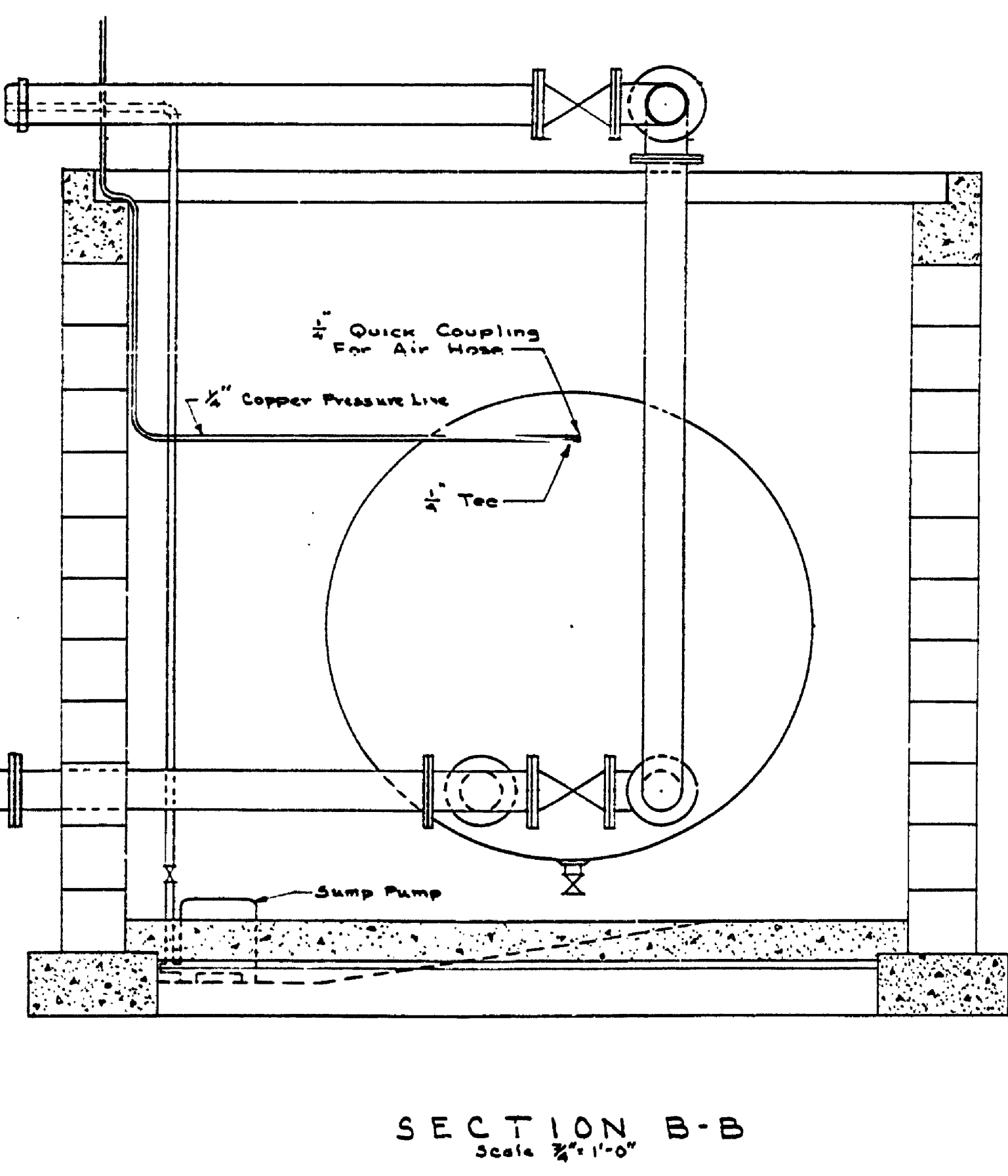
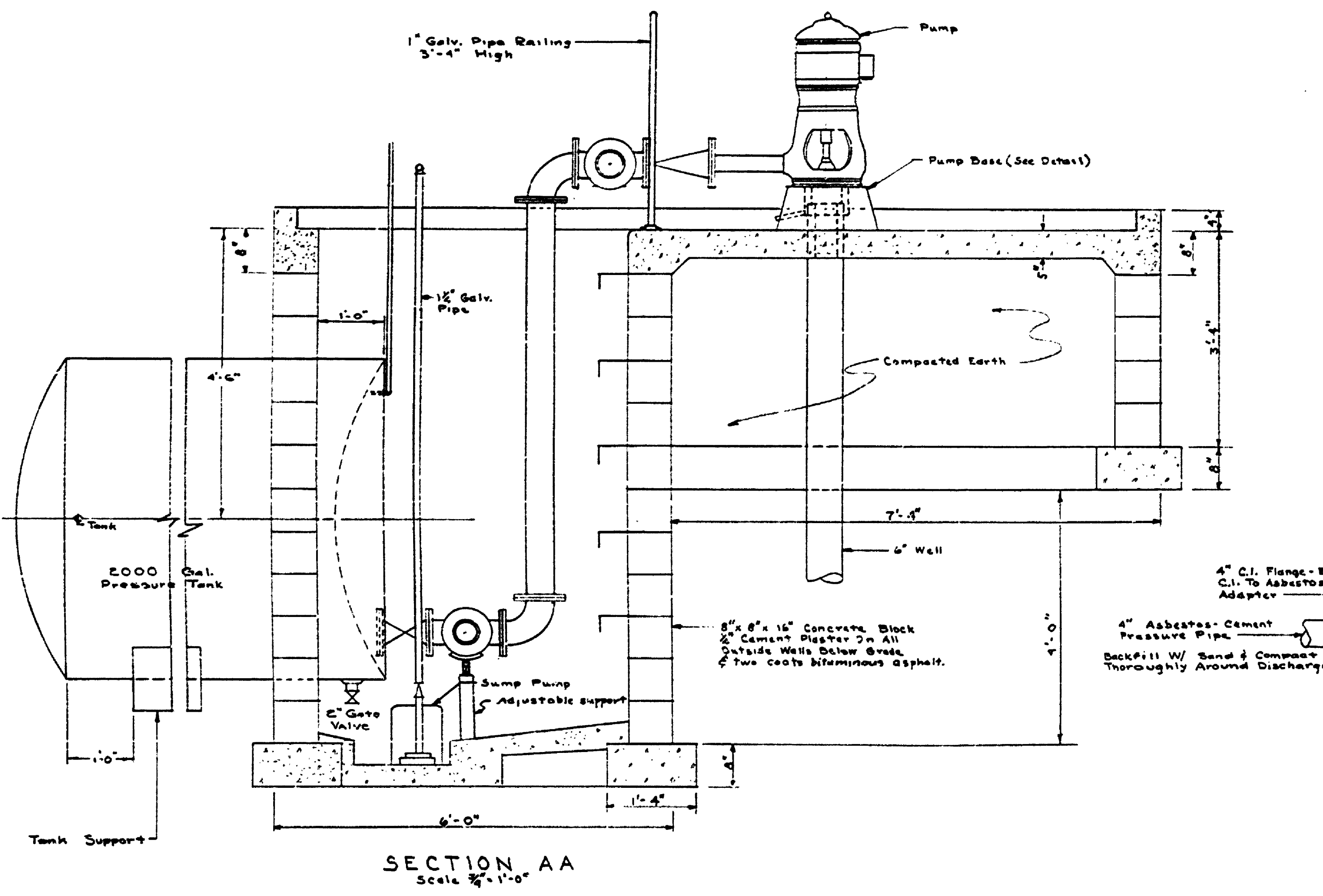
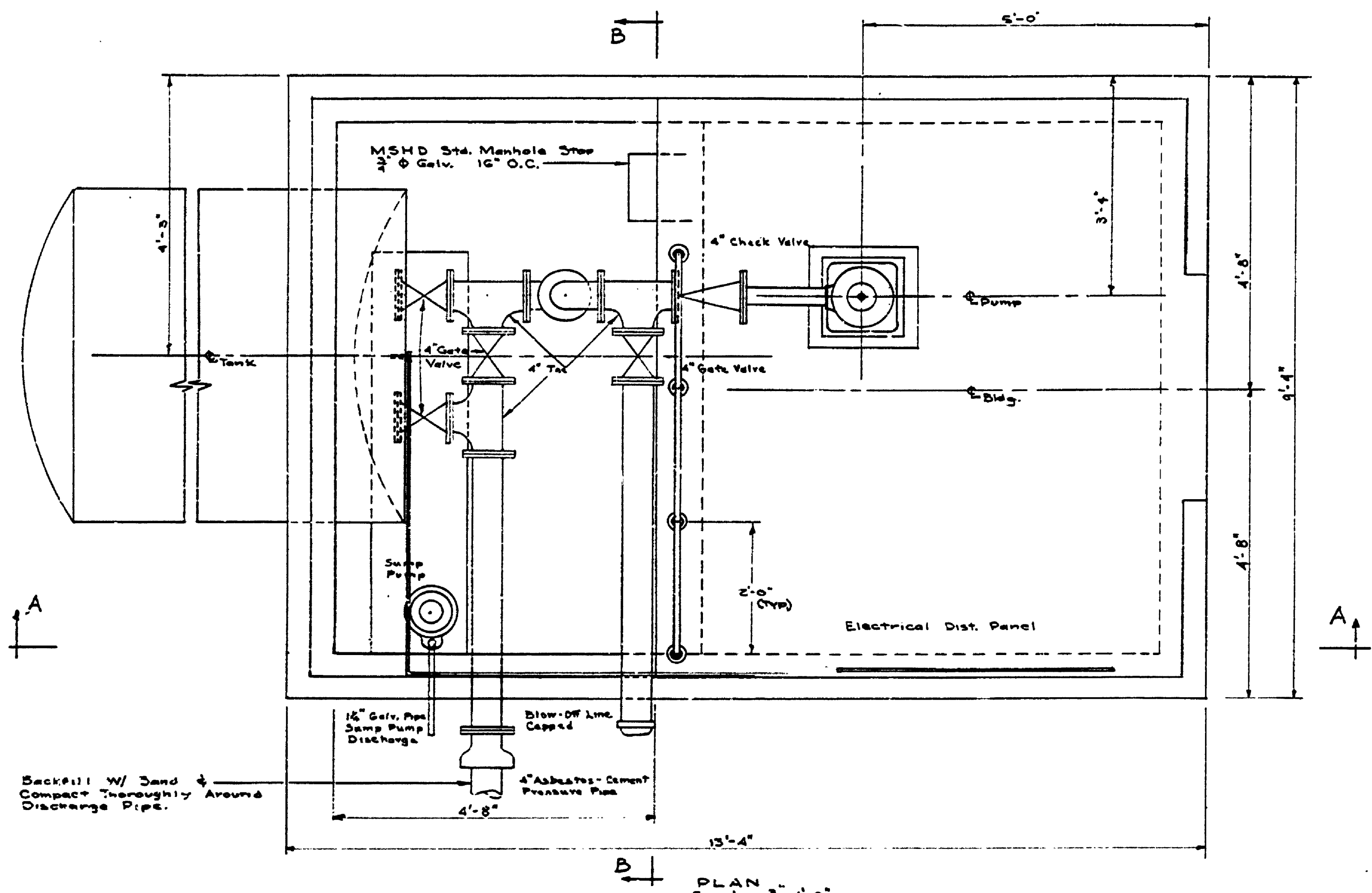
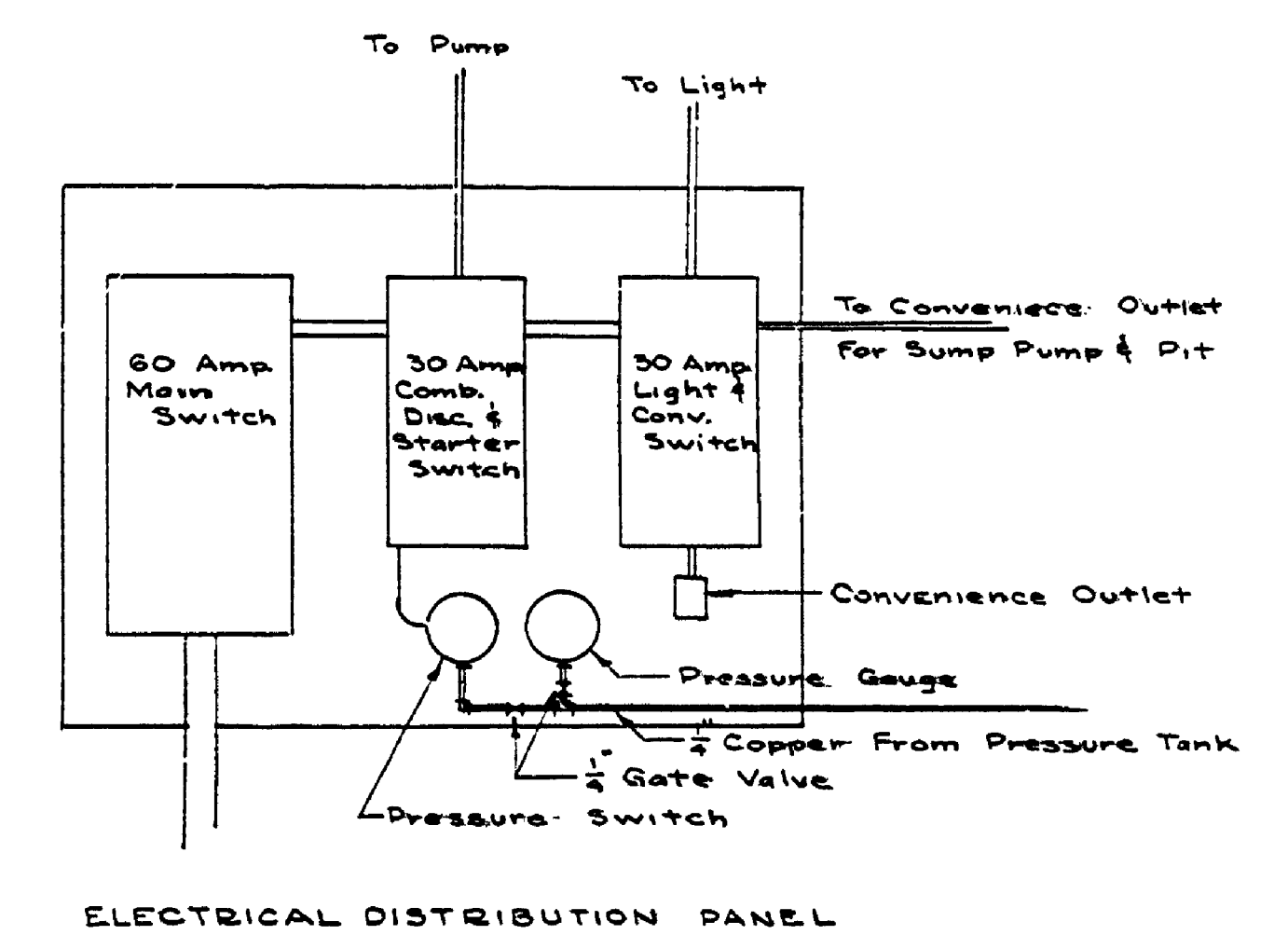
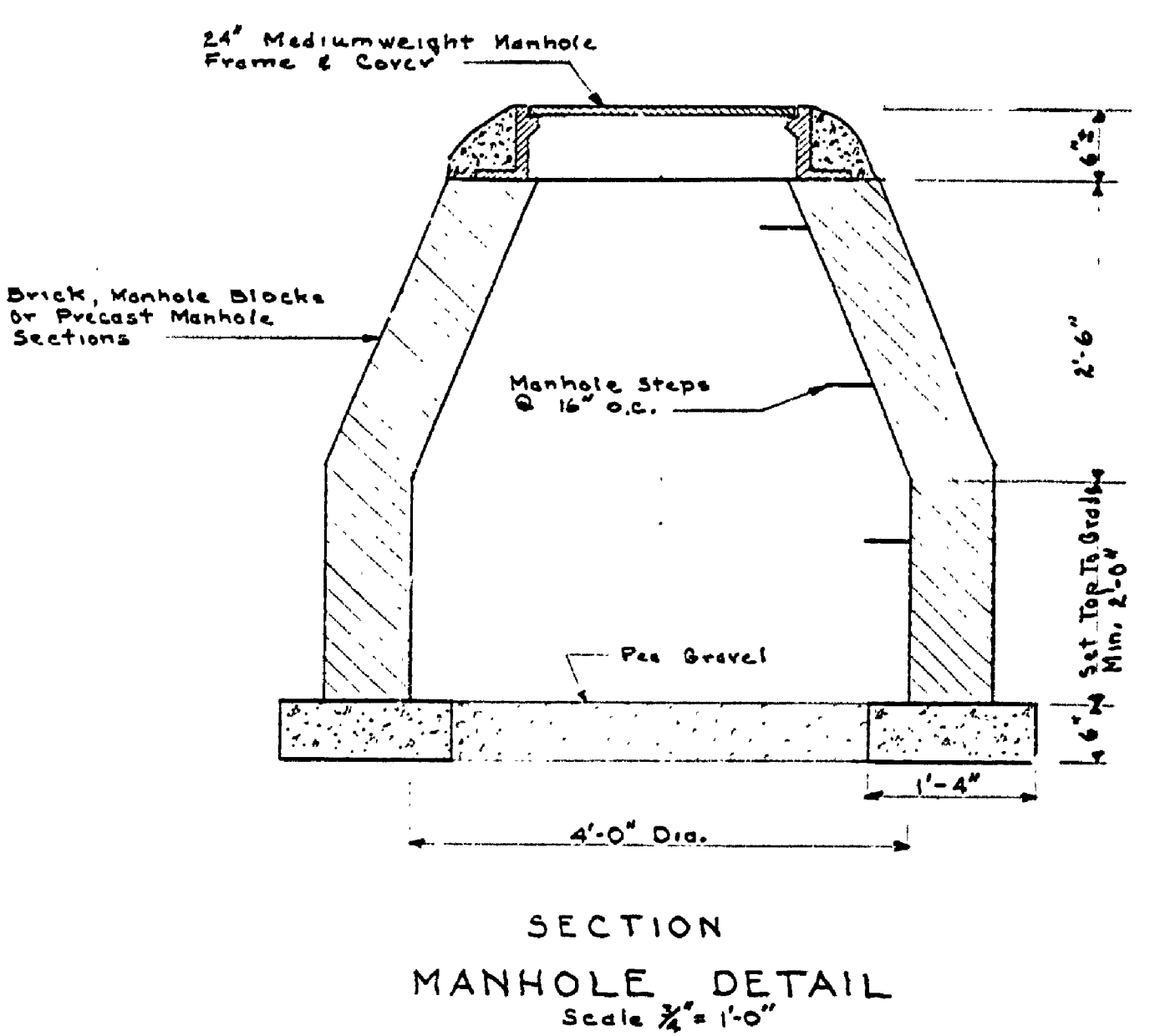


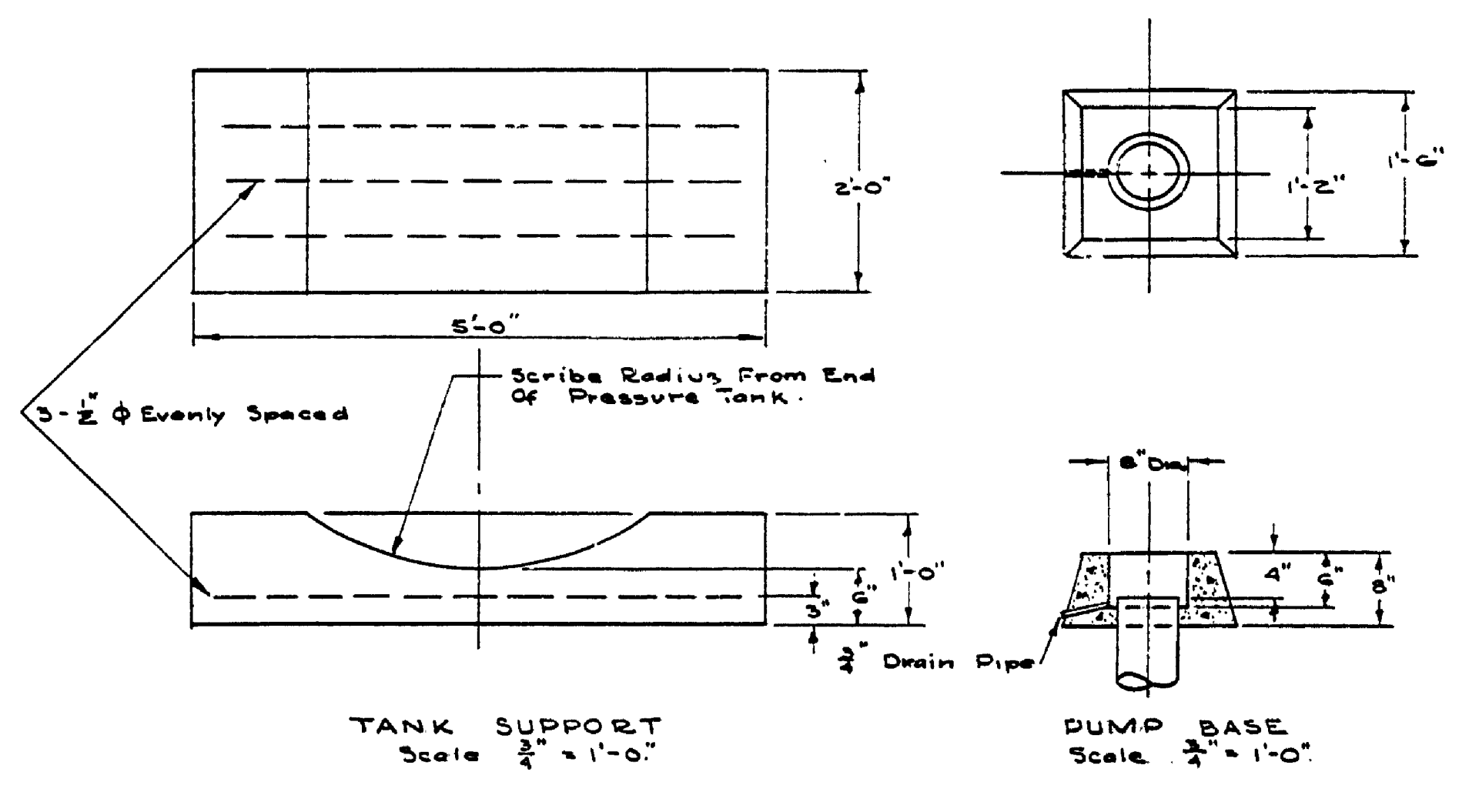
DESIGNED BY	DATE	REVIEWED	DATE	APPROVED	NO.	DATE	BY	REVISIONS	DATE	BY
B.H.G.	1-17-42	ARCHITECTURAL	6-24-42		1			4		
B.H.G.	2-20-42	ENGINEERING	E.S.P.		2			5		
B.H.G.	2-22-42	LANDSCAPE	J.H.C.		3	2-22-42		6		



THRUST BLOCK DETAIL
No SCALE



ELECTRICAL DISTRIBUTION PANEL



TANK SUPPORT
Scale 3/4" = 1'-0"

PUMP BASE
Scale 3/4" = 1'-0"

PUMPHOUSE PIPING AND FOUNDATION PLAN

MICHIGAN
DEPARTMENT OF CONSERVATION
PARKS AND RECREATION DIVISION

TAHOUMENON FALLS STATE PARK
RIVERMOUTH CAMPGROUND
WATER DISTRIBUTION SYSTEM

SHEET
NO. 2
OF 4
PLAN NO.
E-113