

REVISIONS	NO.	DATE	BY
1	1-12-63	DMC	
2			
3			
4			
5			
6			

APPROVED BY:	DATE	REVIEWED BY SECTIONS
<i>[Signature]</i>	1-12-63	ARCHITECTURAL
		ENGINEERING
		LANDSCAPE

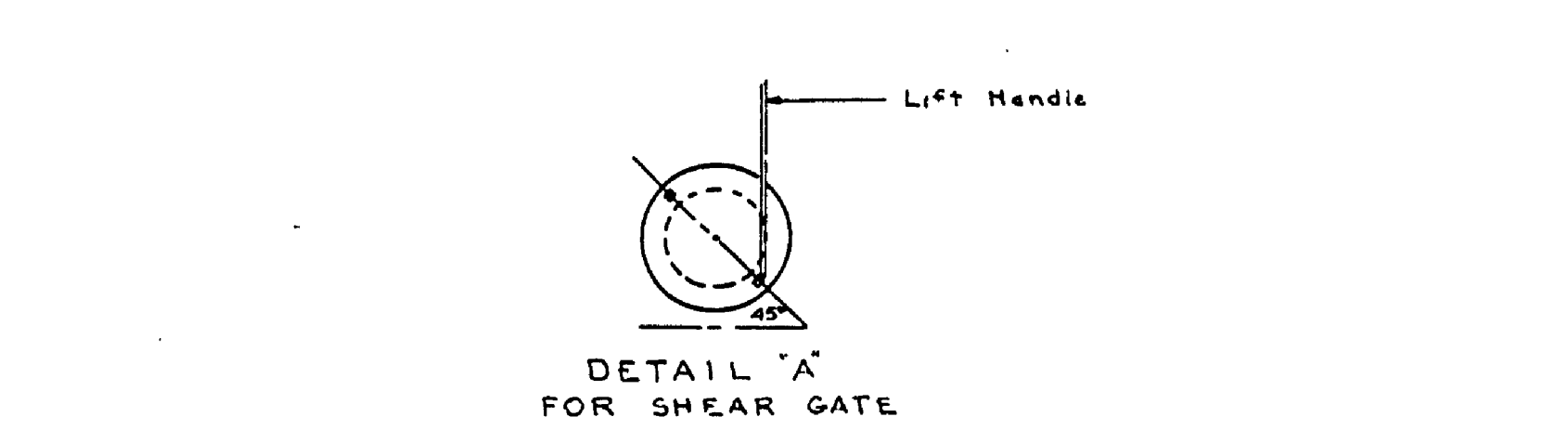
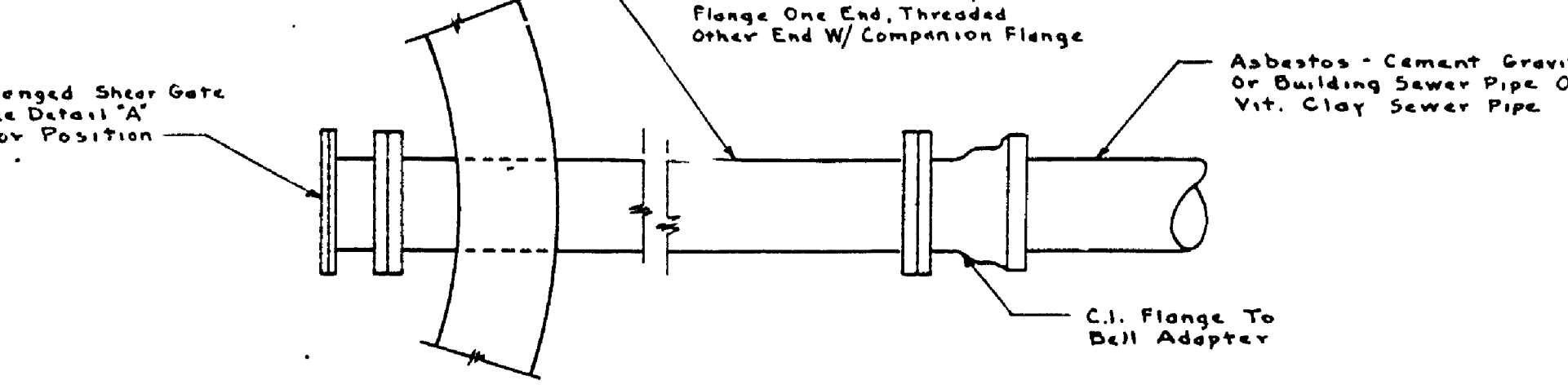
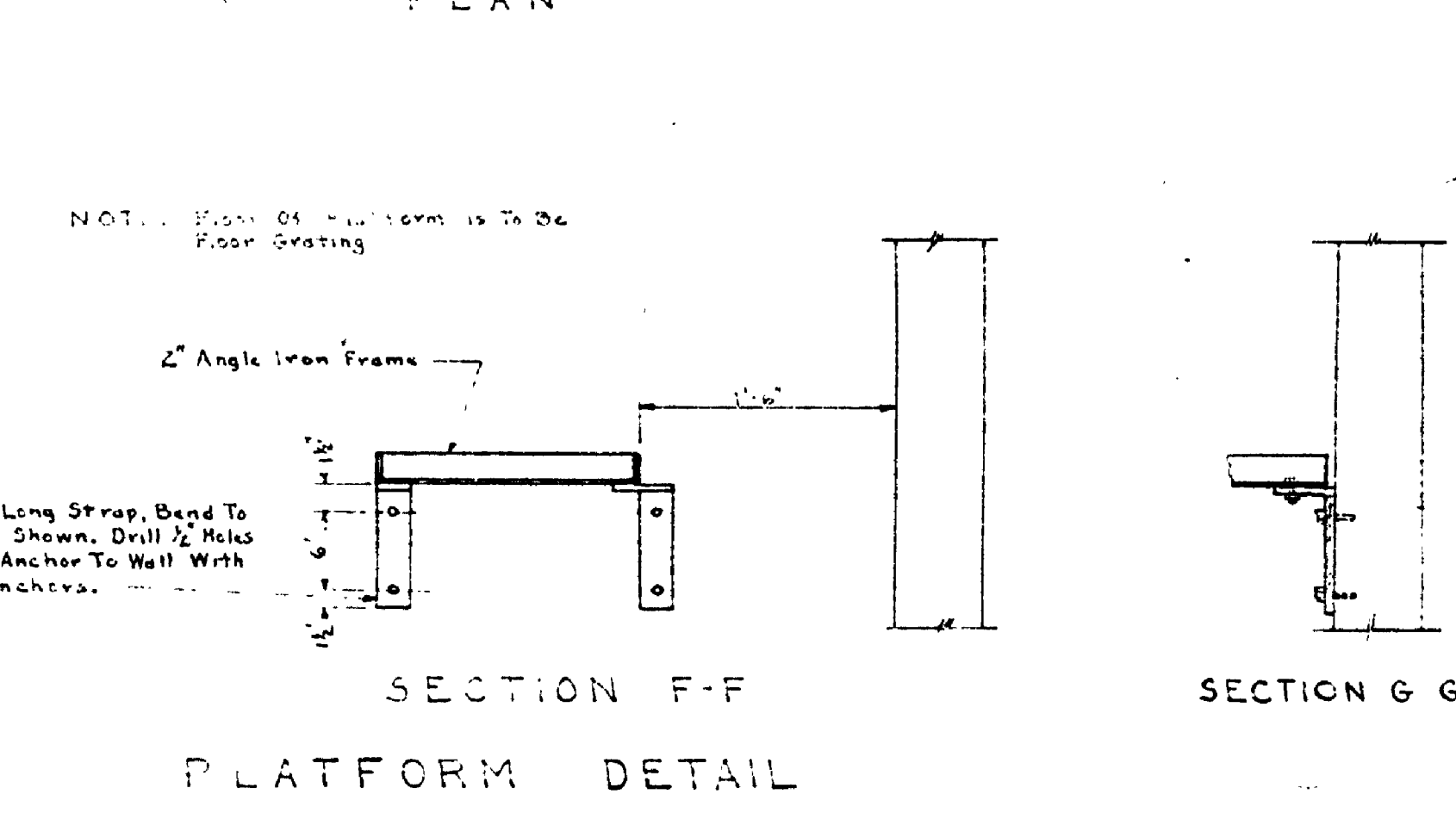
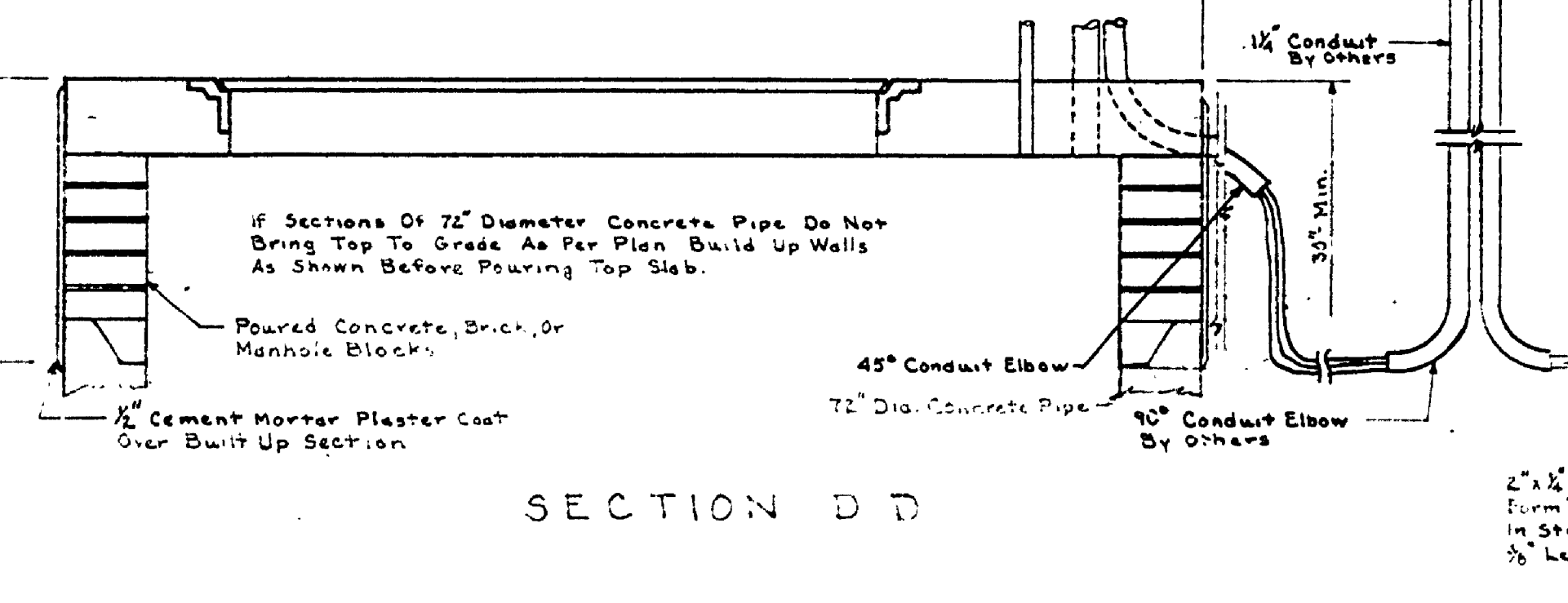
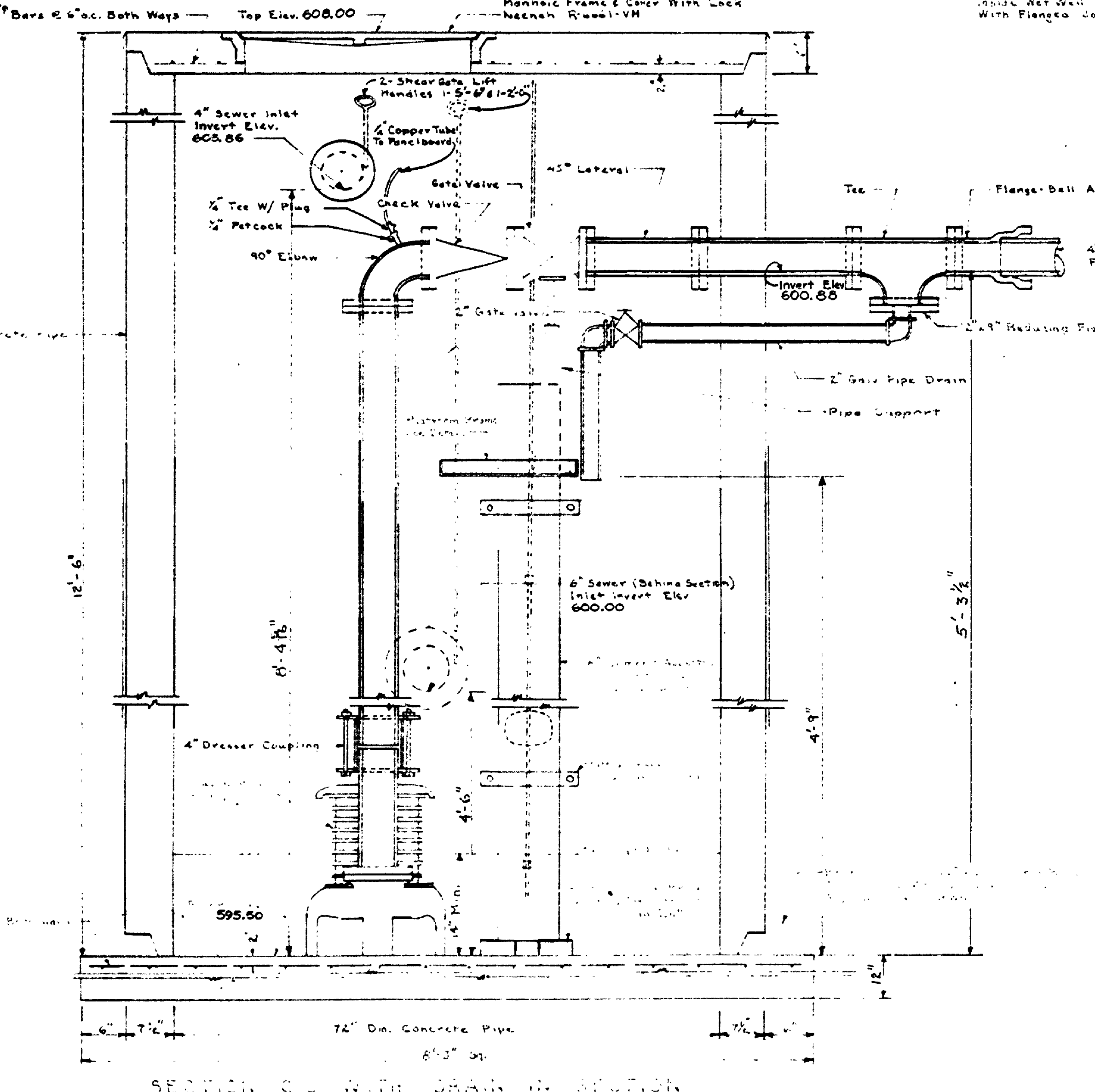
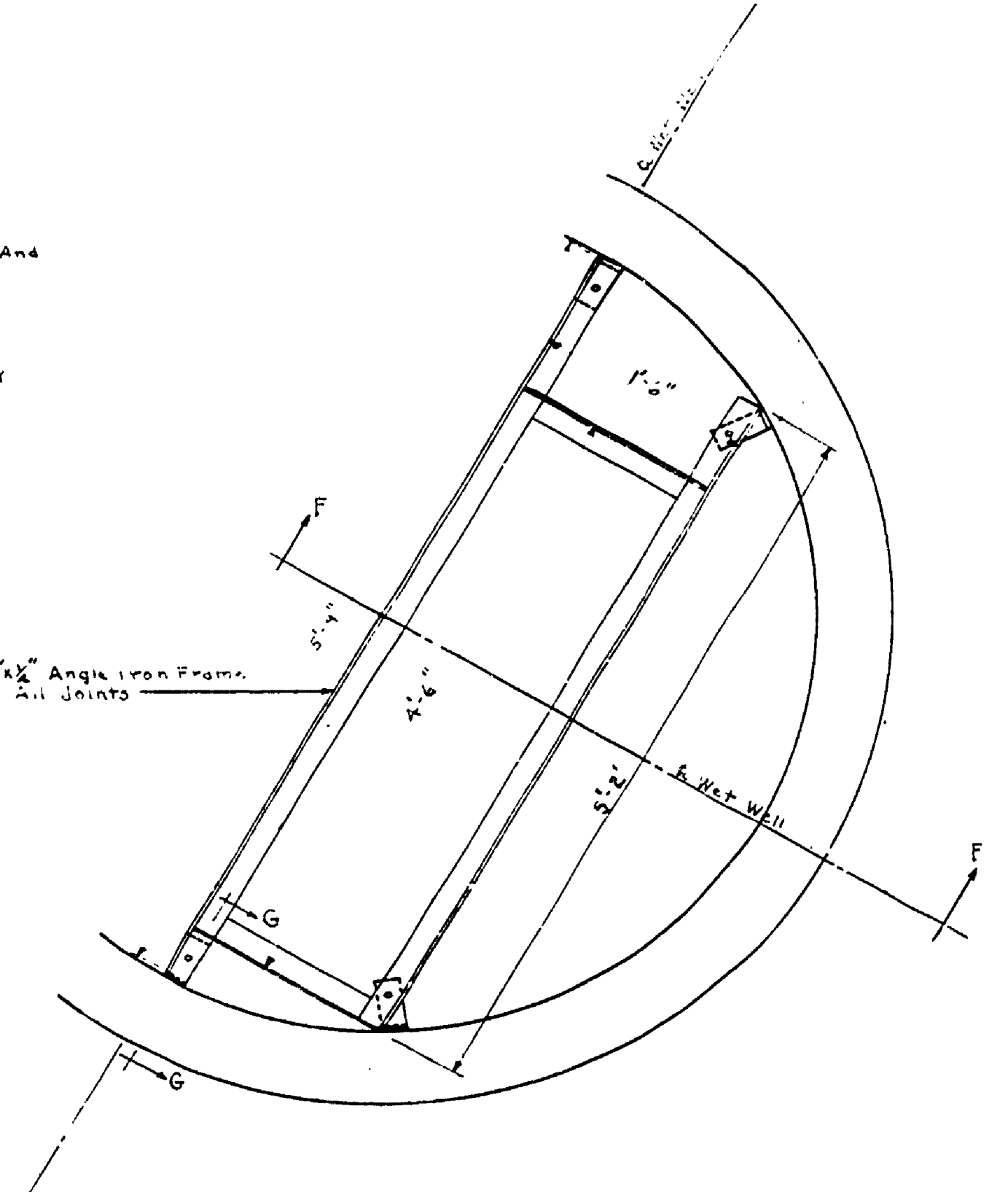
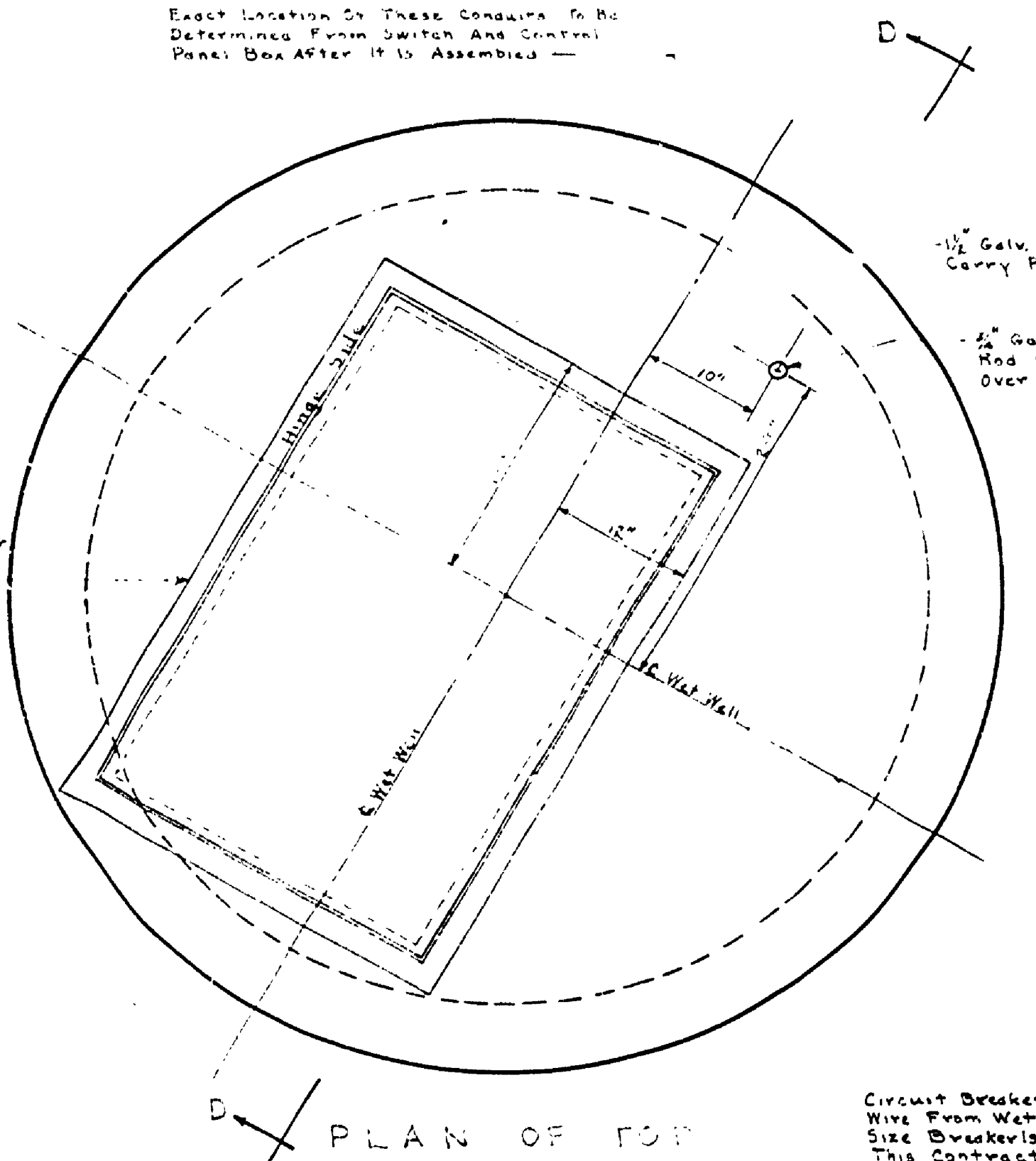
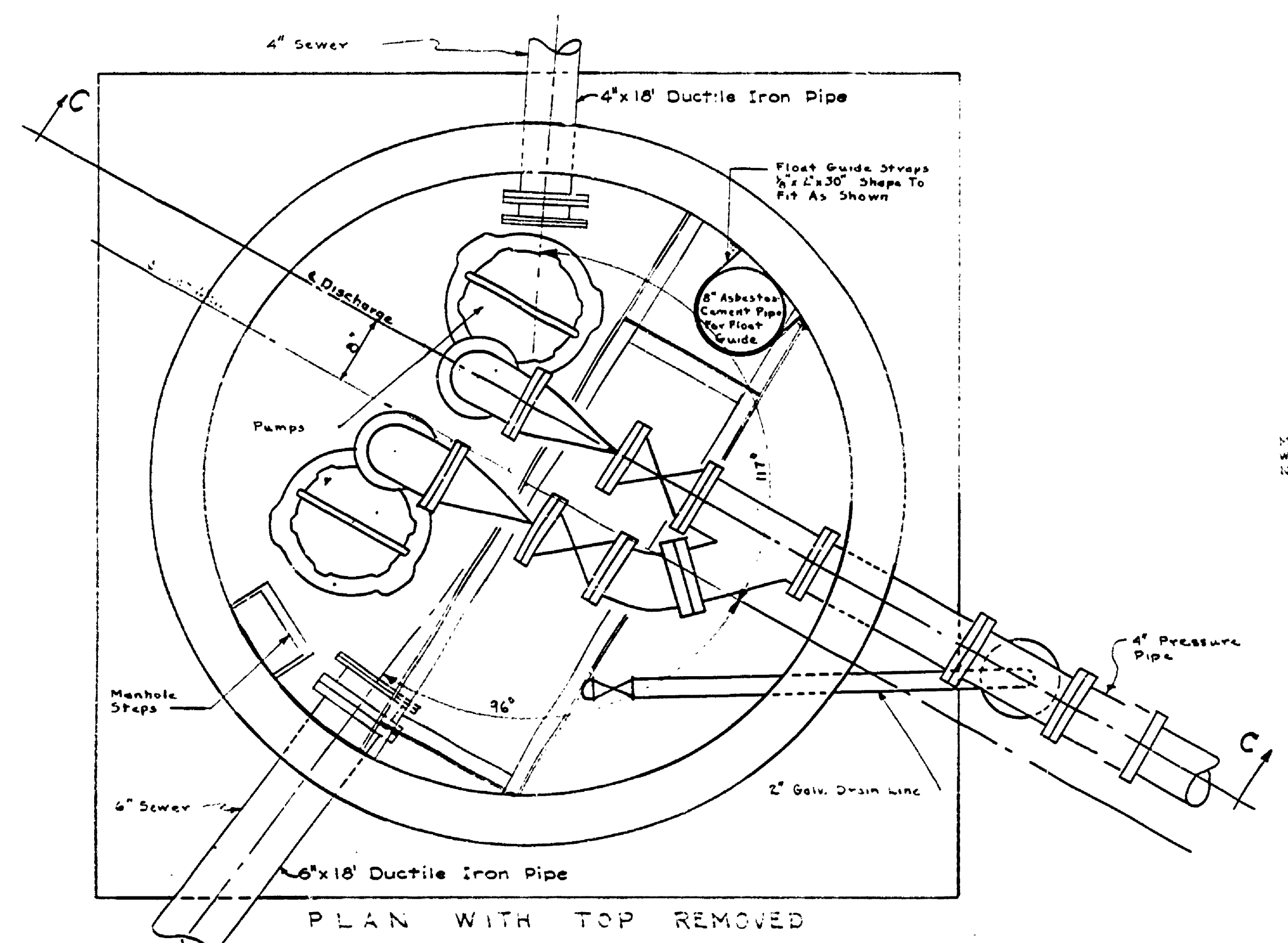
APPROVED BY:	DATE	REVIEWED BY SECTIONS
<i>[Signature]</i>	1-12-63	ARCHITECTURAL
		ENGINEERING
		LANDSCAPE

APPROVED BY:	DATE	REVIEWED BY SECTIONS
<i>[Signature]</i>	1-12-63	ARCHITECTURAL
		ENGINEERING
		LANDSCAPE

APPROVED BY:	DATE	REVIEWED BY SECTIONS
<i>[Signature]</i>	1-12-63	ARCHITECTURAL
		ENGINEERING
		LANDSCAPE



WET WELL AND PUMP STATION

MICHIGAN DEPARTMENT OF CONSERVATION PARKS AND RECREATION DIVISION

TANQUAMENON FALLS STATE PARK RIVERMOUTH SECTION SEWAGE DISPOSAL SYSTEM FOR NORTH CAMPGROUND

SHEET NO. 3 OF 5 PLAN NO. E-115