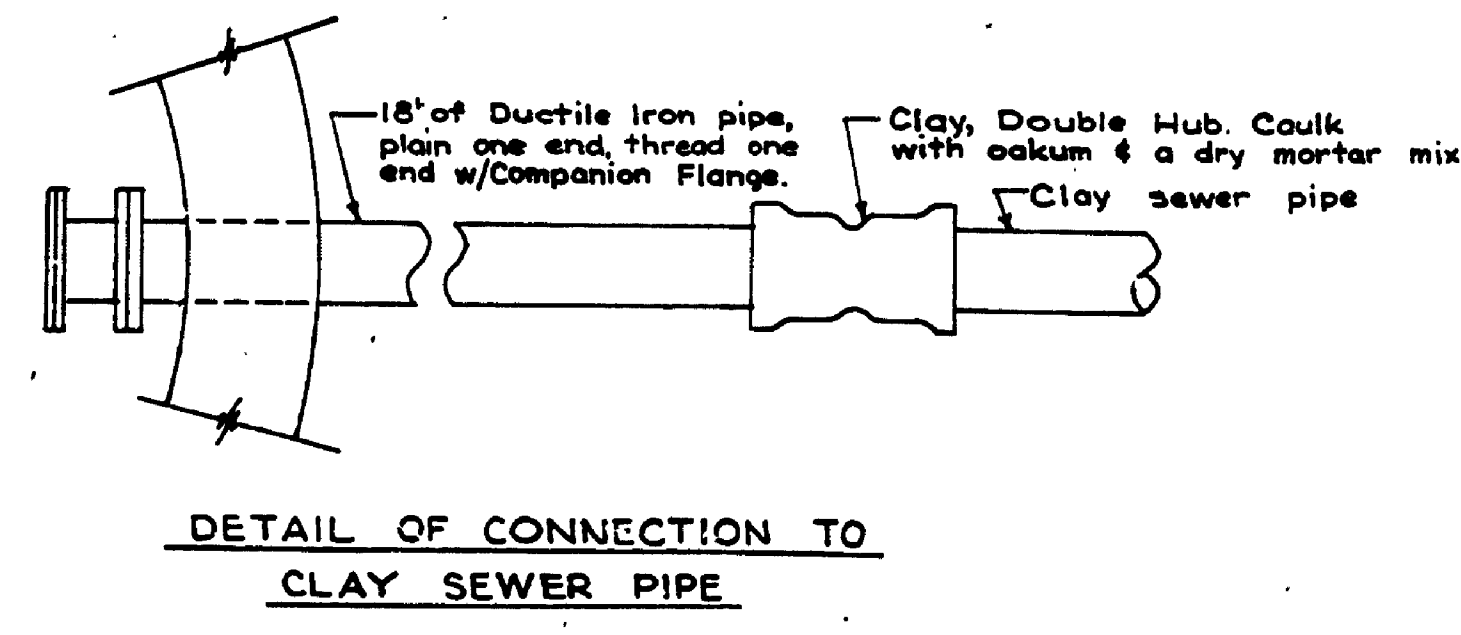
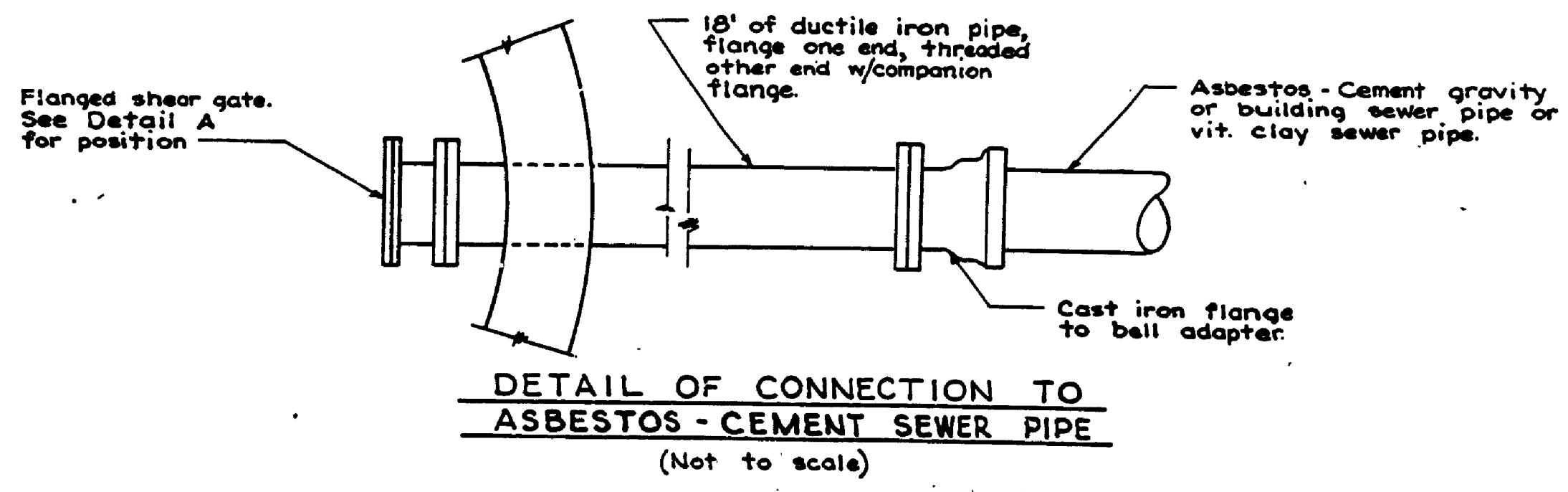
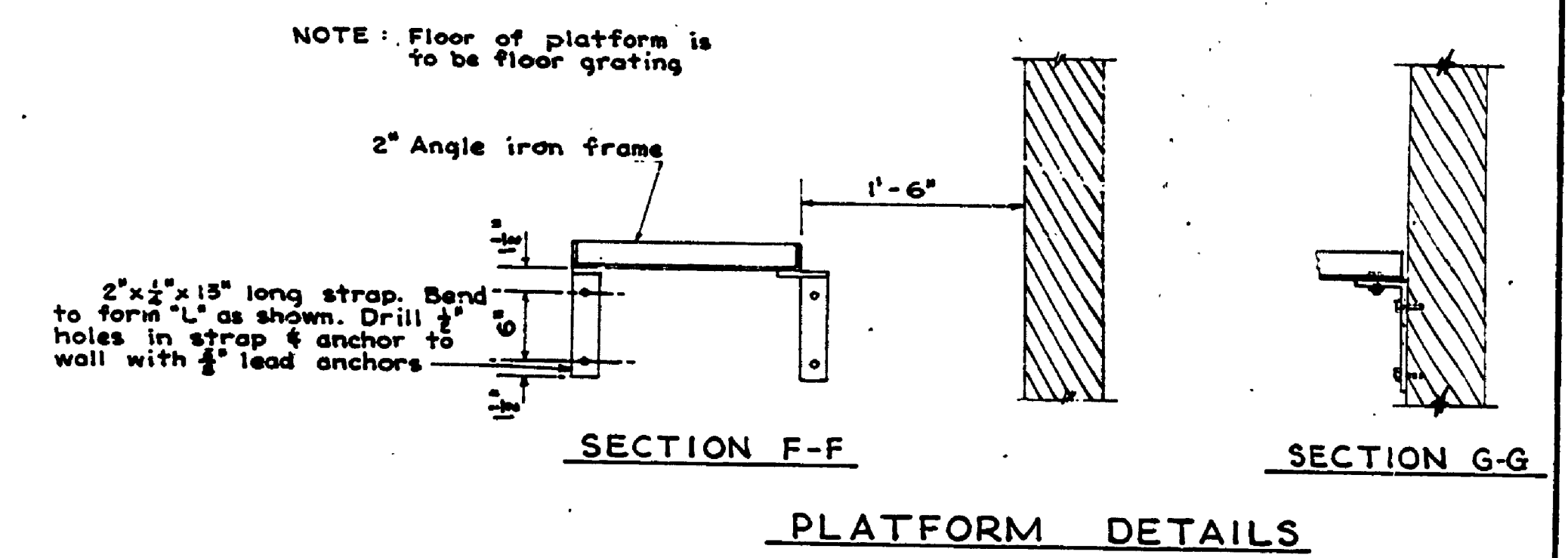
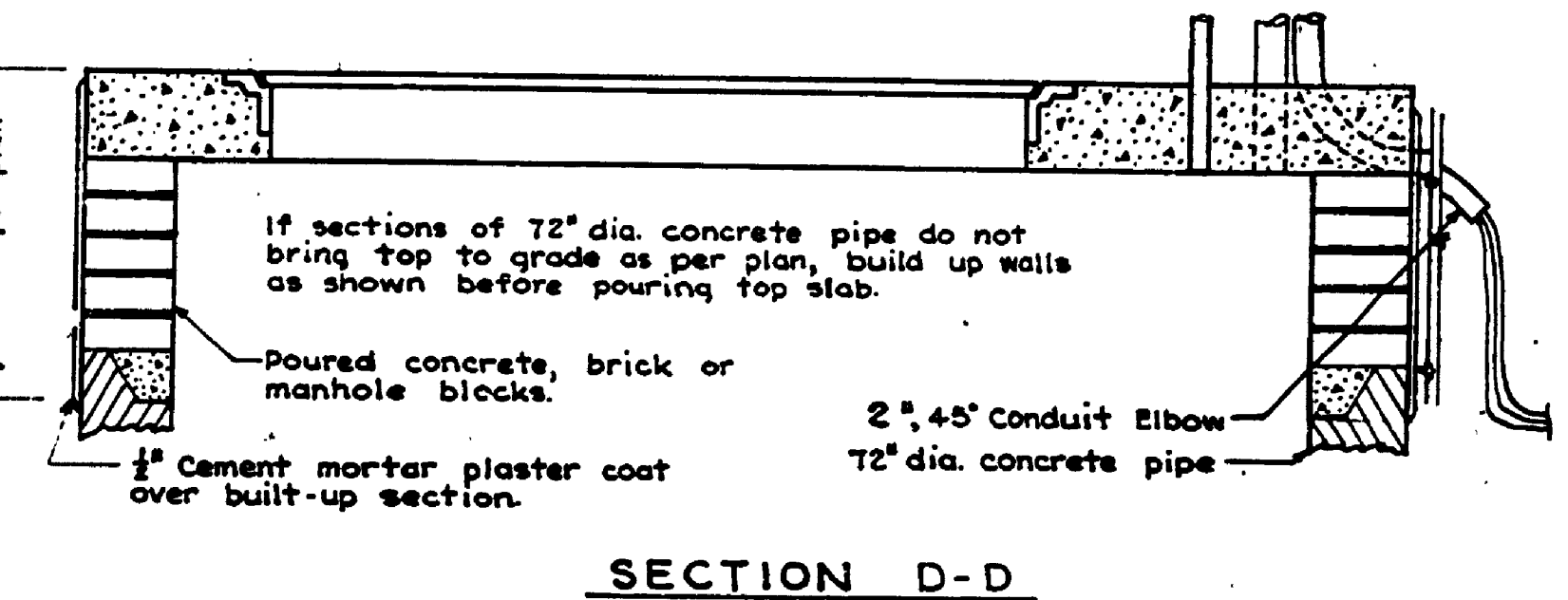
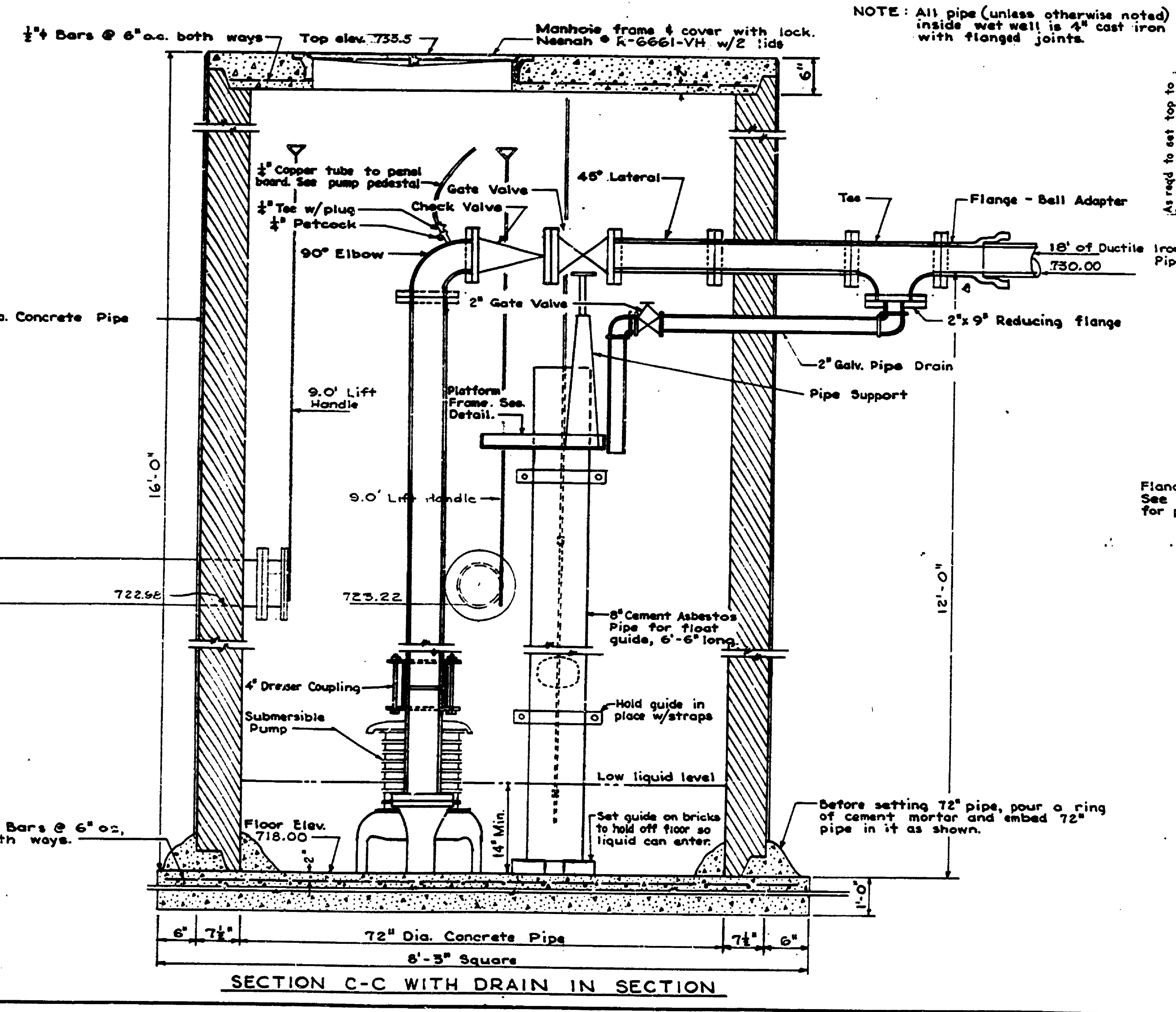
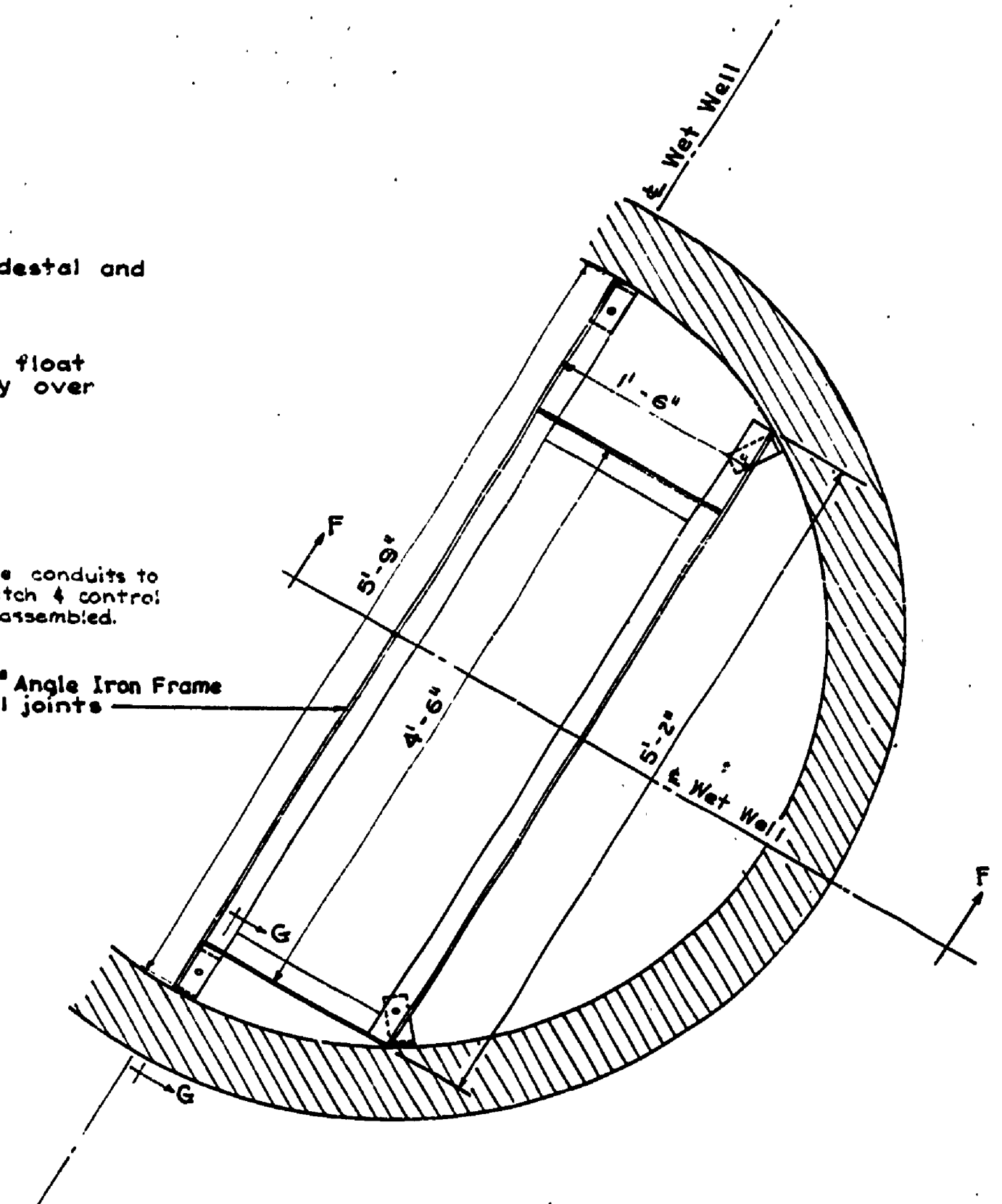
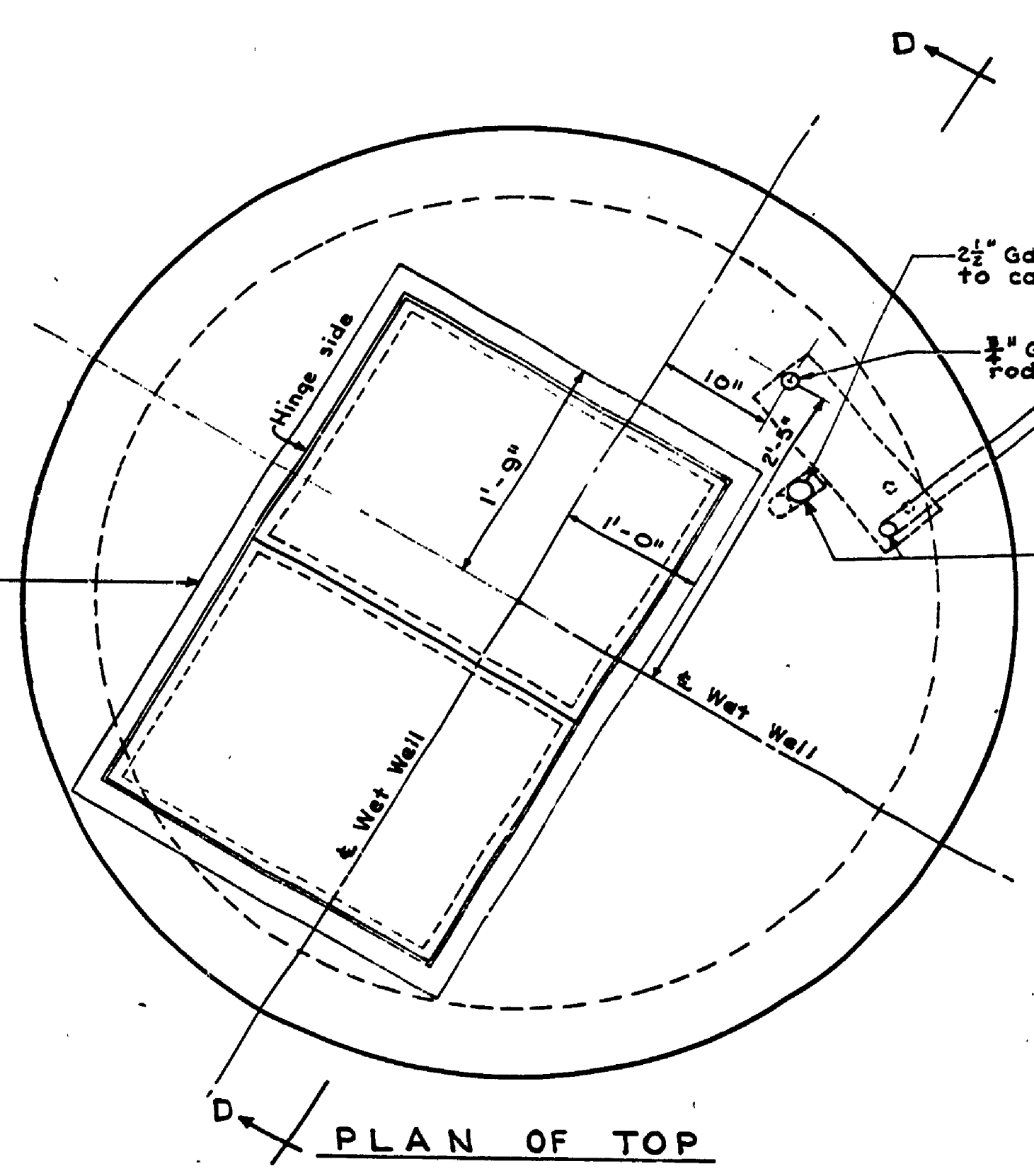
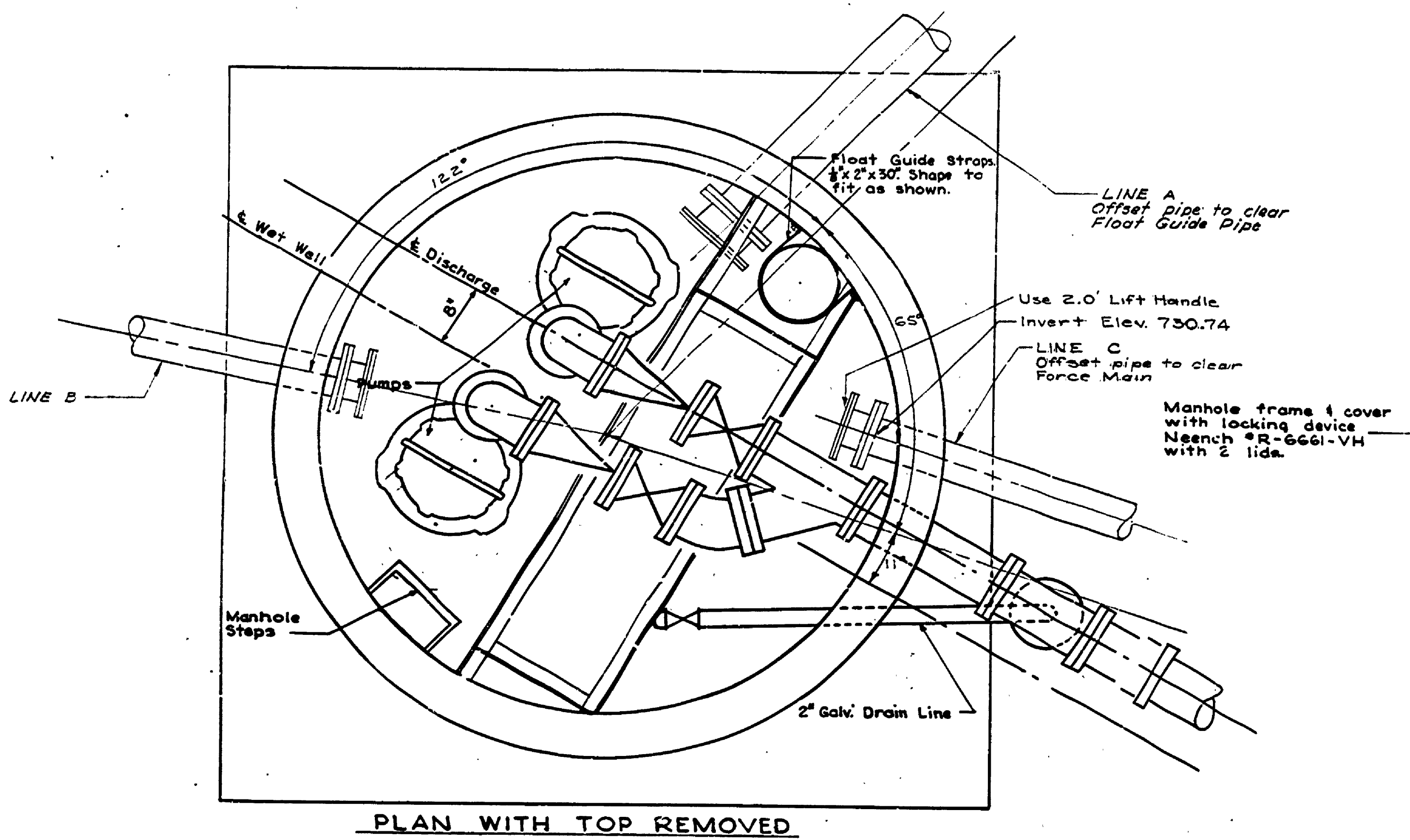


BRUNING 10171	DATE	BY
REVISIONS	4	B
	5	B
	6	B
NO. DATE	1	
	2	
	3	
APPROVED BY	DATE	
REVIEWED BY SECTIONS	DATE	
ARCHITECTURAL		
ENGINEERING		
LANDSCAPE		
DRAWN BY	COTE	
TRACED BY	COTE	
CHECKED BY		
DATE		



WET WELL AND PUMP STATION

MICHIGAN DEPARTMENT OF CONSERVATION PARKS AND RECREATION DIVISION

TAHQUAMENON FALLS STATE PARK LOWER FALLS CAMPGROUND SEWAGE SYSTEM

SHEET NO. 9 OF 18 PLAN NO. E-117