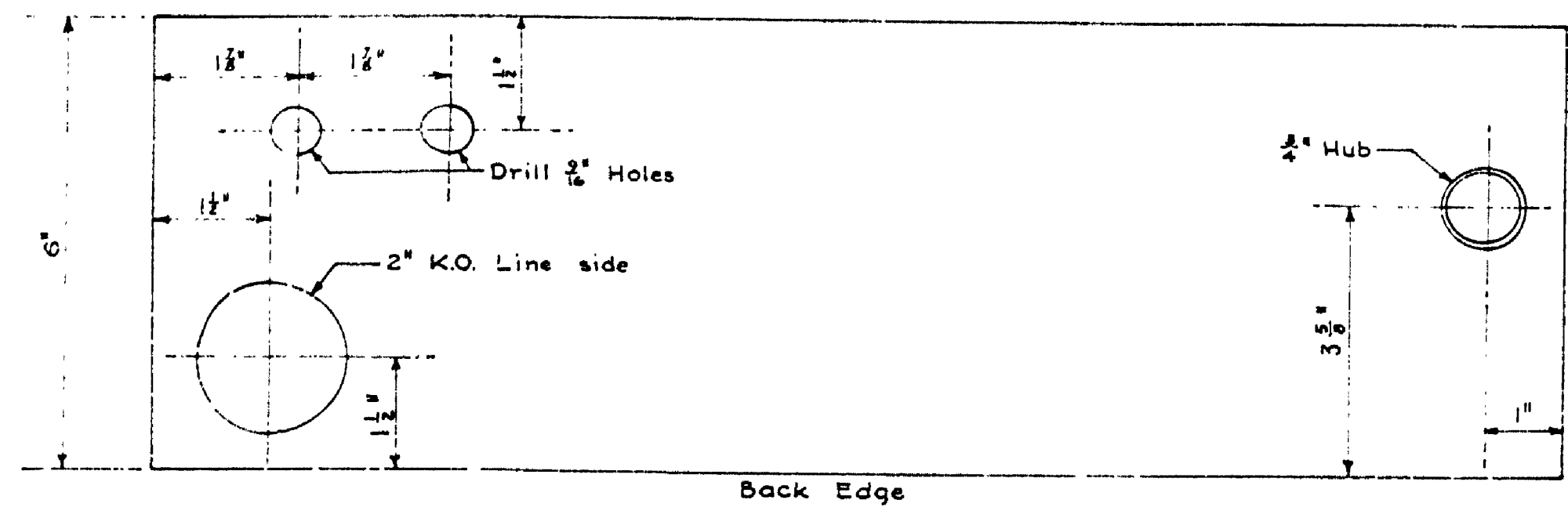
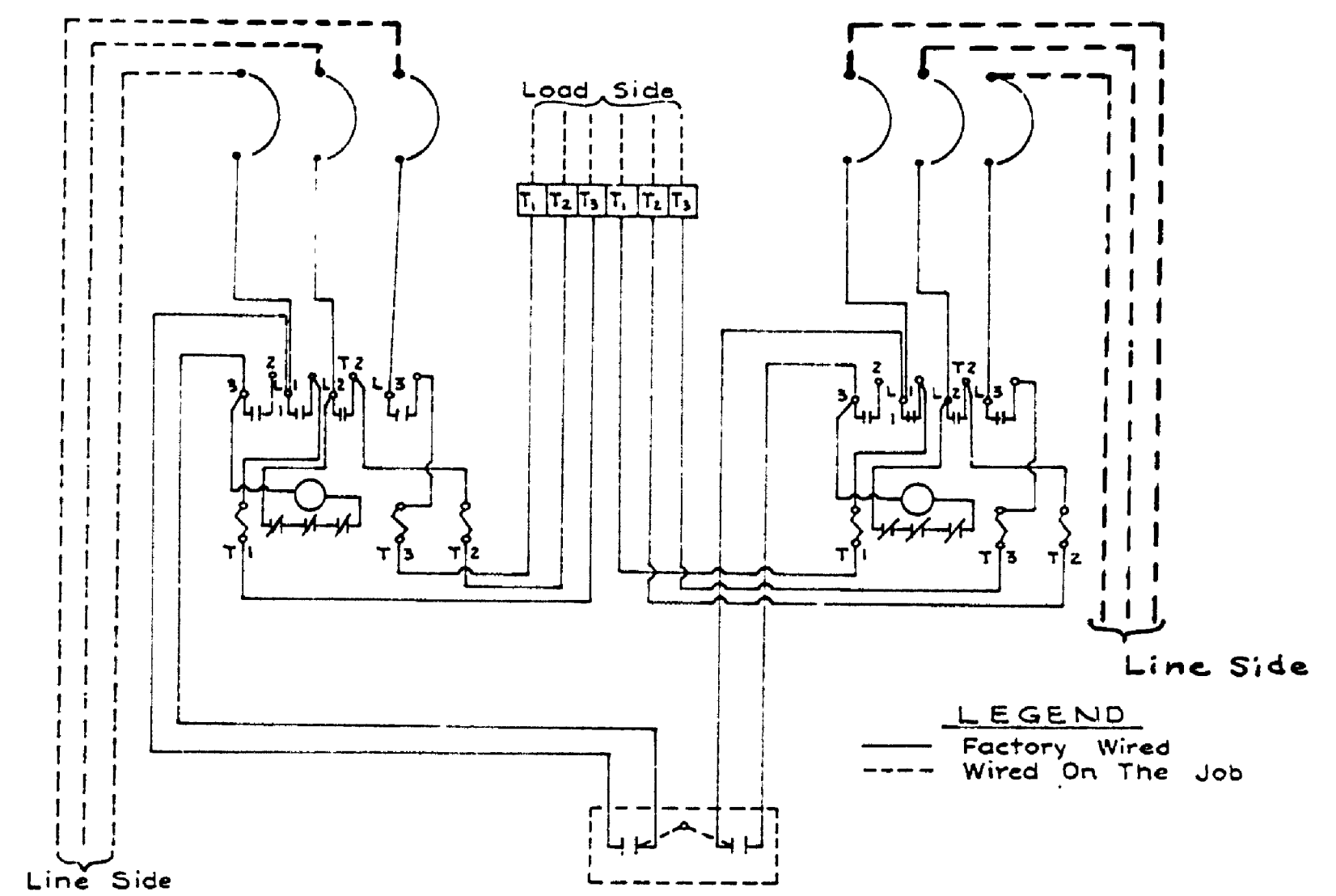


FRONT WITH COVER REMOVED
Half Scale



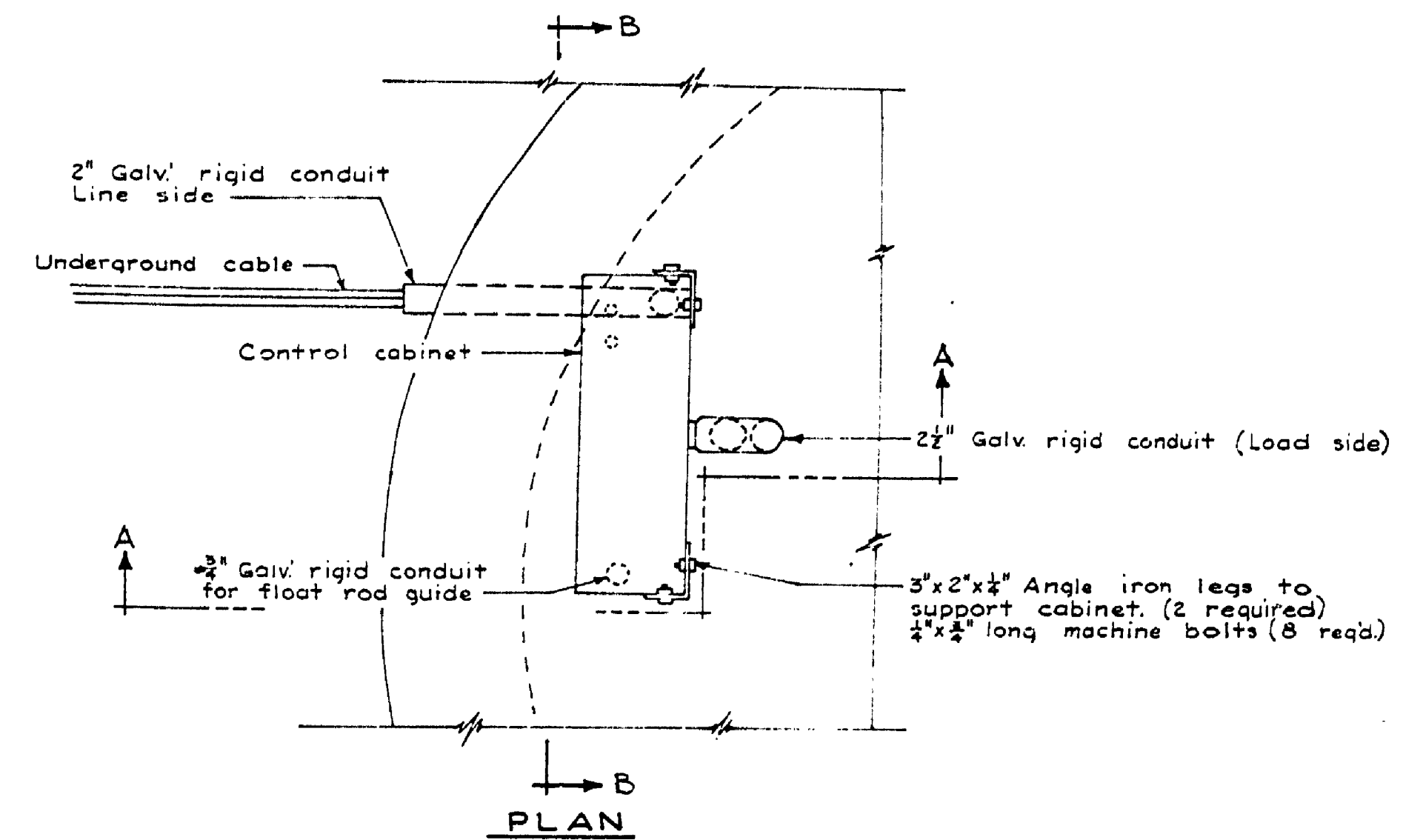
BOTTOM
Half Scale



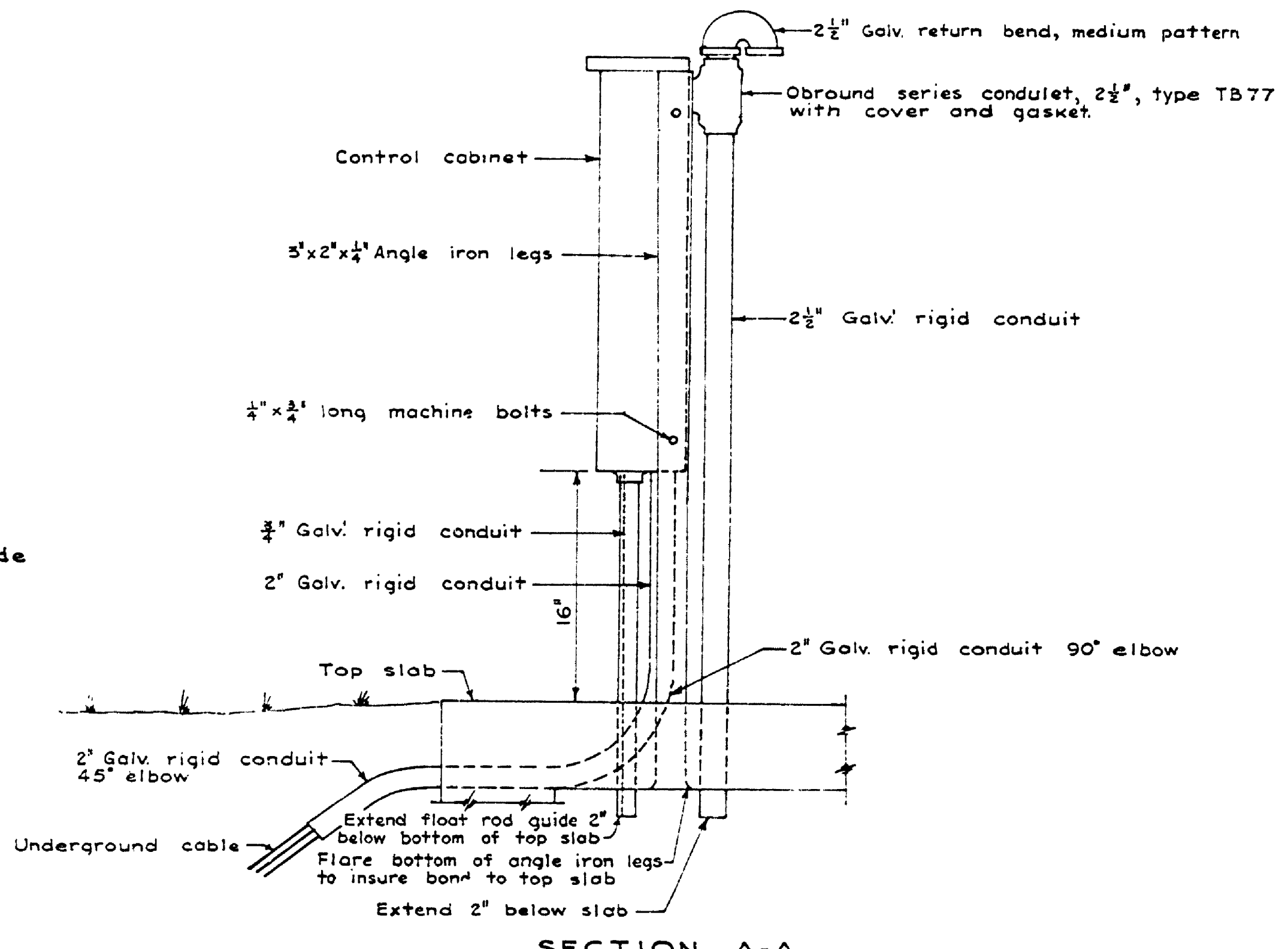
WIRING DIAGRAM
Not To Scale

NOTES
All numbers shown on component parts in control cabinet are Square D. No substitutes will be accepted. Component parts in this control box are to be of sufficient ampere to handle the pump motors furnished. Cabinet to be weatherproof. See Specifications for complete description.

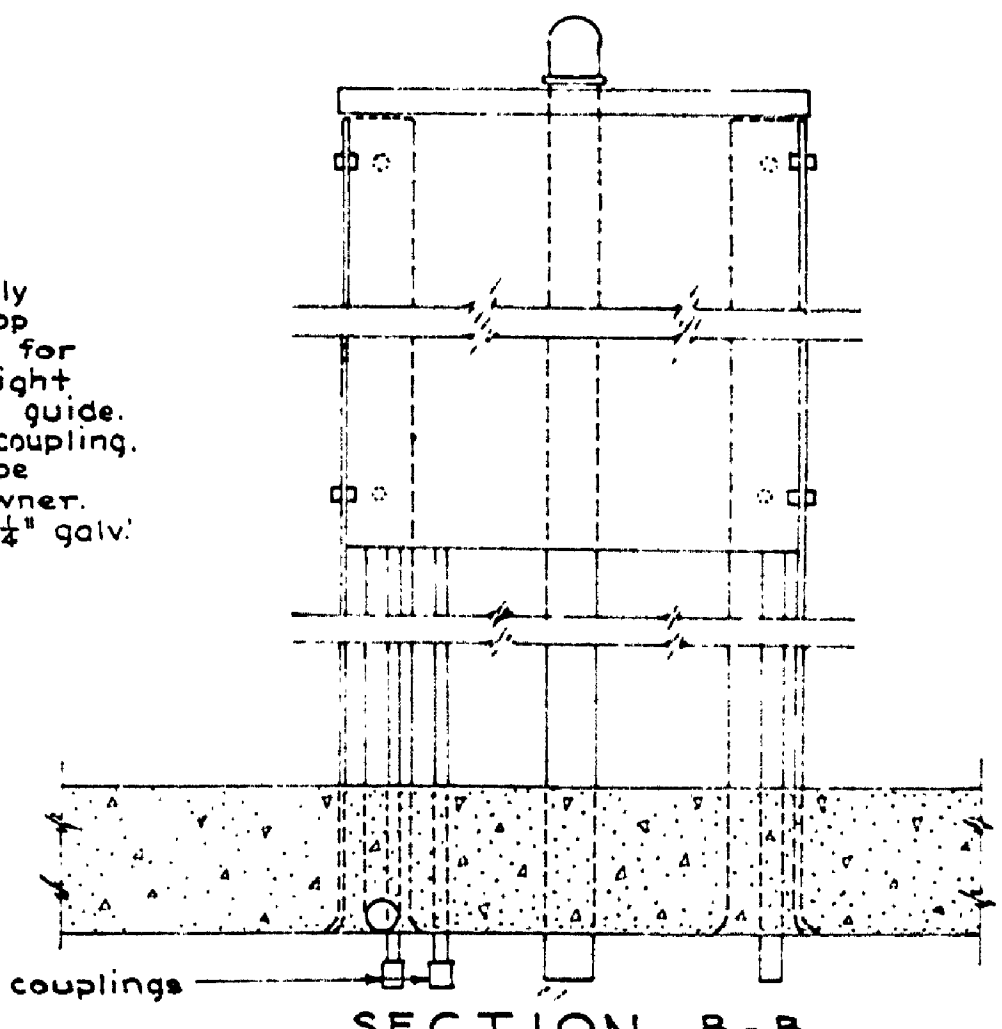
NOTES
Control pedestal should be completely assembled and set in form before top slab is poured. Be sure 1/2\"/>



PLAN



SECTION A-A



PANEL PEDESTAL INSTALLATION DETAILS
1/2\"/>

CONTROL FOR DUAL PUMPS

SURVEYED BY	DRAWN BY	COTE	Sept. '65	NO. DATE	BY	REVISIONS	NO. DATE	BY	REVISIONS	MICHIGAN DEPARTMENT OF CONSERVATION	220 VOLT - 3 PHASE PUMP CONTROL PANEL	SHEET NO. ____ OF ____	TAHQUAMENON FALLS STATE PARK LOWER FALLS CAMPGROUND
DESIGNED BY	GALLUP	CHECKED BY	W.H.E.	1.			2.					FOR PROJECT NO. ____	SHEET 10 OF 13 PLAN NO. SE-154
DATE		DATE		3.			4.						