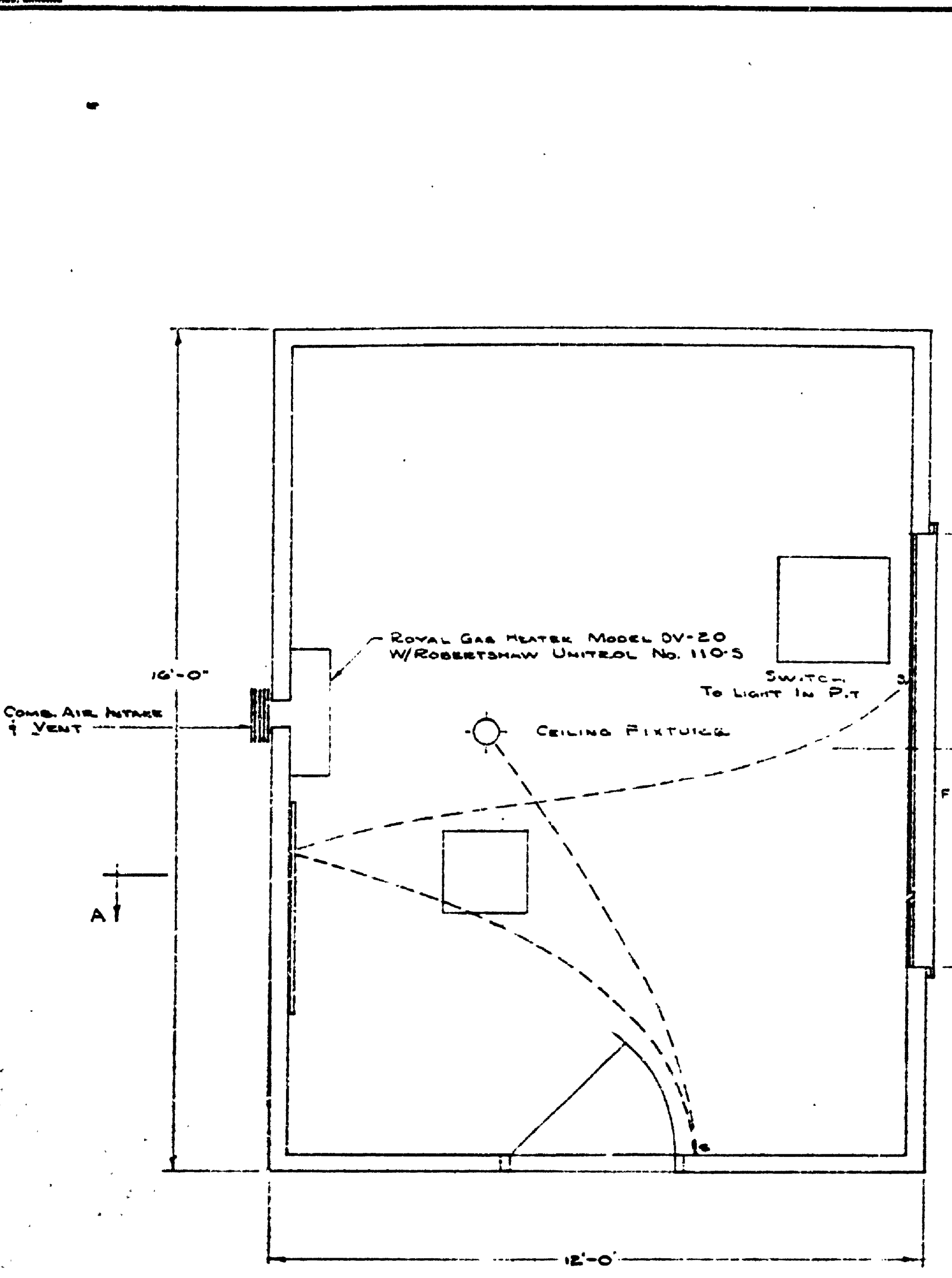
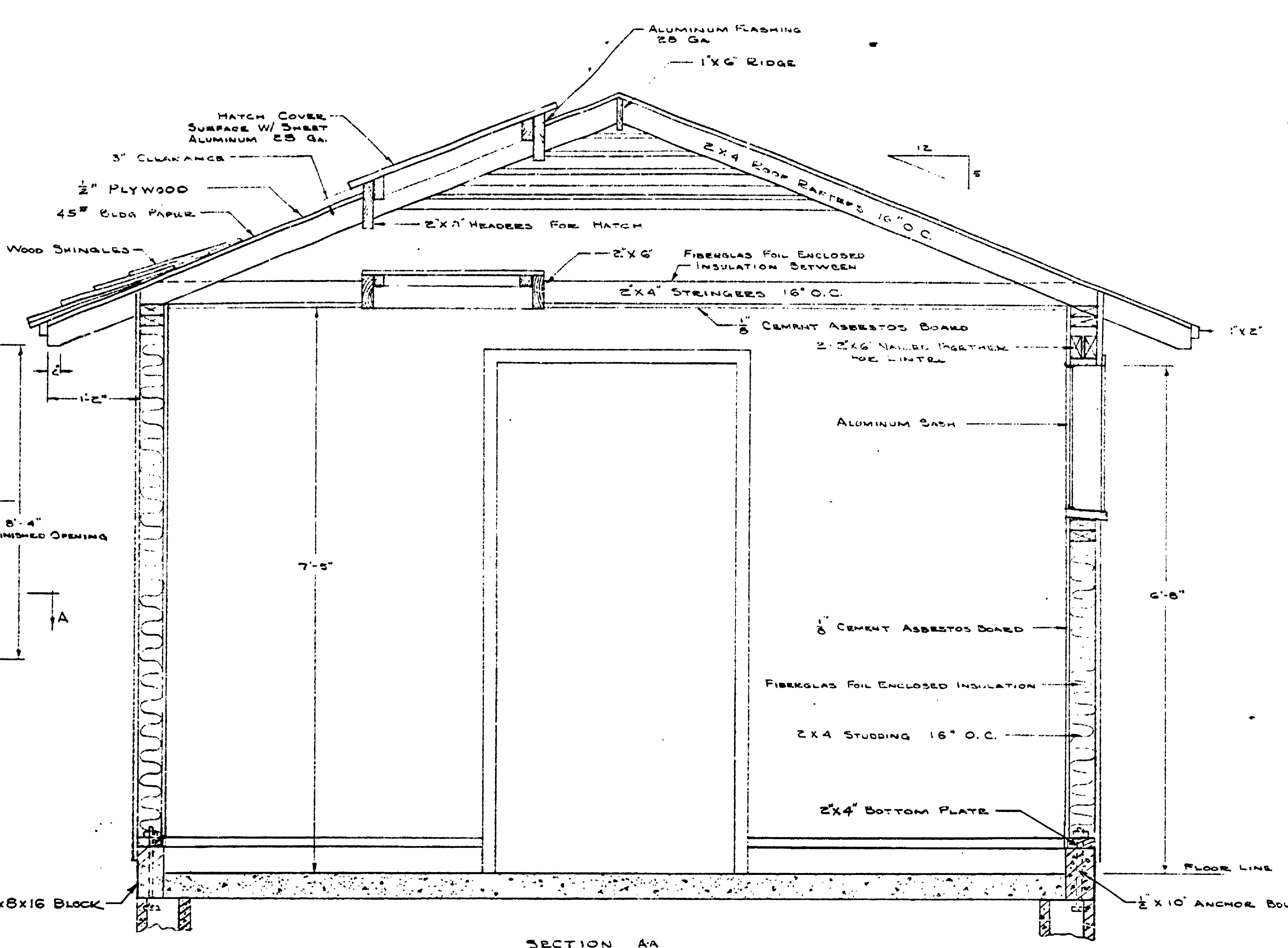


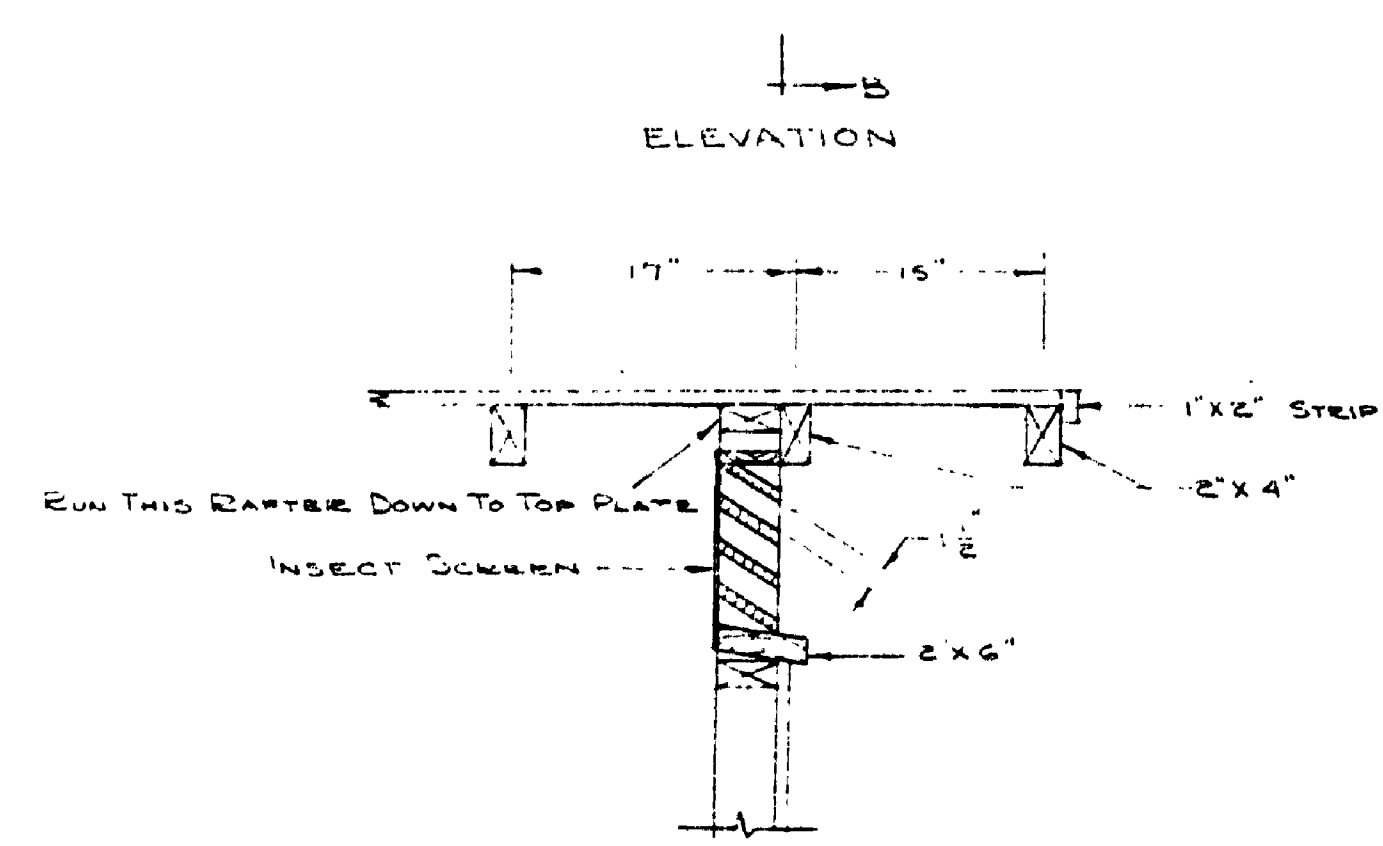
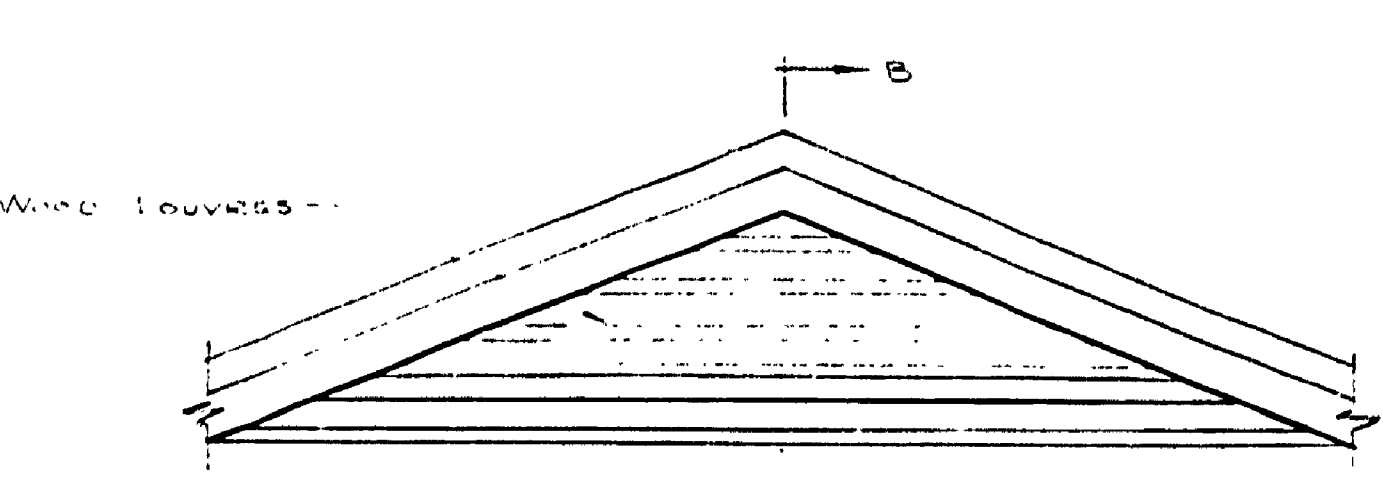
DESIGNED BY	DRAWN BY	CHECKED BY	DATE	REVIEWED	DATE	APPROVED	DATE	NO.	DATE	BY
W.J.P.	J. J. MA	C. J. P.	11-28-51	W.A.A.	12-27-51	<i>[Signature]</i>	12-27-51	1		
			11-28-51	P.D.	12-27-51	<i>[Signature]</i>	12-27-51	2		
			11-28-51	LANDSCAPE	12-27-51	<i>[Signature]</i>	12-27-51	3		



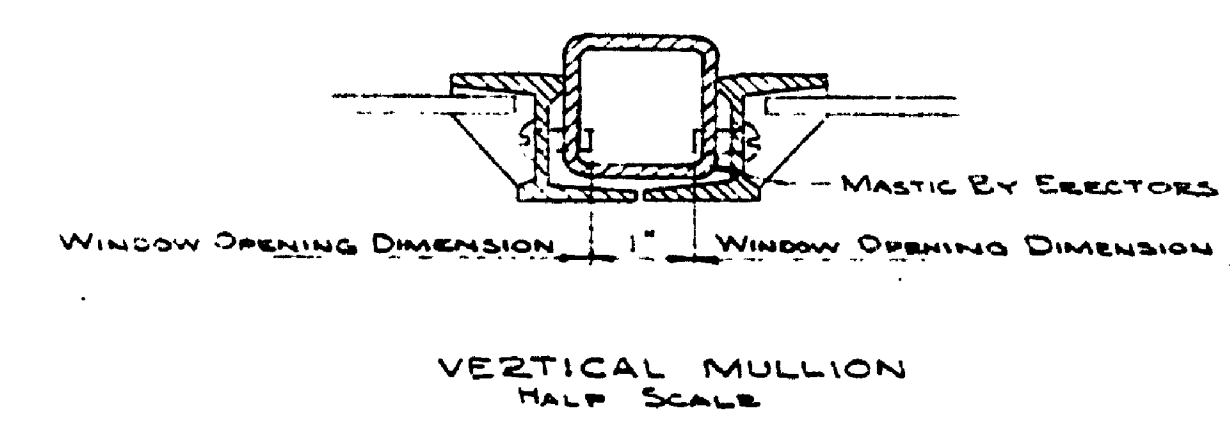
FLOOR PLAN
SCALE 1/2" = 1'-0"



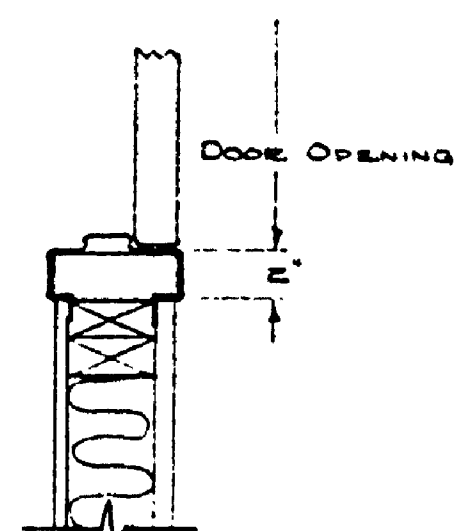
SECTION AA
SCALE 1" = 1'-0"



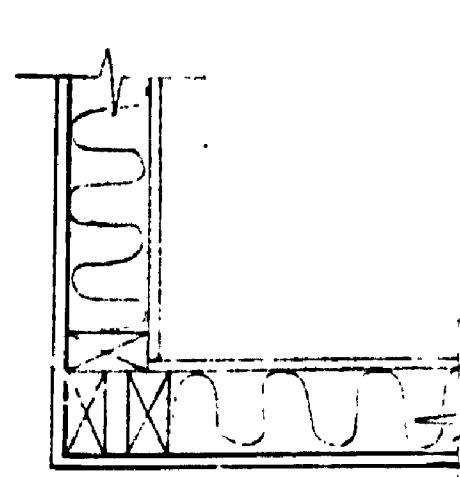
SECTION B-B
LOUVRE DETAIL
SCALE 1" = 1'-0"



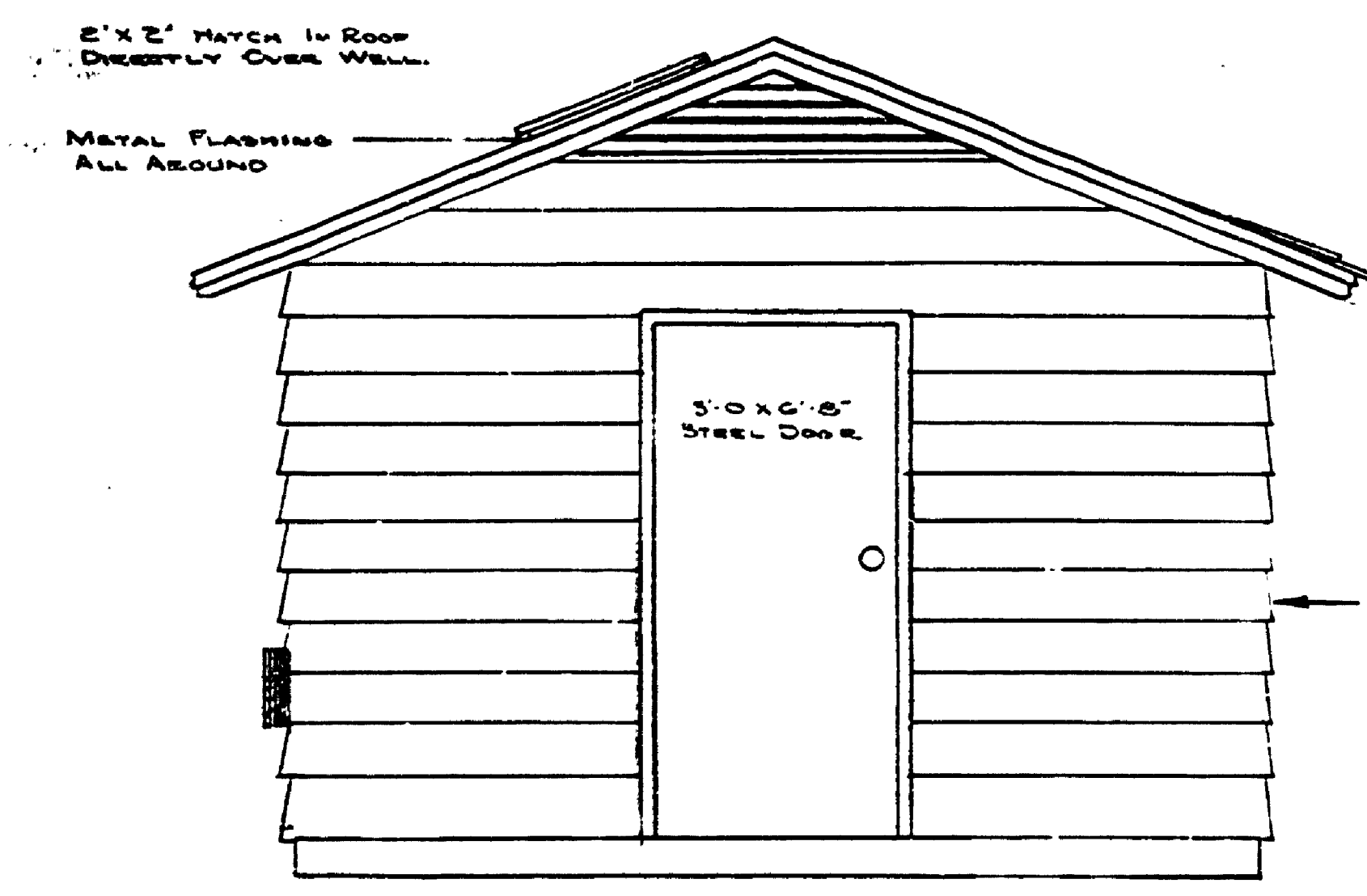
VERTICAL MULLION
HALF SCALE



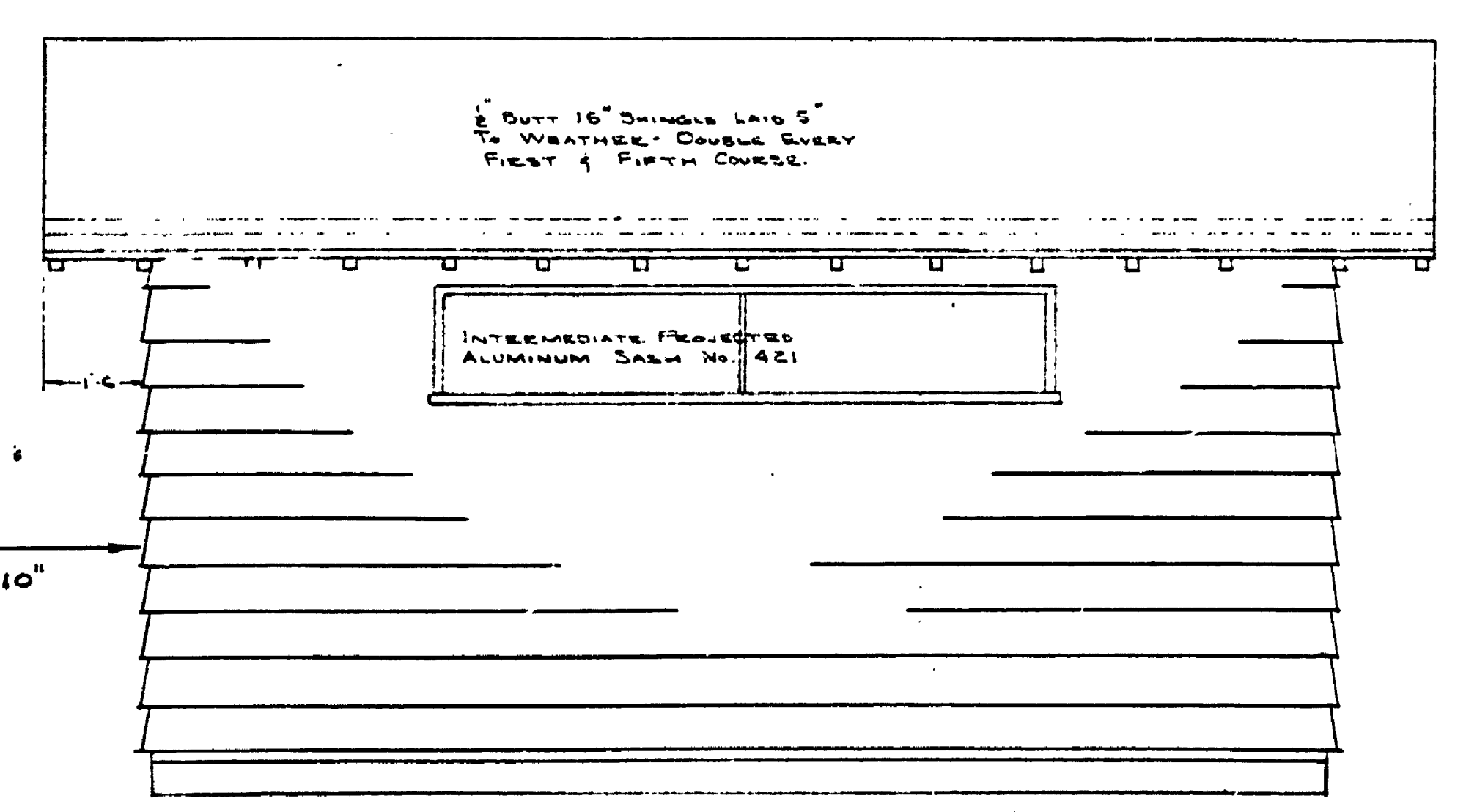
DOOR FRAMING DETAIL
SCALE 1 1/2" = 1'-0"



CORNER POST DETAIL
SCALE 1 1/2" = 1'-0"



END ELEVATION
SCALE 1/2" = 1'-0"



SIDE ELEVATION
SCALE 1/2" = 1'-0"

PUMPHOUSE PLAN

MICHIGAN
DEPARTMENT OF CONSERVATION
PARKS AND RECREATION DIVISION

TAQUAMENON FALLS STATE PARK
LOWER FALLS CAMPGROUND
WATER DISTRIBUTION SYSTEM

SHEET
NO. 14
OF 16
PLAN NO.
E-117