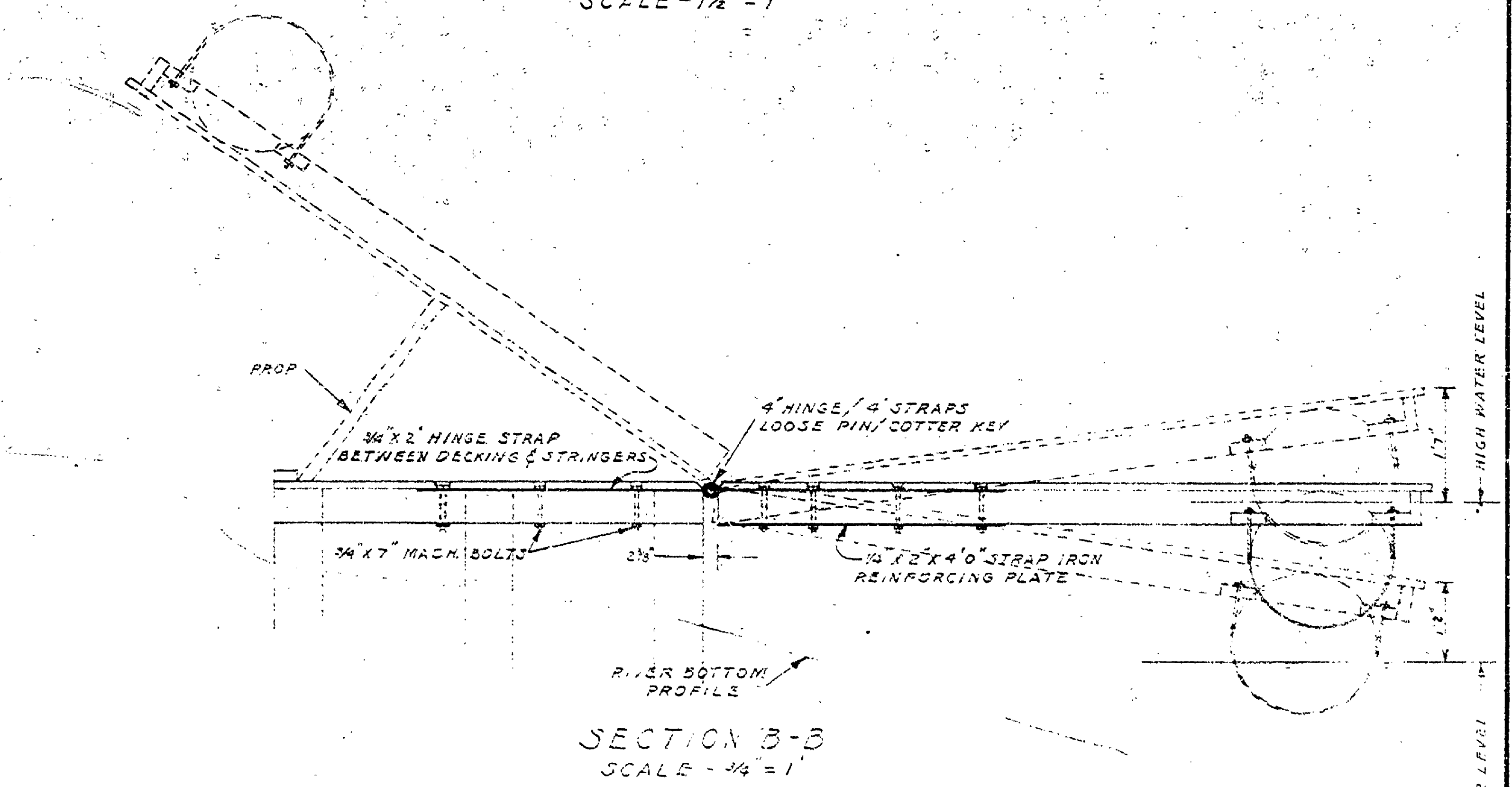
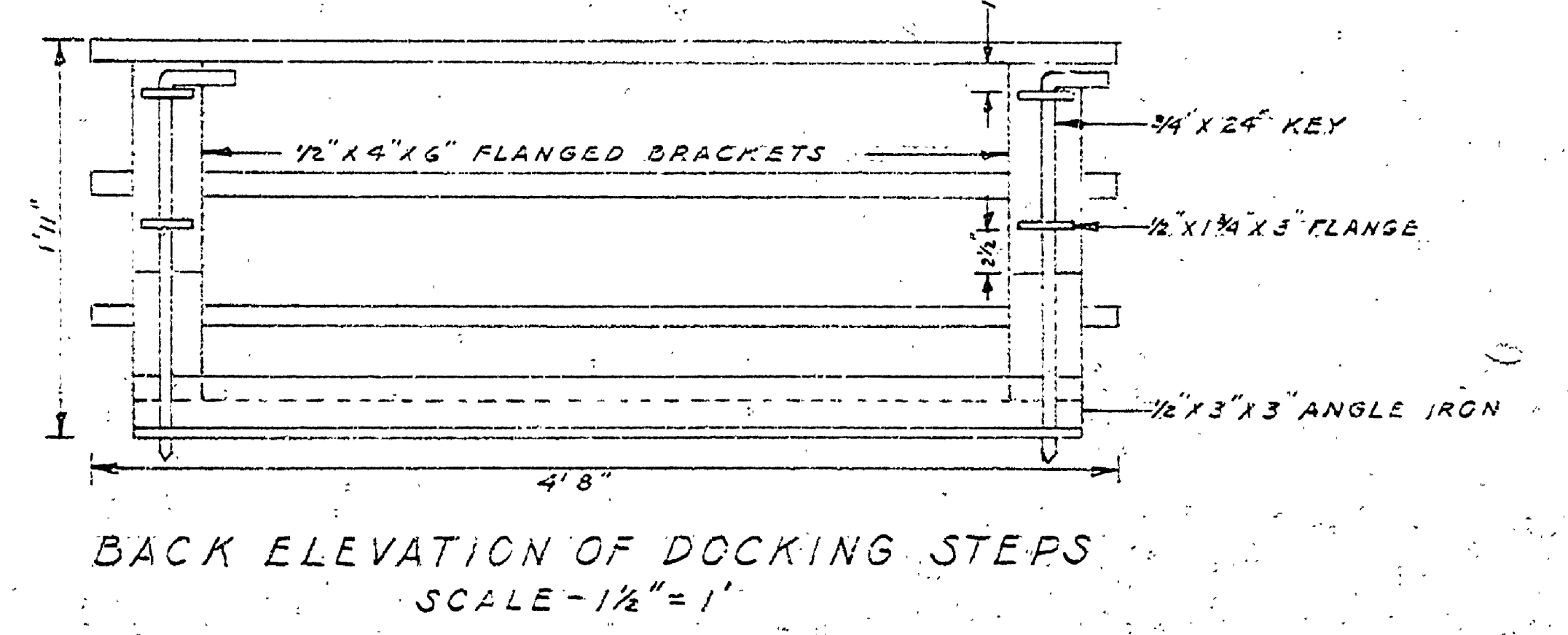
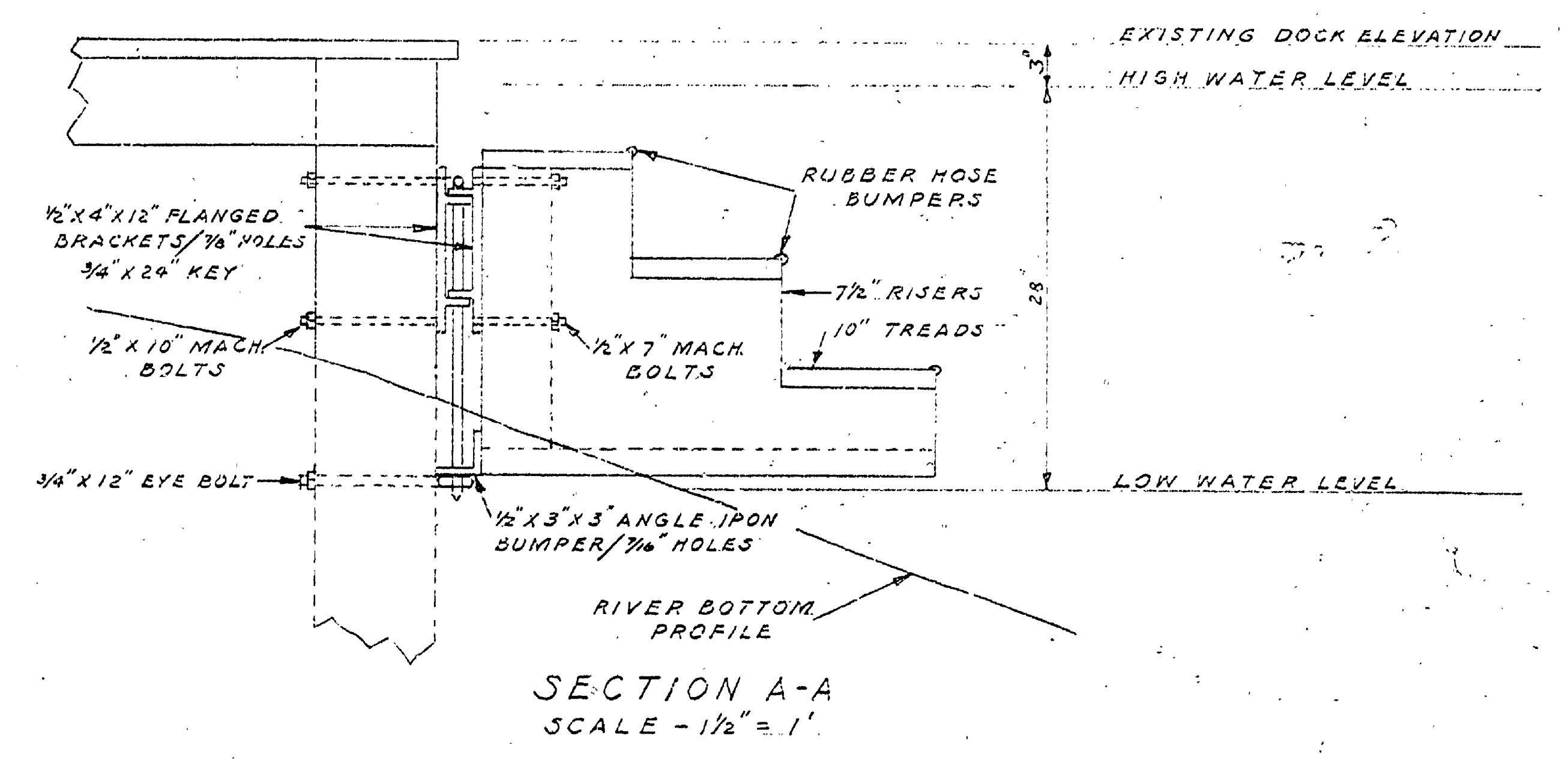
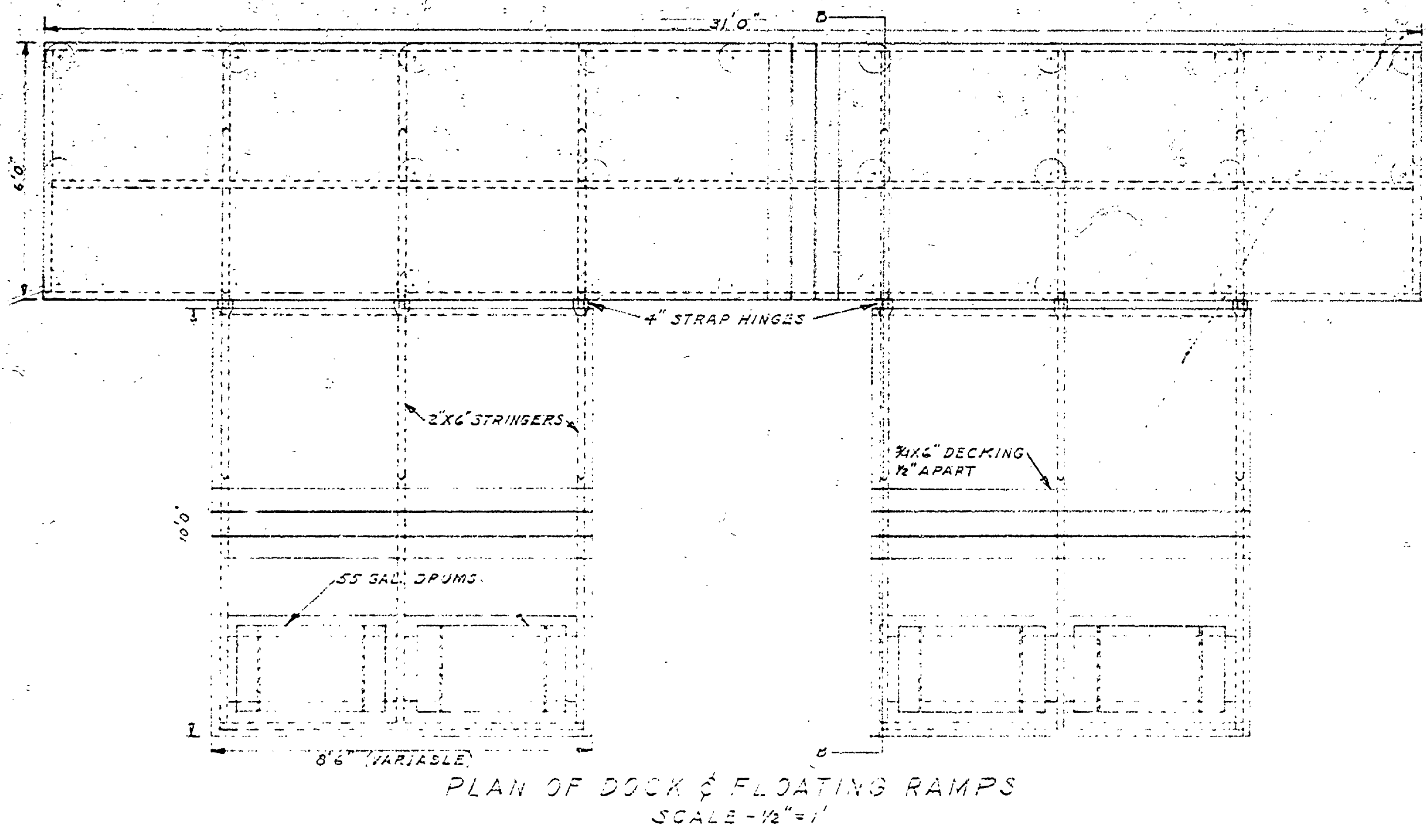
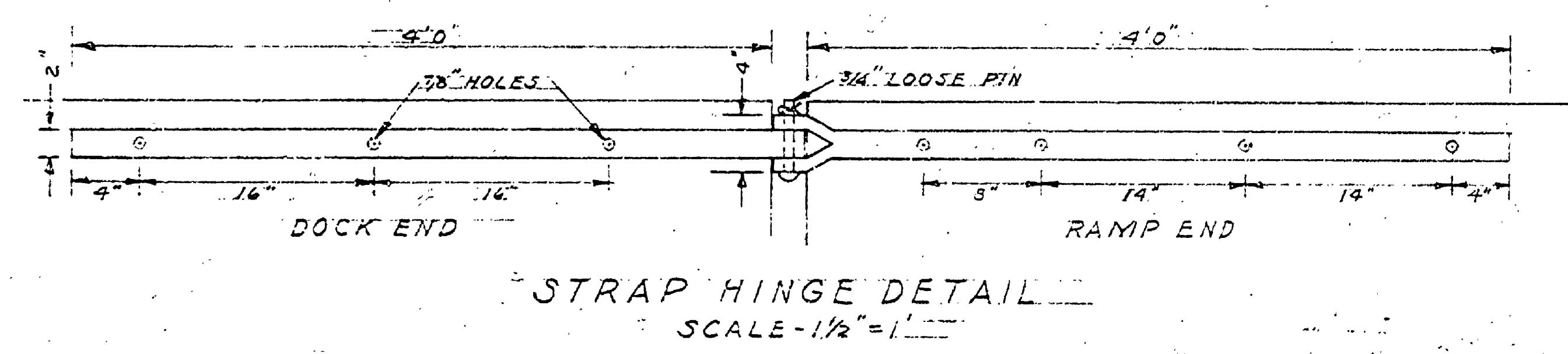
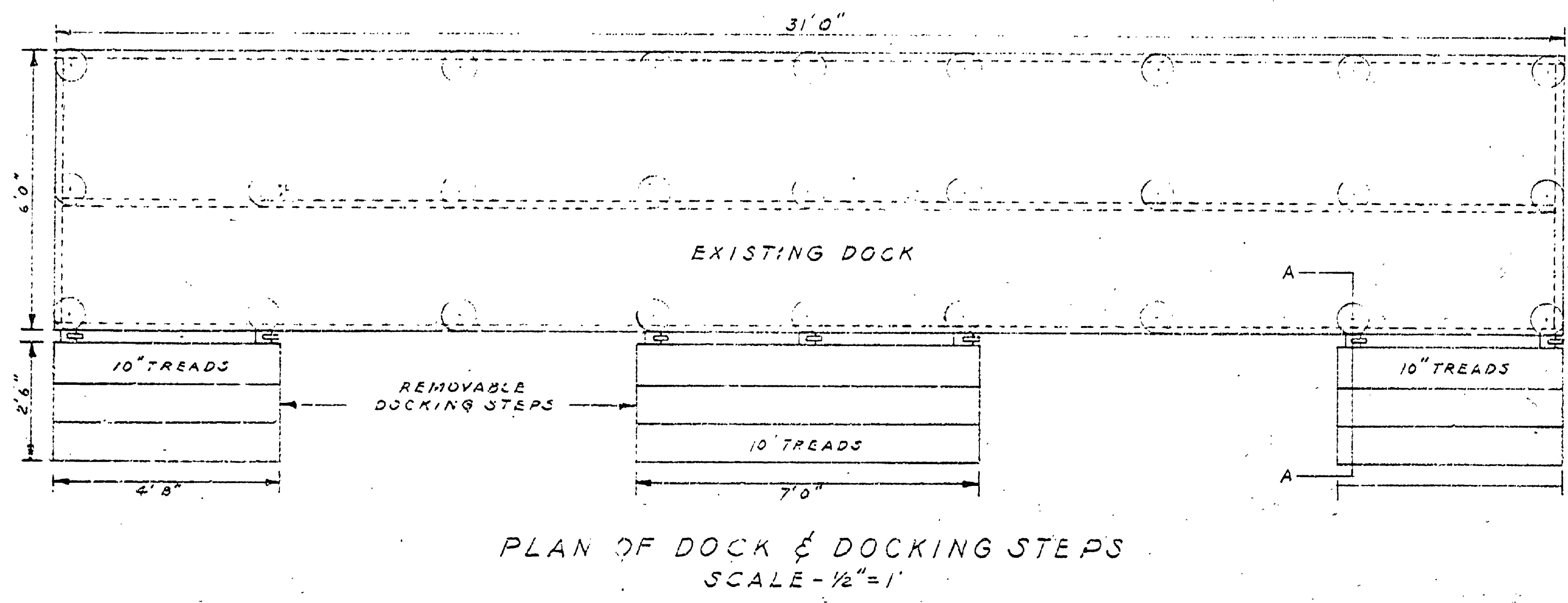


DATE BY									
REVISIONS	4	B							
NO.	1	2	3						
DATE									
APPROVED BY									
ASSISTANT CHIEF IN CHARGE OF DESIGN									
REVIEWED BY SECTIONS									
ARCHITECTURAL									
ENGINEERING									
LANDSCAPE									
TRACED BY									
CHECKED BY	J. I. R.								
DATE	5-1-59								



NOTE - The floating ramp may be removed from the dock by removing the hinge pins or it may be propped on the dock as shown. Bolts may be hung from ramps to obtain the correct elevation of the dock end above water level.