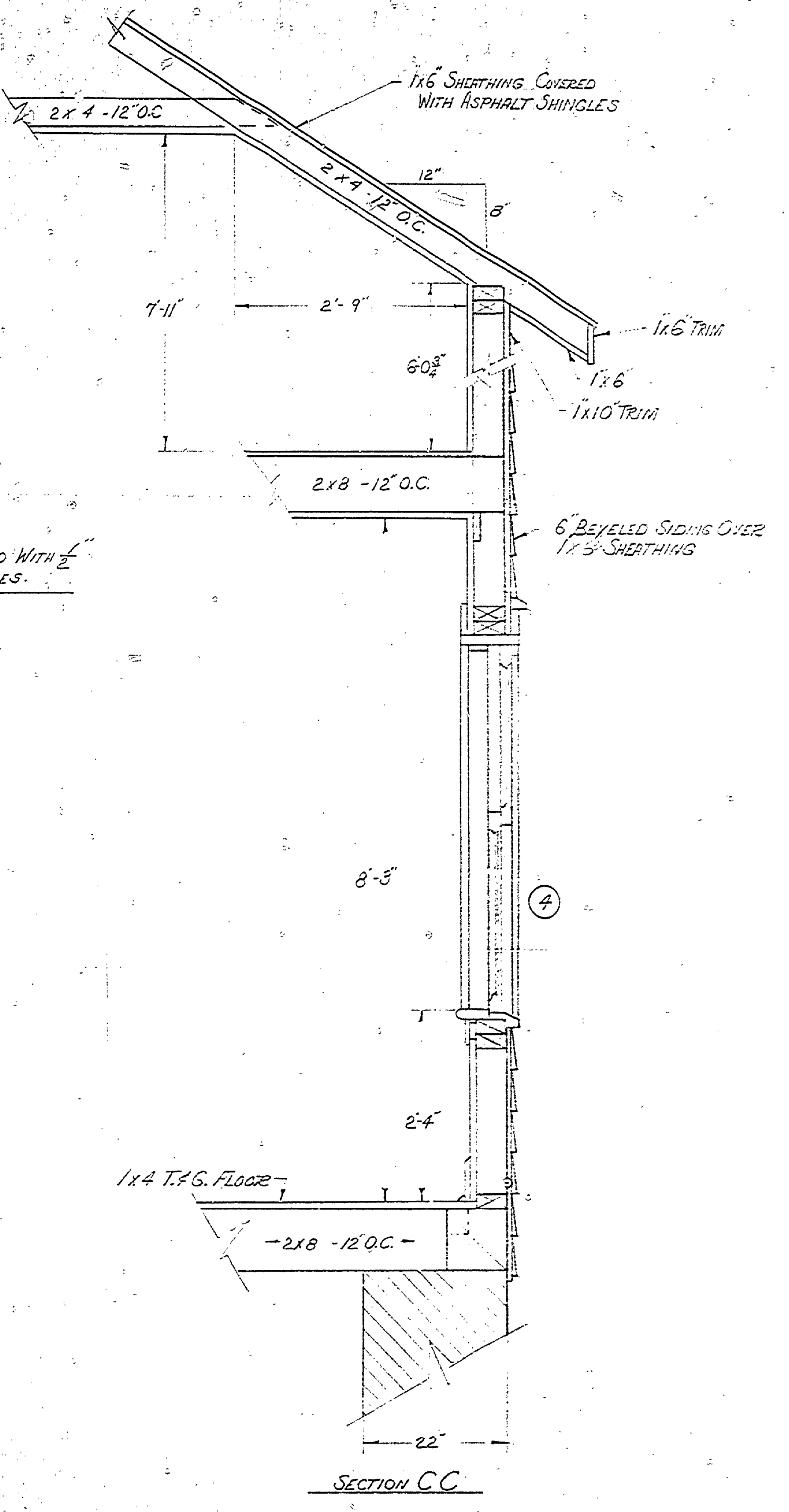
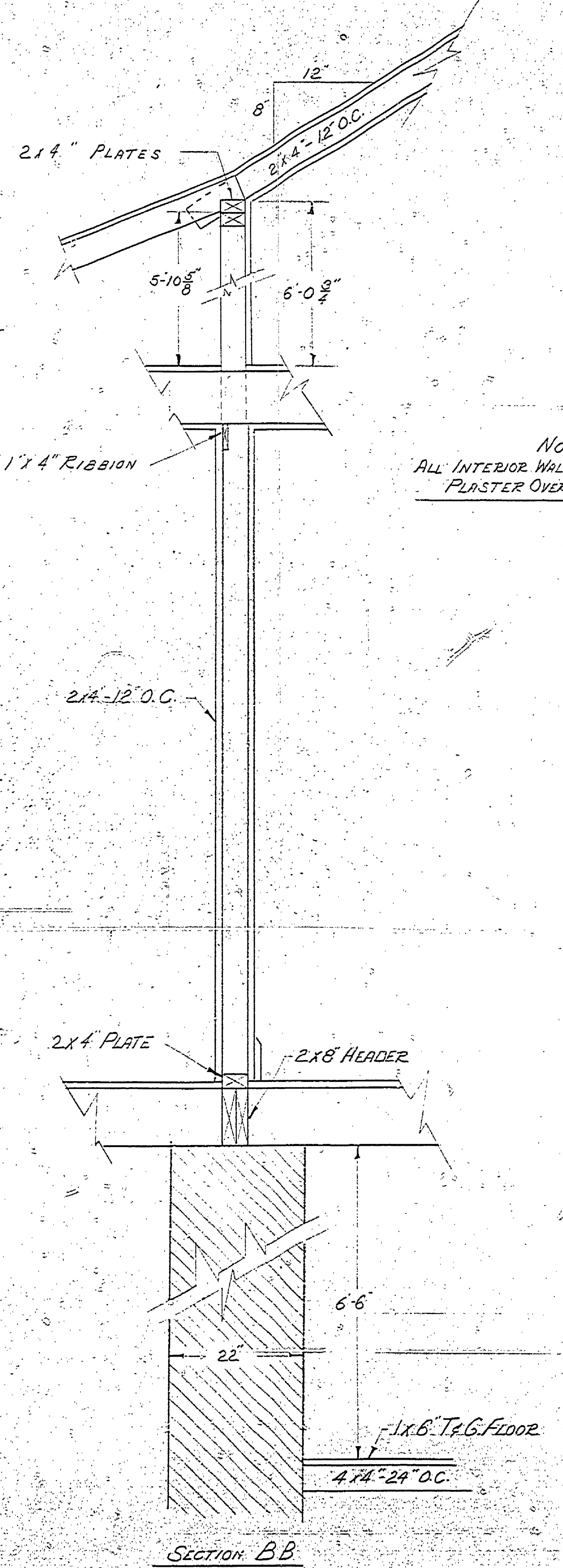
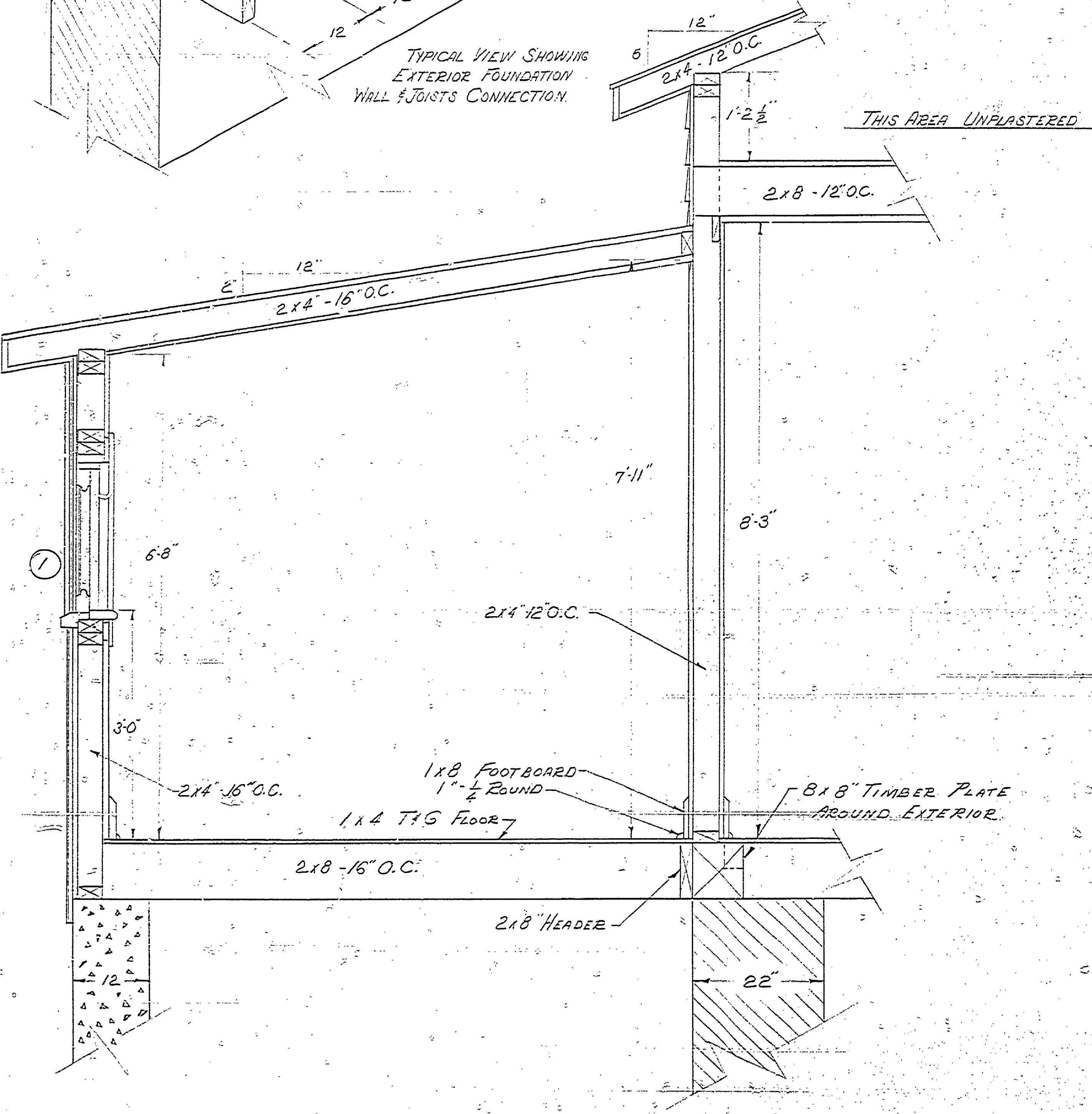
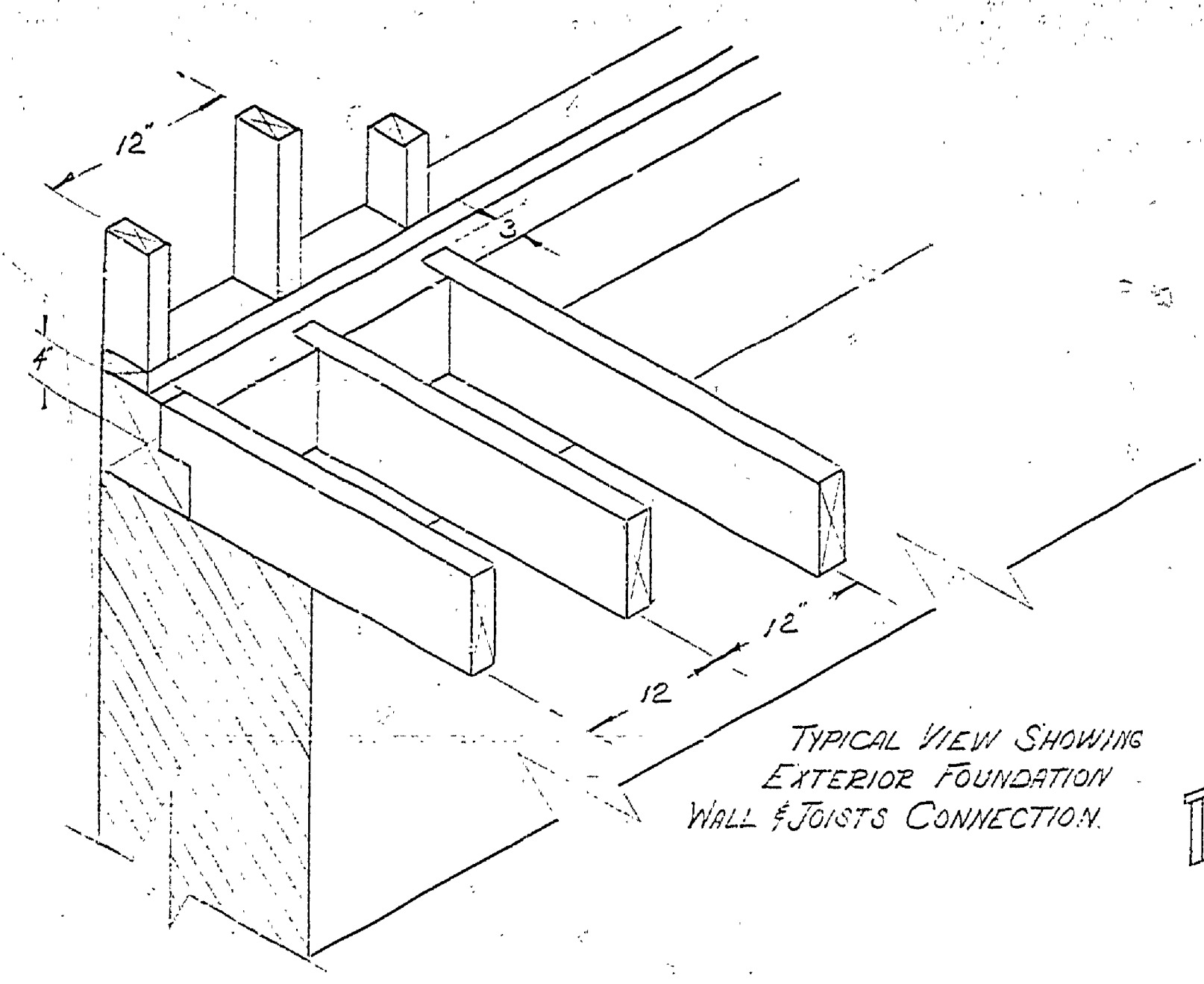


DESIGNED BY	DATE	REVIEWED	DATE	APPROVED	DATE	NO.	DATE	BY
DRAWN BY		ARCHITECTURAL				1		
CHECKED BY		ENGINEERING				2		
		LANDSCAPE				3		
						4		
						5		
						6		



NOTE
ALL INTERIOR WALLS COVERED WITH 1/2" PLASTER OVER 1/4" LATHES.

SCALE
1"=1'0"

BLDG # 4

MICHIGAN DEPARTMENT OF CONSERVATION
PARKS AND RECREATION DIVISION

MEASURED DRAWINGS
FAYETTE HISTORICAL TOWNSITE
FAYETTE STATE PARK

SHEET NO. 2 OF 4

PLAN NO. A-4