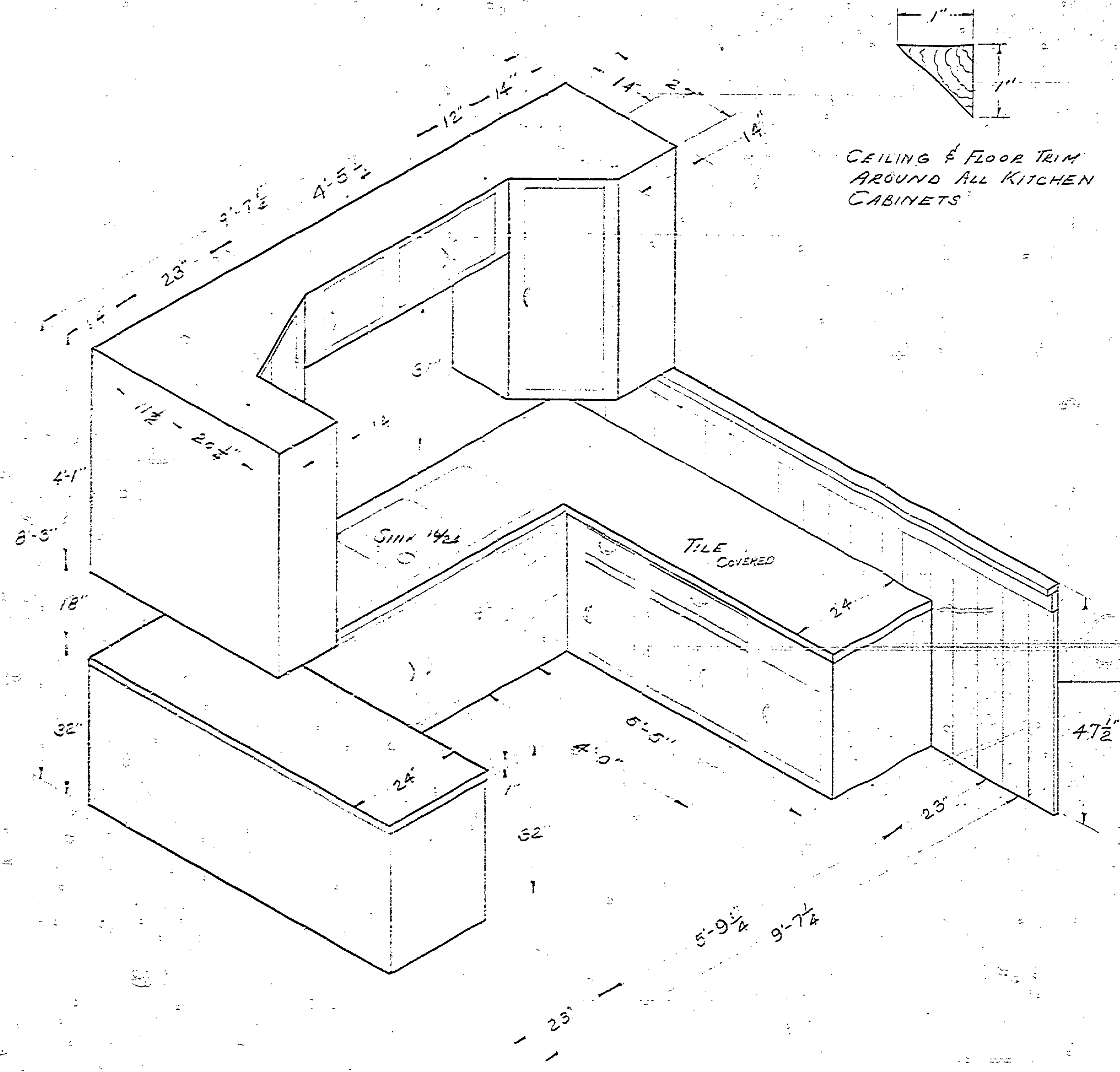
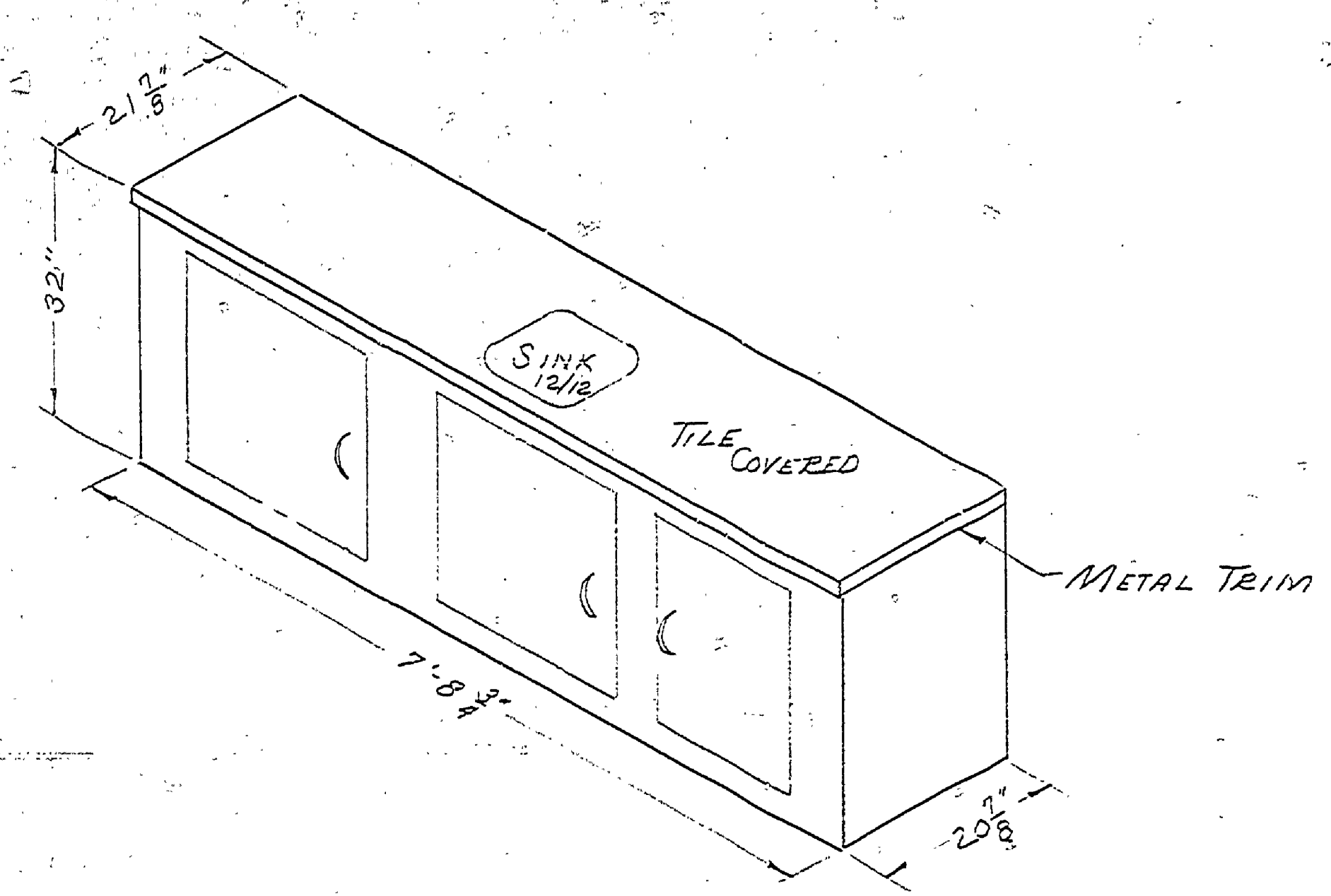


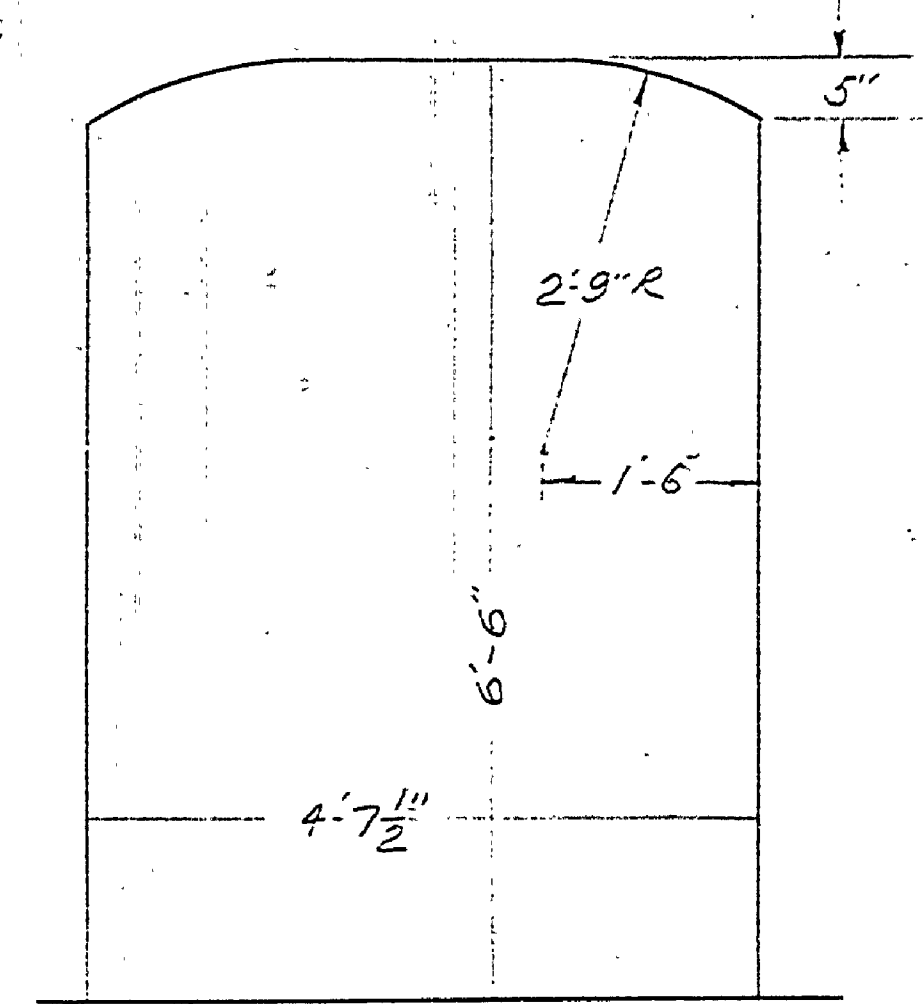
DESIGNED BY	DRAWN BY	CHECKED BY	DATE	REVIEWED	DATE	APPROVED	DATE	NO.	DATE	REVISIONS	DATE	BY
								1		4		
								2		5		
								3		6		



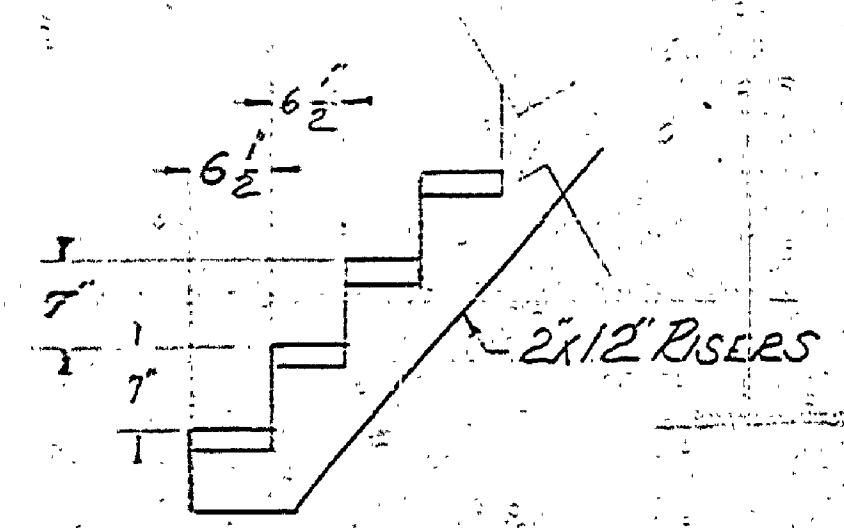
LAYOUT PLAN OF KITCHEN CABINETS
CONSTRUCTED IN 1960



ISOMETRIC OF SINK & STORAGE CABINET
IN ROOM 205 CONSTRUCTED IN 1960



DETAIL OF ARCH BETWEEN KITCHEN
& LIVING ROOMS
RESTORED IN 1960



BASEMENT STAIR DETAIL

BLDG No. 4

SCALE 3/4" = 1'-0"