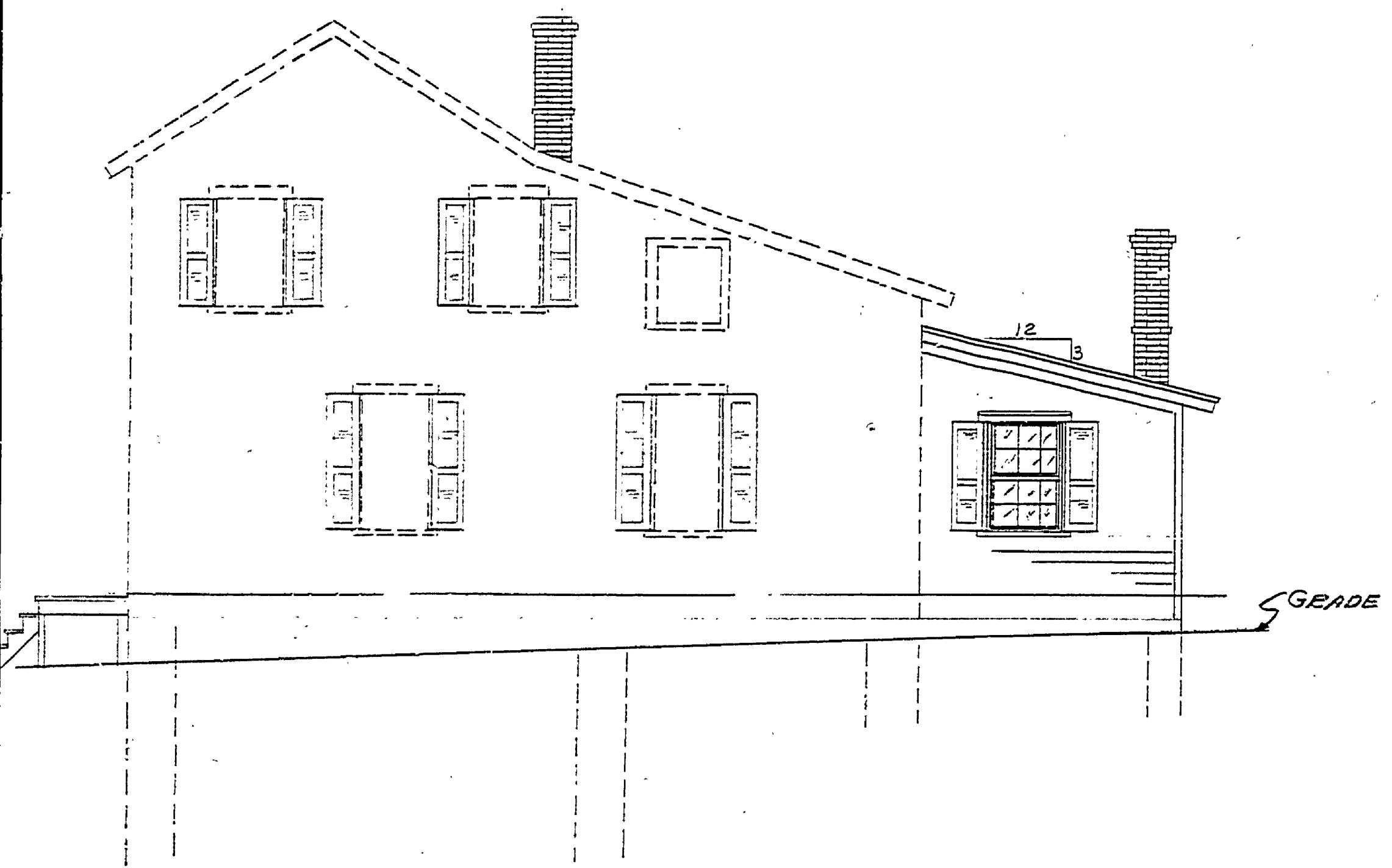
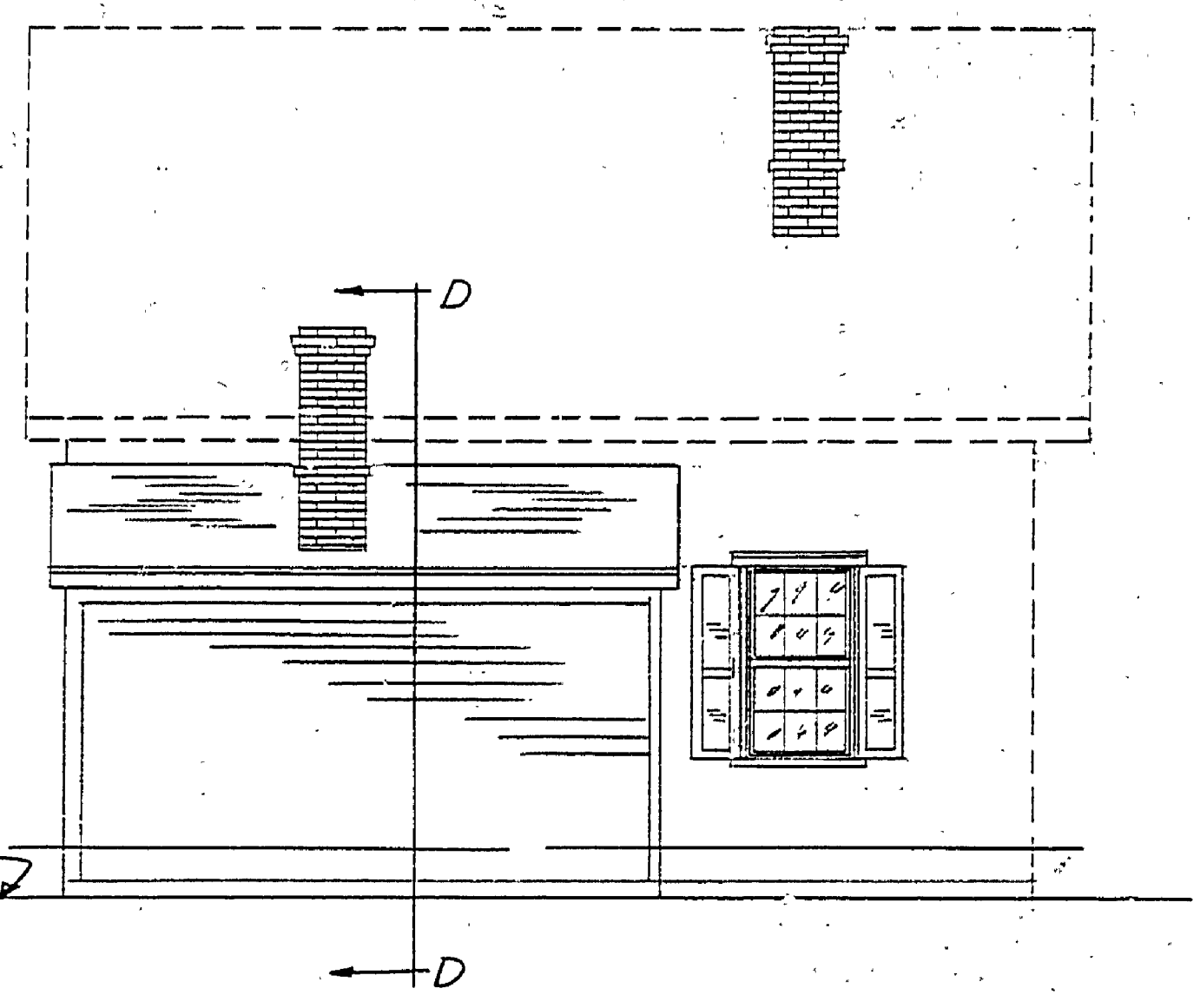


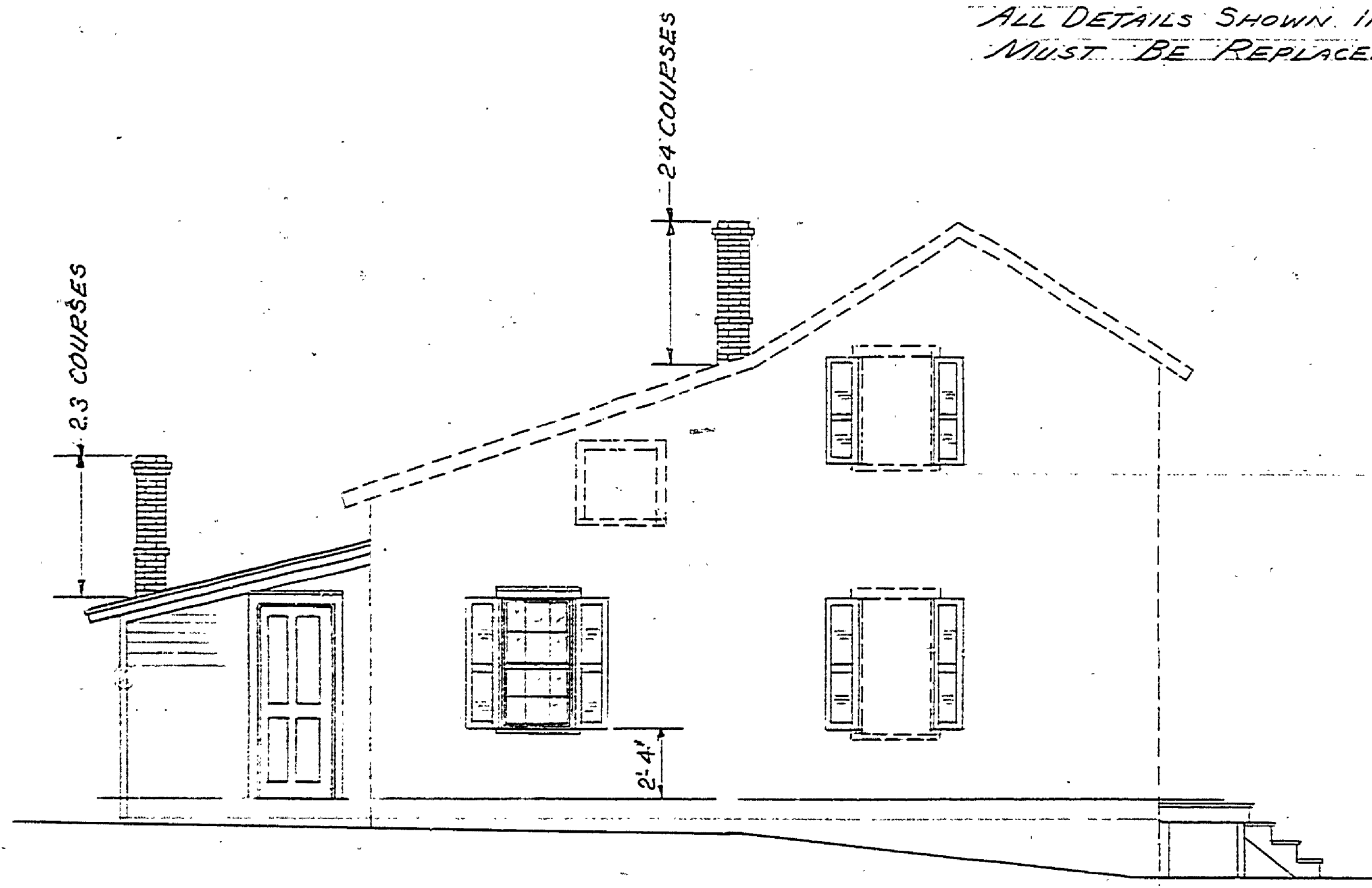
DESIGNED BY	DATE	REVIEWED	DATE	APPROVED	DATE	NO.	DATE	BY
DRIVEN BY <i>Jim Mackley</i>	3-28-62	ARCHITECTURAL				1		
DRAWN BY <i>Jim Mackley</i>	5-28-62	ENGINEERING				2		
CHECKED BY		LANDSCAPE				3		
						4		
						5		
						6		



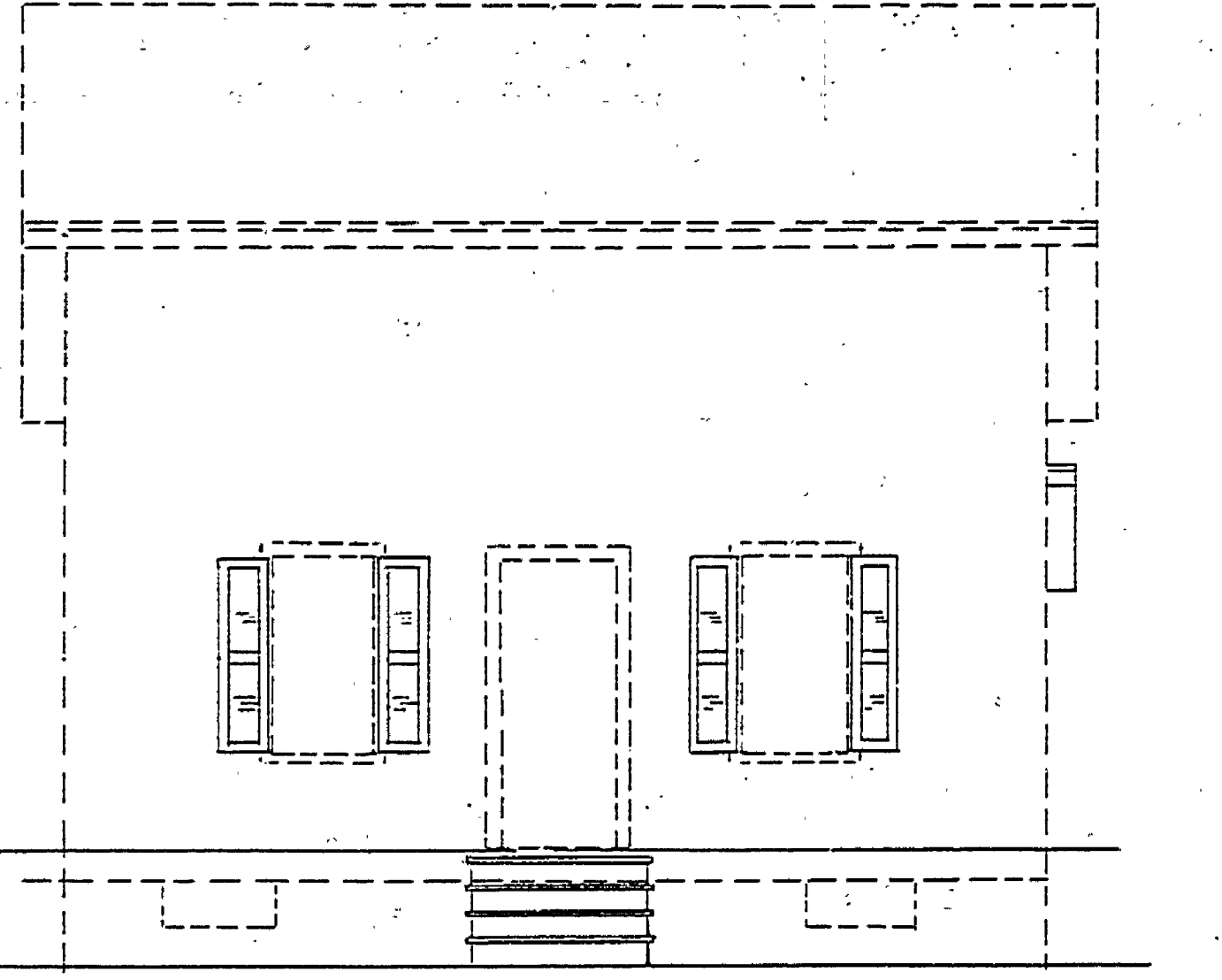
NORTH ELEVATION



WEST ELEVATION



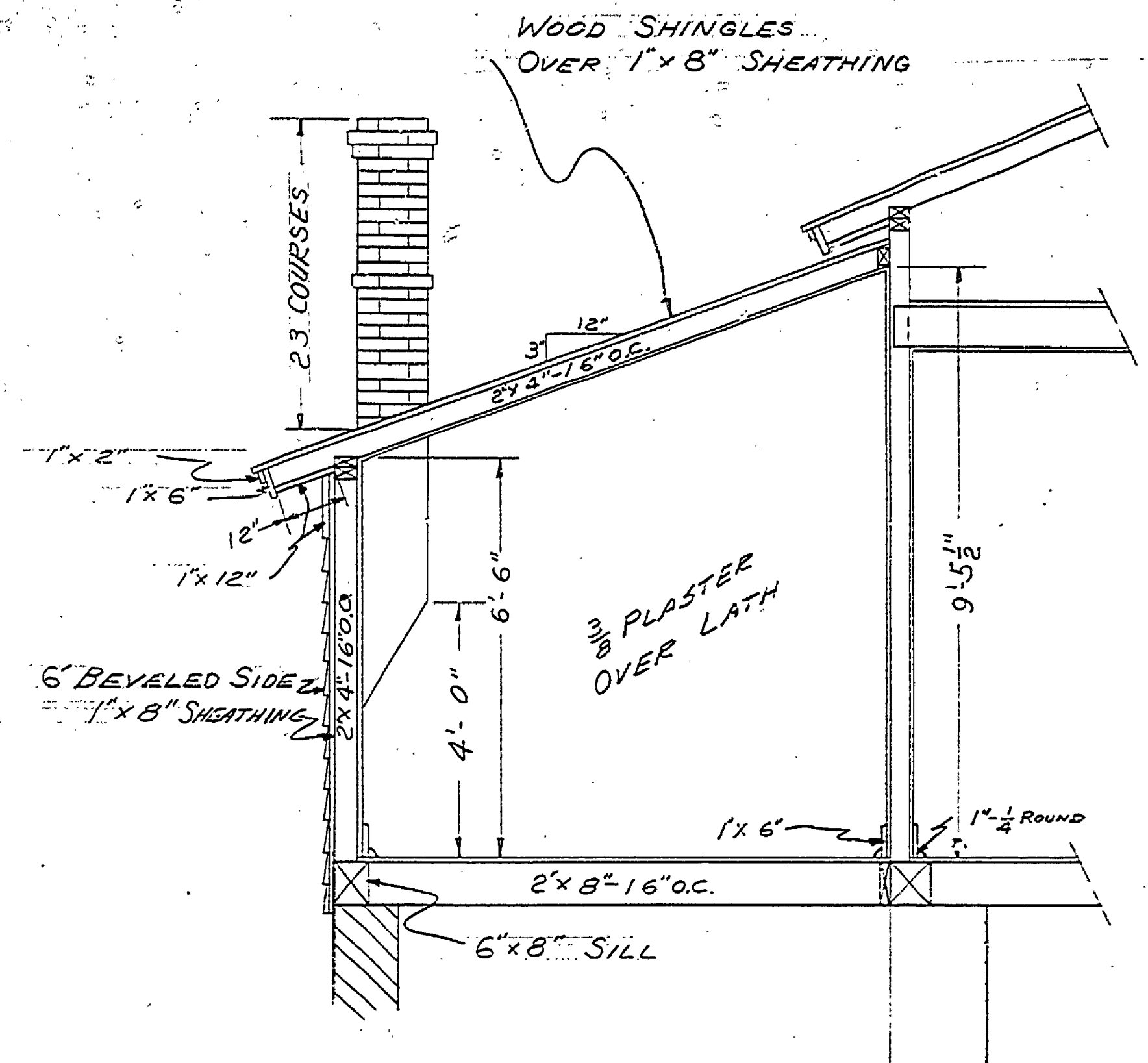
SOUTH ELEVATION



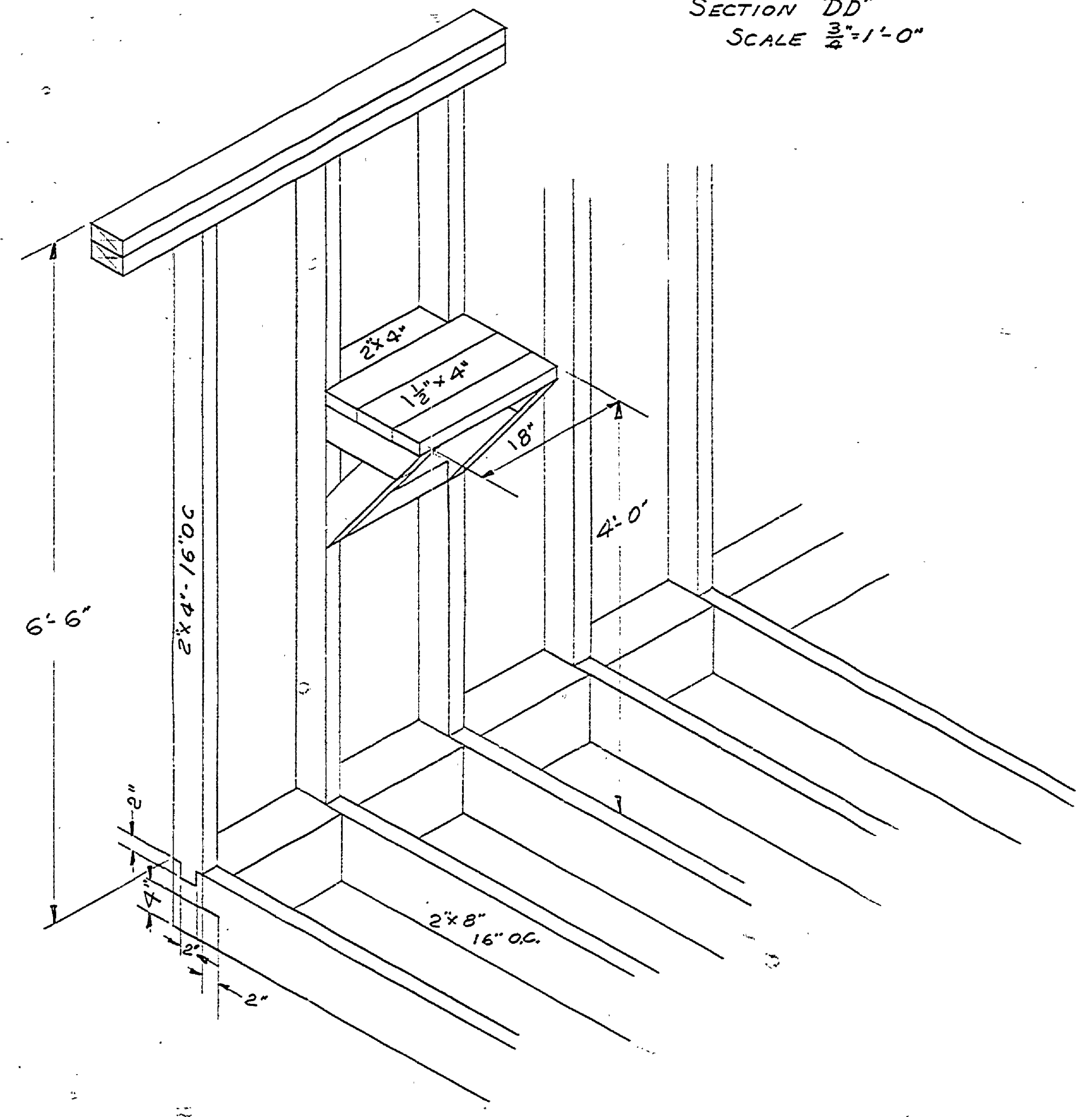
EAST ELEVATION

NOTE:
ALL DETAILS SHOWN IN SOLID LINES
MUST BE REPLACED

SCALE 1/4" = 1'-0"



SECTION DD'
SCALE 3/8" = 1'-0"



PICTORIAL DETAIL OF CHIMNEY SEAT
SCALE 1" = 1'-0"

BLOG # 4