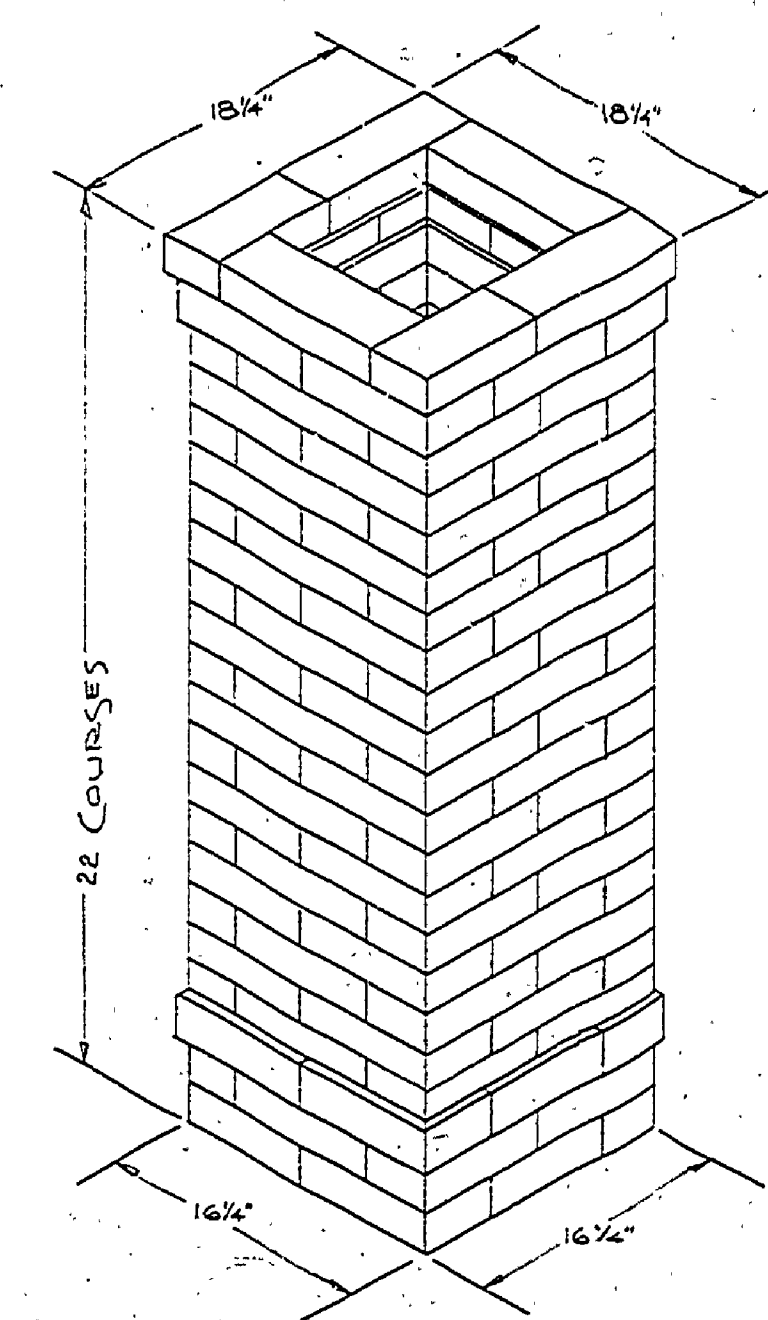
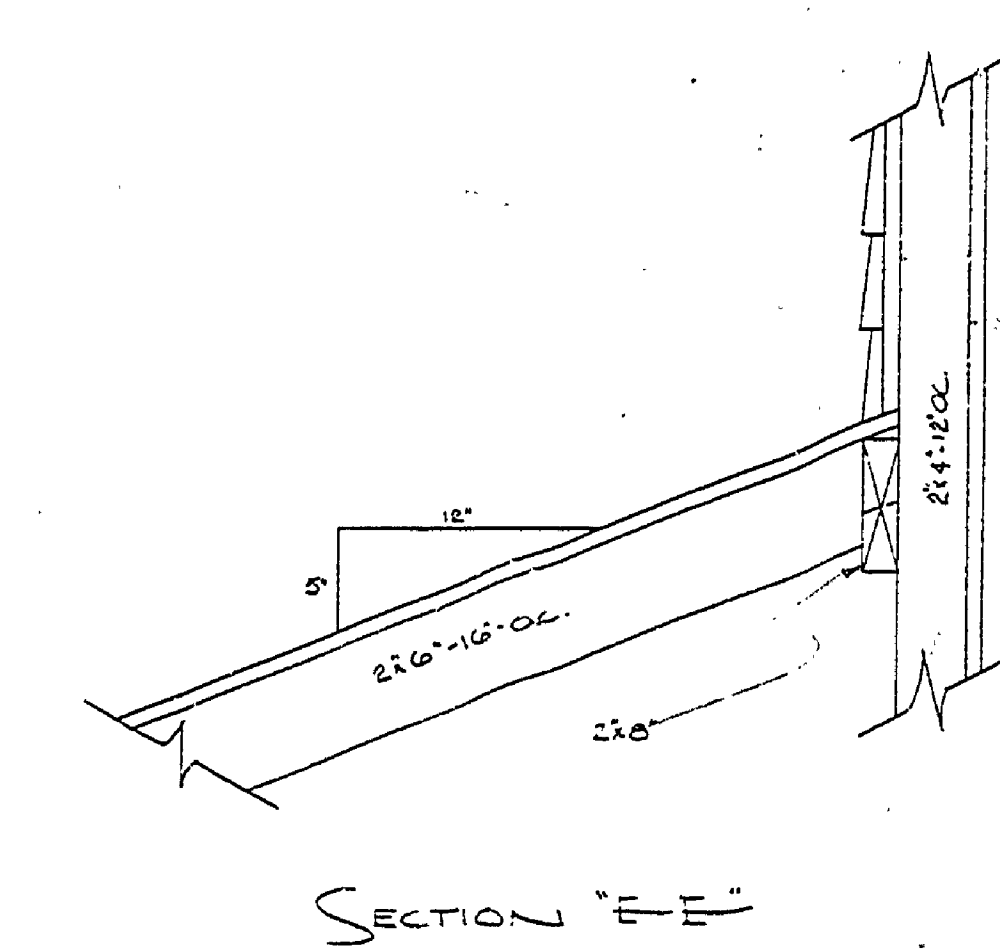
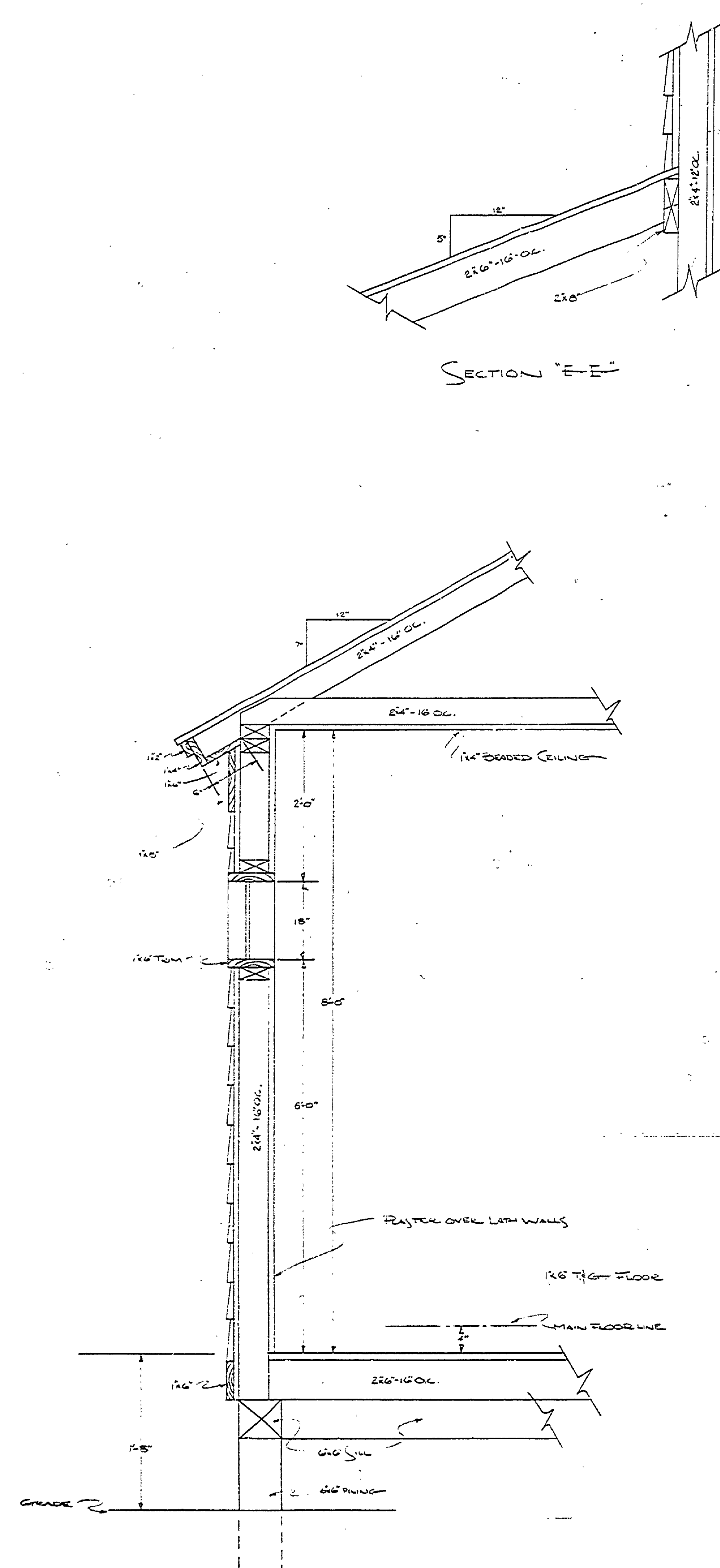
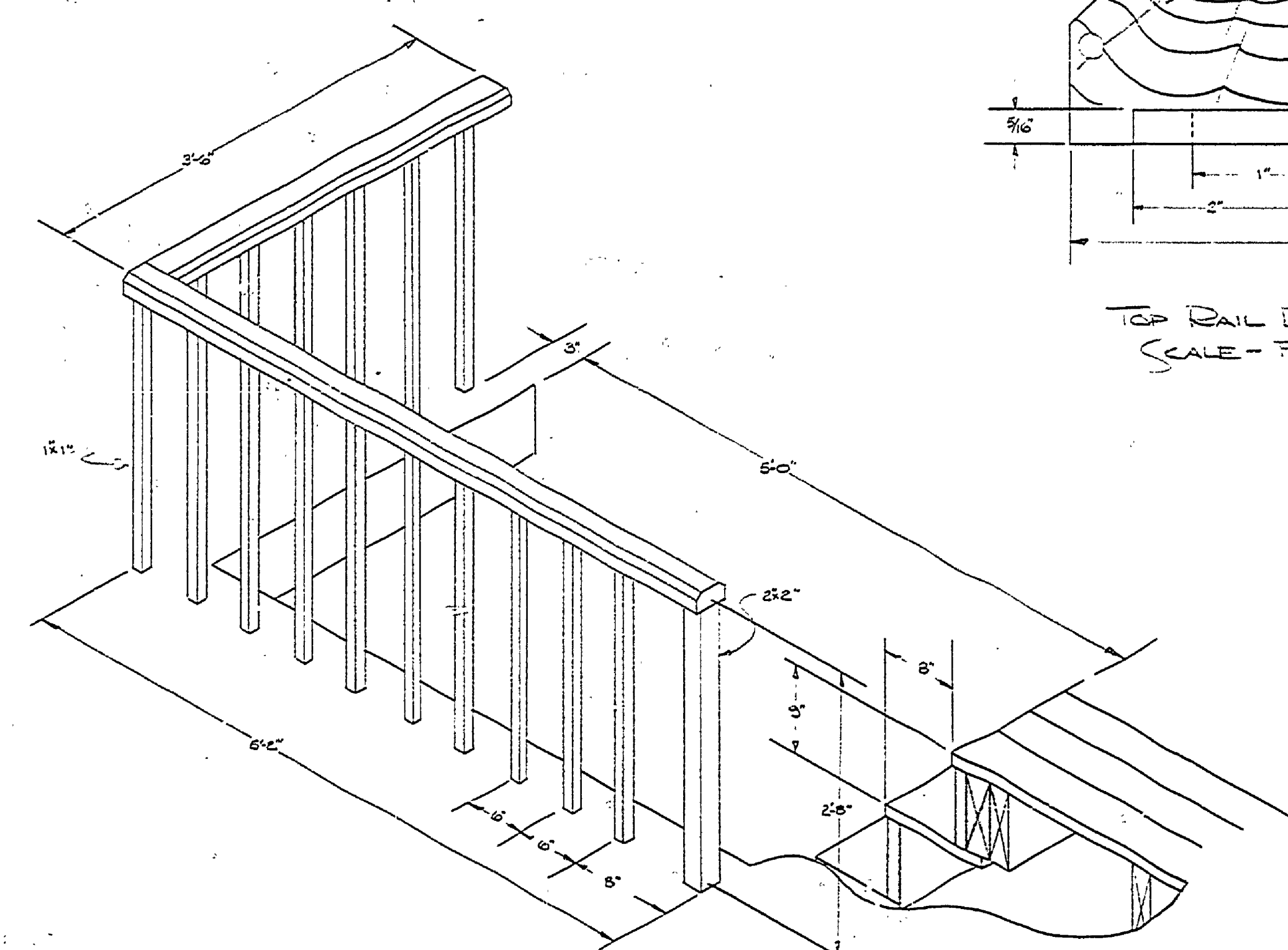


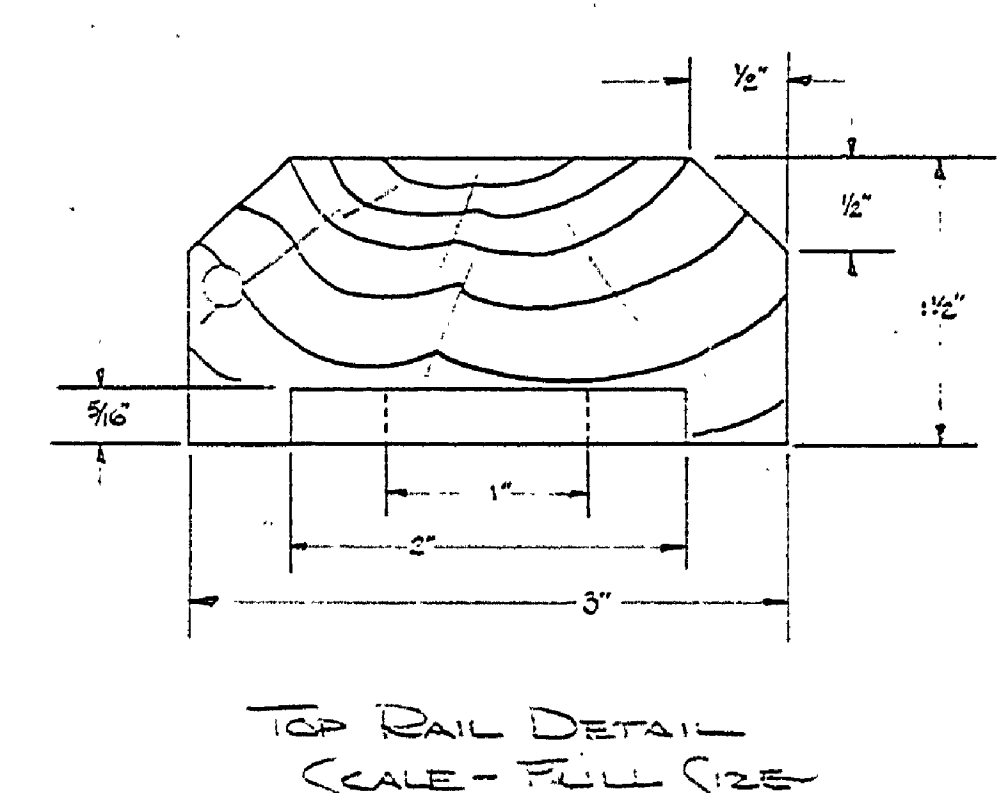
DESIGNED BY	DATE	REVIEWED	DATE	APPROVED	DATE	NO.	DATE	BY	REVISIONS	DATE	BY
DESIGNED BY	6/1/62	ARCHITECTURAL				1			4		
DRAWN BY	6/1/62	ENGINEERING				2			5		
CHECKED BY		LANDSCAPE				3			6		



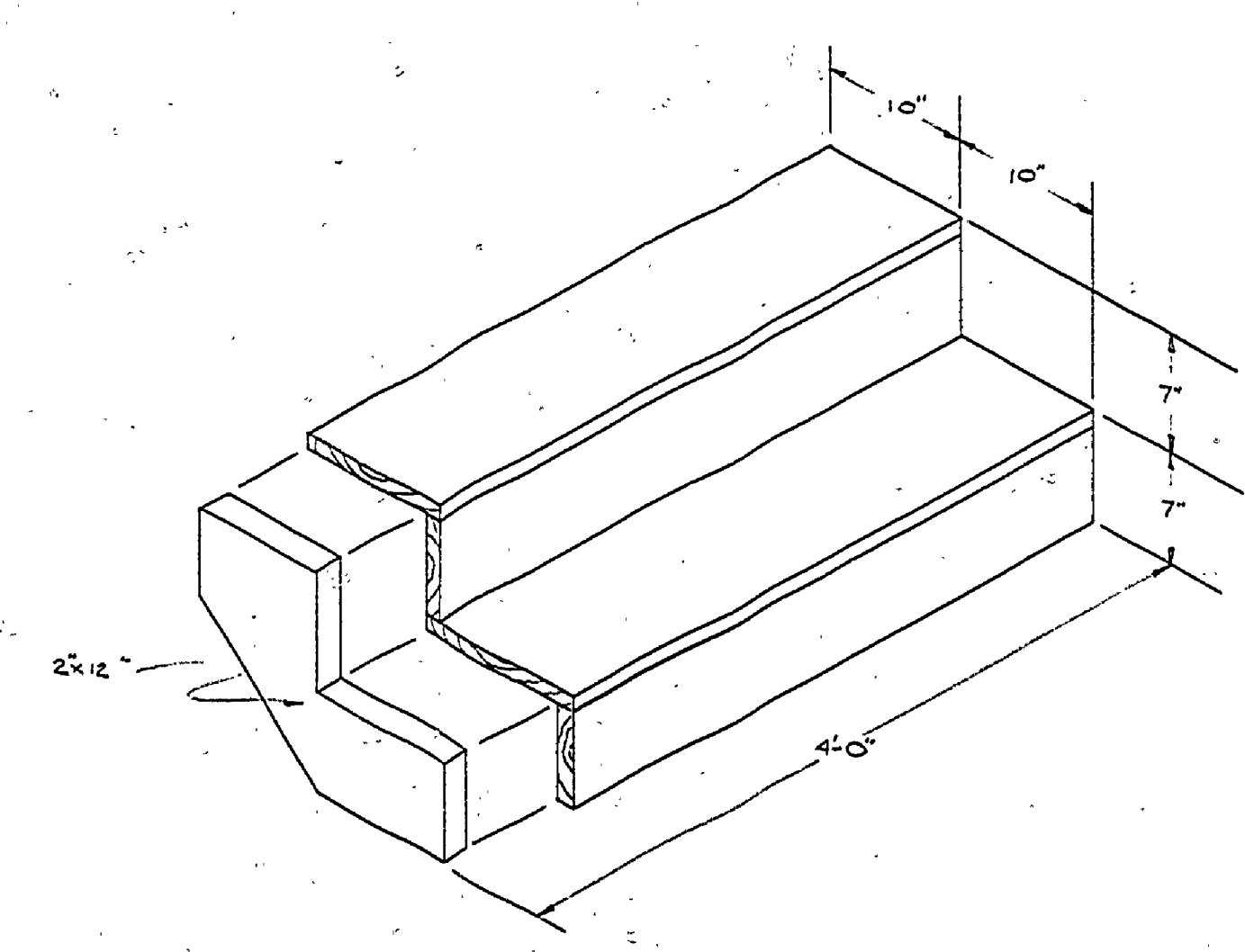
CHIMNEY DETAIL ABOVE ROOF  
 1/2" MORTAR JOINTS  
 TOTAL HEIGHT 6'-8 1/4"



PICTORIAL OF STAIR WELLE SAFETY RAIL  
 12 STEPS - 9" RISE - 8" TREAD



TOP RAIL DETAIL  
 SCALE - FULL SIZE



FRONT STEPS DETAIL

BUILDING # 6

MICHIGAN  
 DEPARTMENT OF CONSERVATION  
 PARKS AND RECREATION DIVISION

CONCEPTUAL DRAWING  
 FAYETTE HISTORICAL TOWNSITE  
 FAYETTE GATE PARK

SHEET  
 NO. 4  
 OF 4

PLAN NO.  
 A-6