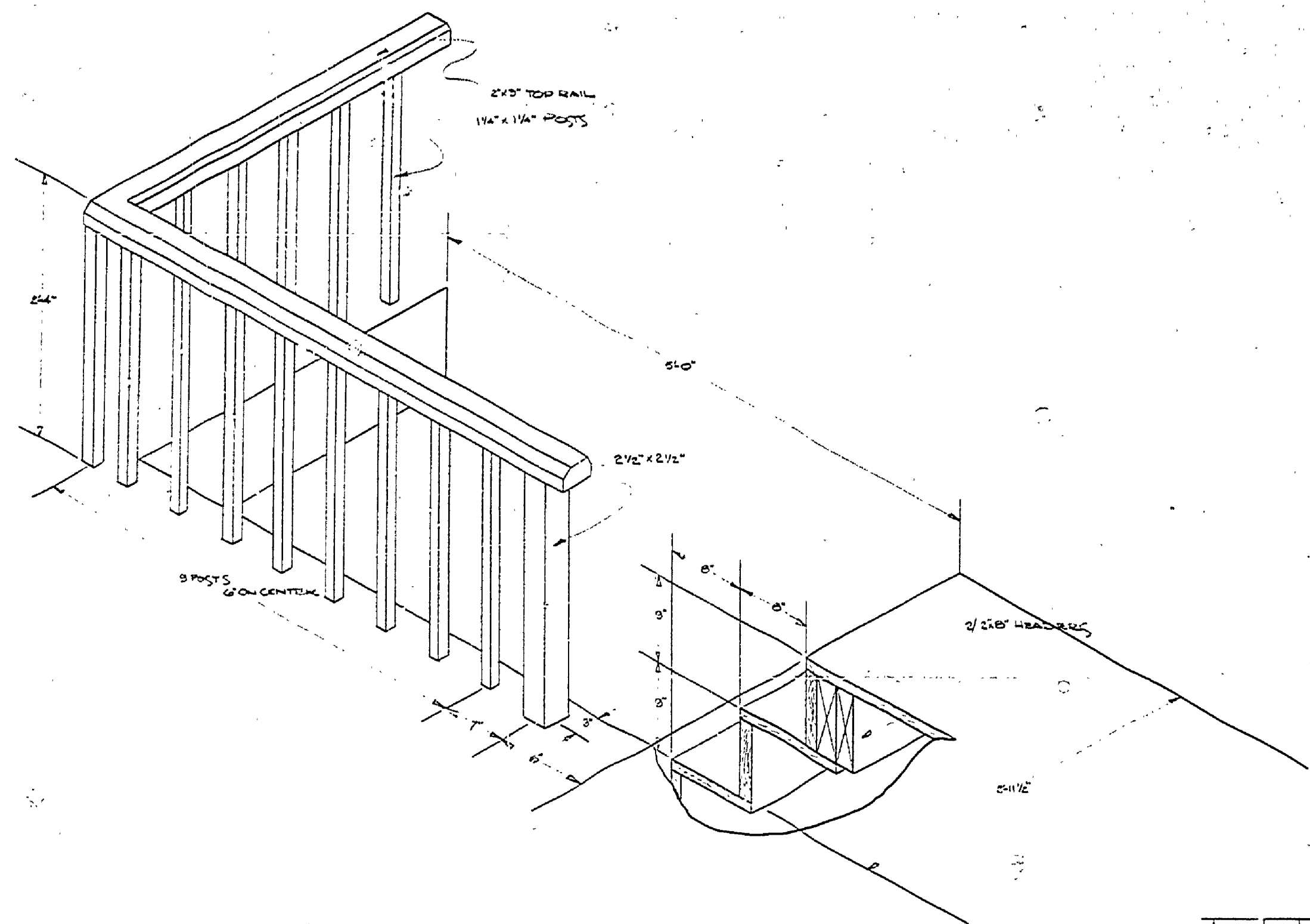
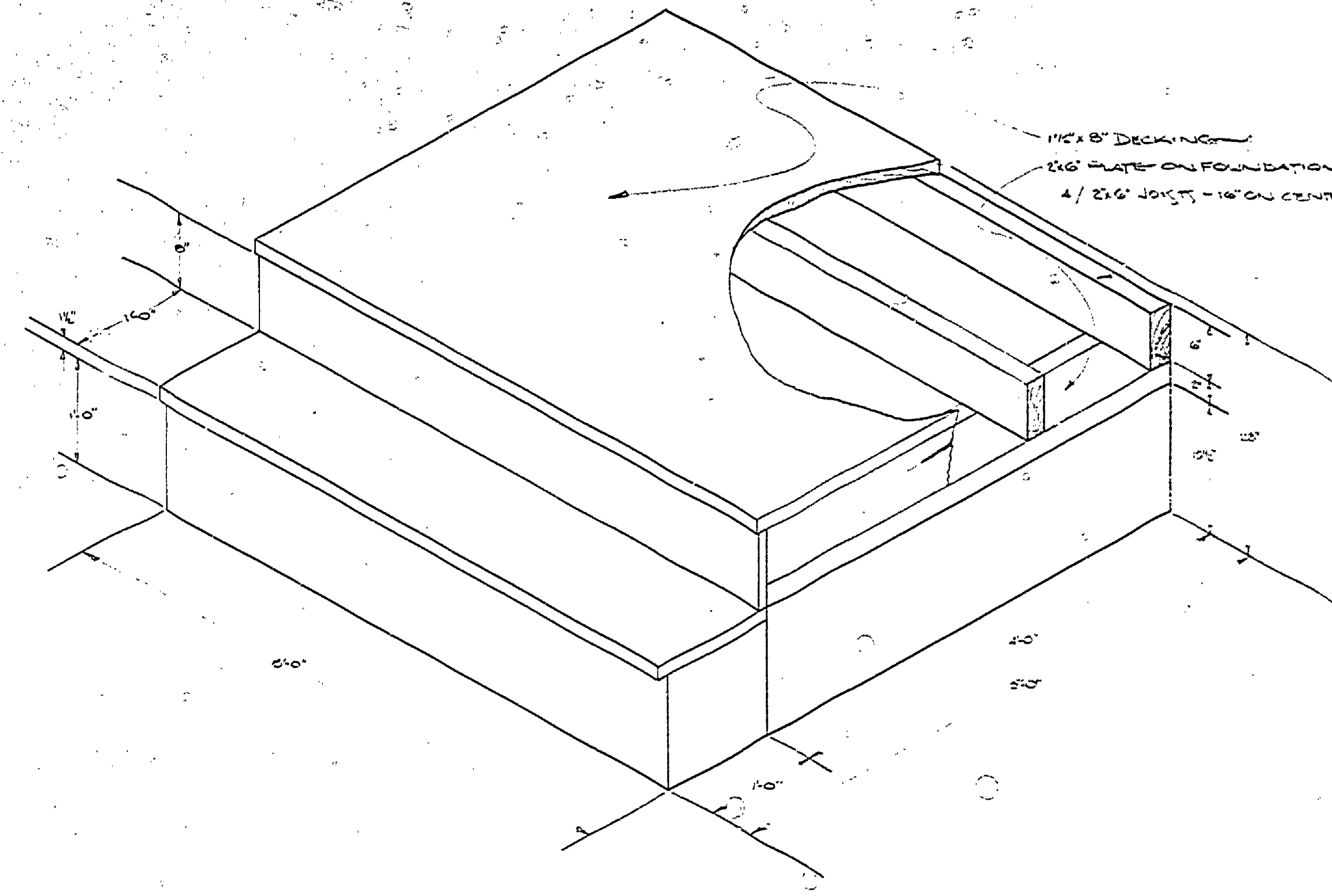


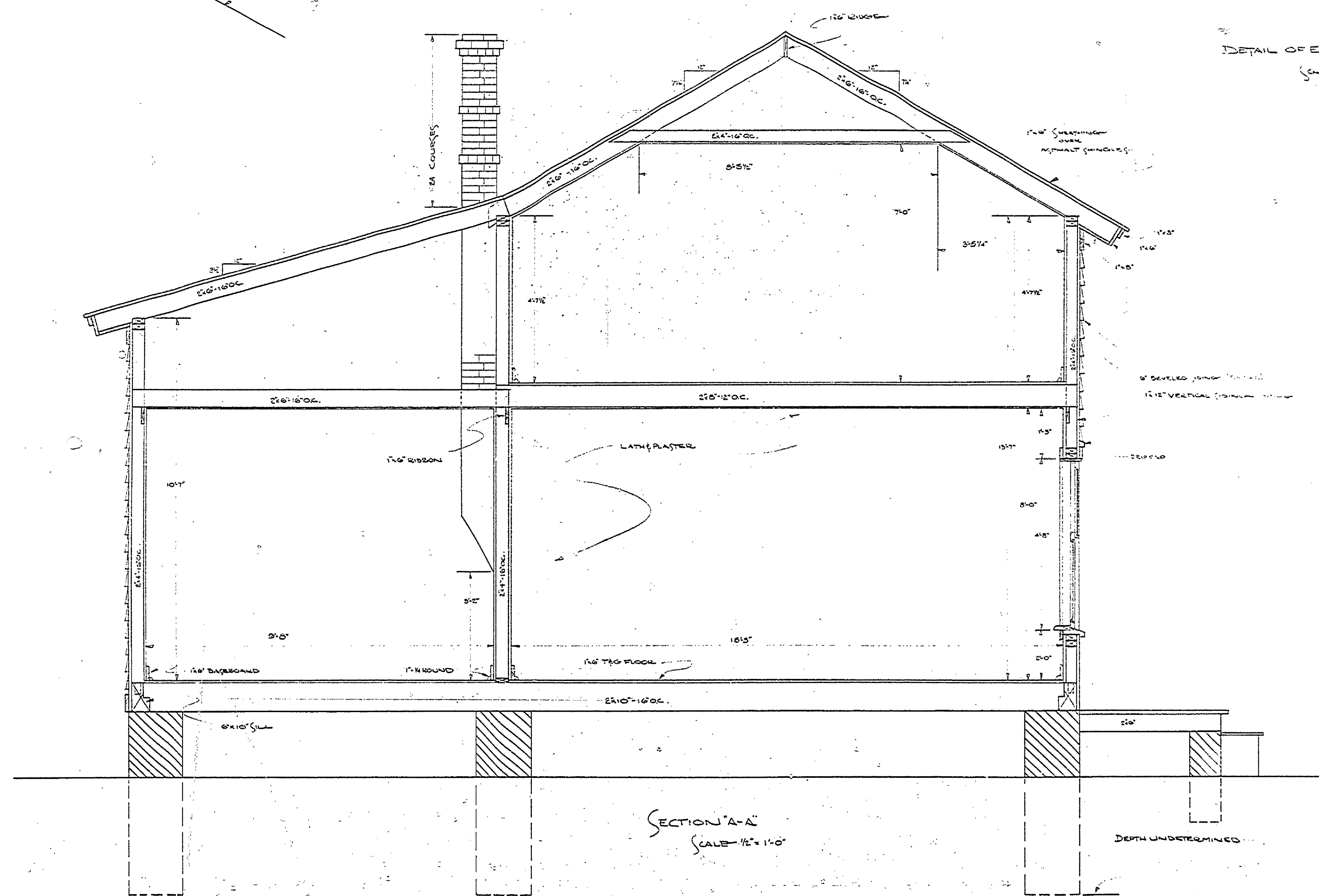
DATE	REVIEWED	APPROVED	DATE	NO.	DATE	BY	REVISIONS	DATE	BY
7/13/20	ARCHITECTURAL		1				4		
7/13/20	ENGINEERING		2				5		
	LANDSCAPE		3				6		



DETAIL OF STAINLESS STEEL SAFETY RAIL
(SAFETY RAIL PARTIALLY MISSING)
SCALE 1/4" = 1'-0"



DETAIL OF COPING
SCALE 1/4" = 1'-0"



SECTION A-A
SCALE 1/8" = 1'-0"

BUILDING #7

MICHIGAN
DEPARTMENT OF CONSERVATION
PARKS AND RECREATION DIVISION

MEASURED DRAWING
FAYETTE HISTORICAL TOWNSITE
FAYETTE STATE PARK

SHEET
NO. 2
OF 2

PLAN NO.
A-7