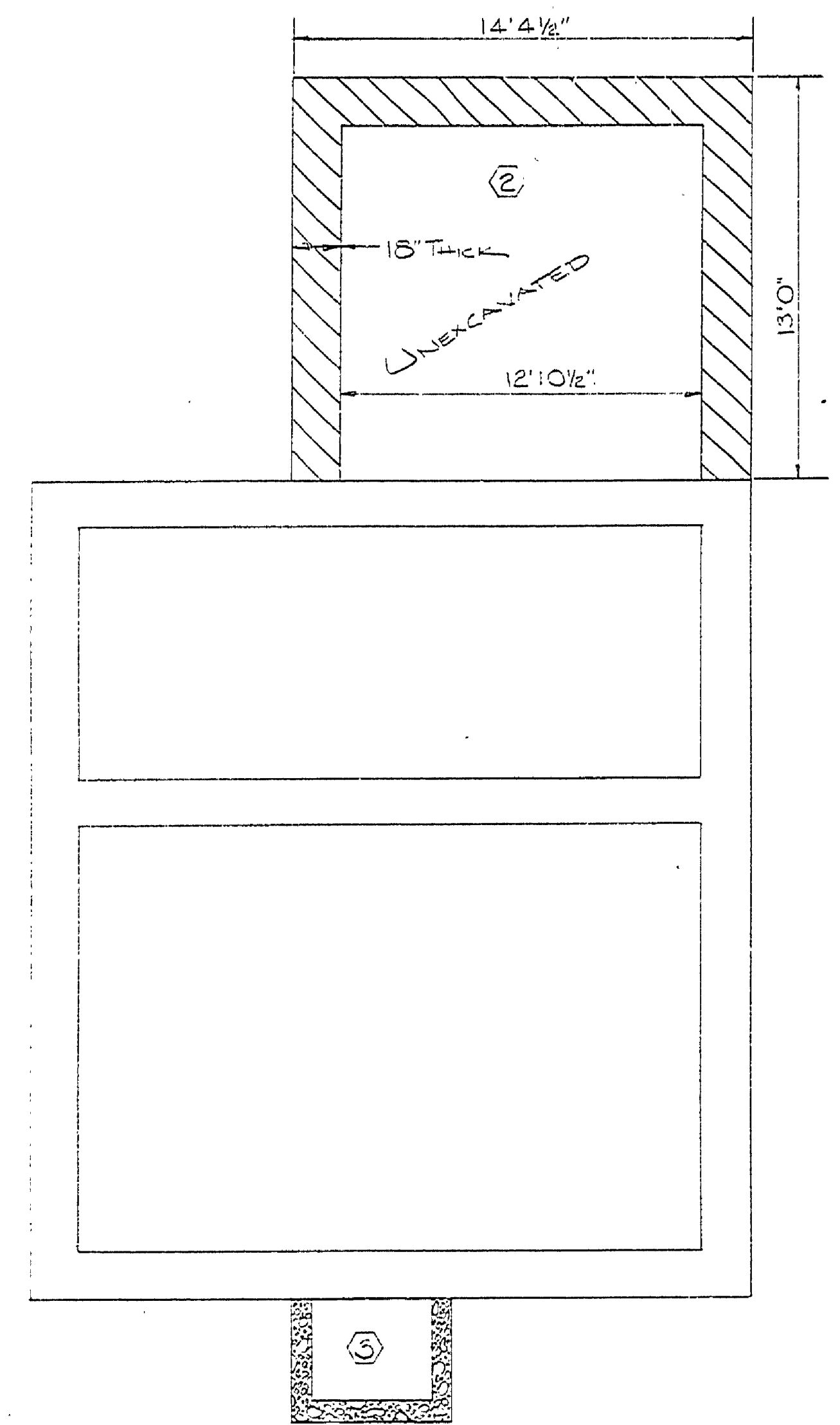
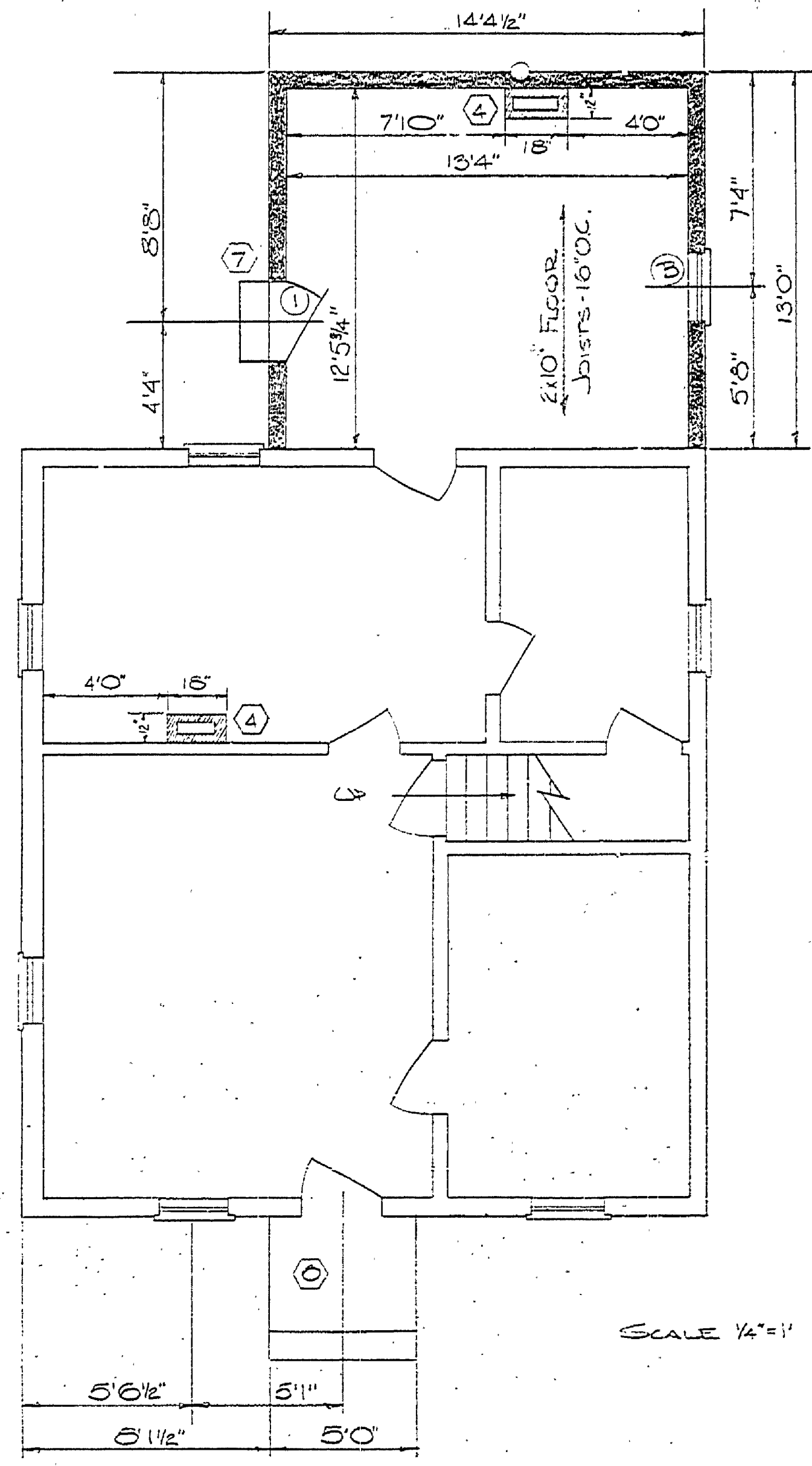


| DESIGNED BY | DRAWN BY | CHECKED BY | DATE | REVIEWED | DATE | APPROVED | DATE | NO. | DATE | BY | REVISIONS | DATE | BY |
|-------------|----------|------------|---------|---------------|------|----------|------|-----|------|----|-----------|------|----|
| | | | 5/20/06 | ARCHITECTURAL | | | | 1 | | | 4 | | |
| | | | 3/8/06 | ENGINEERING | | | | 2 | | | 5 | | |
| | | | | LANDSCAPE | | | | 3 | | | 6 | | |

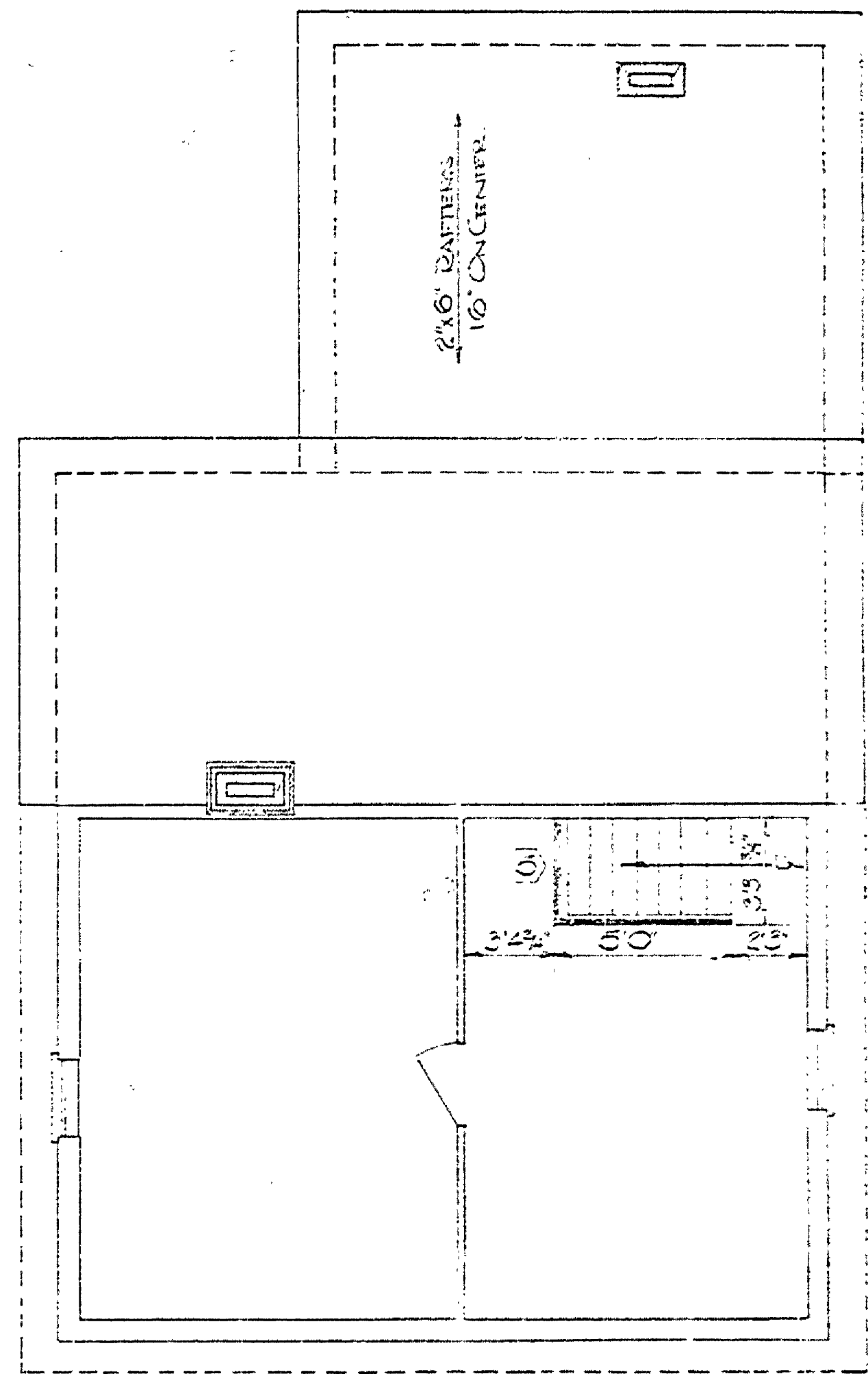


FOUNDATION PLAN



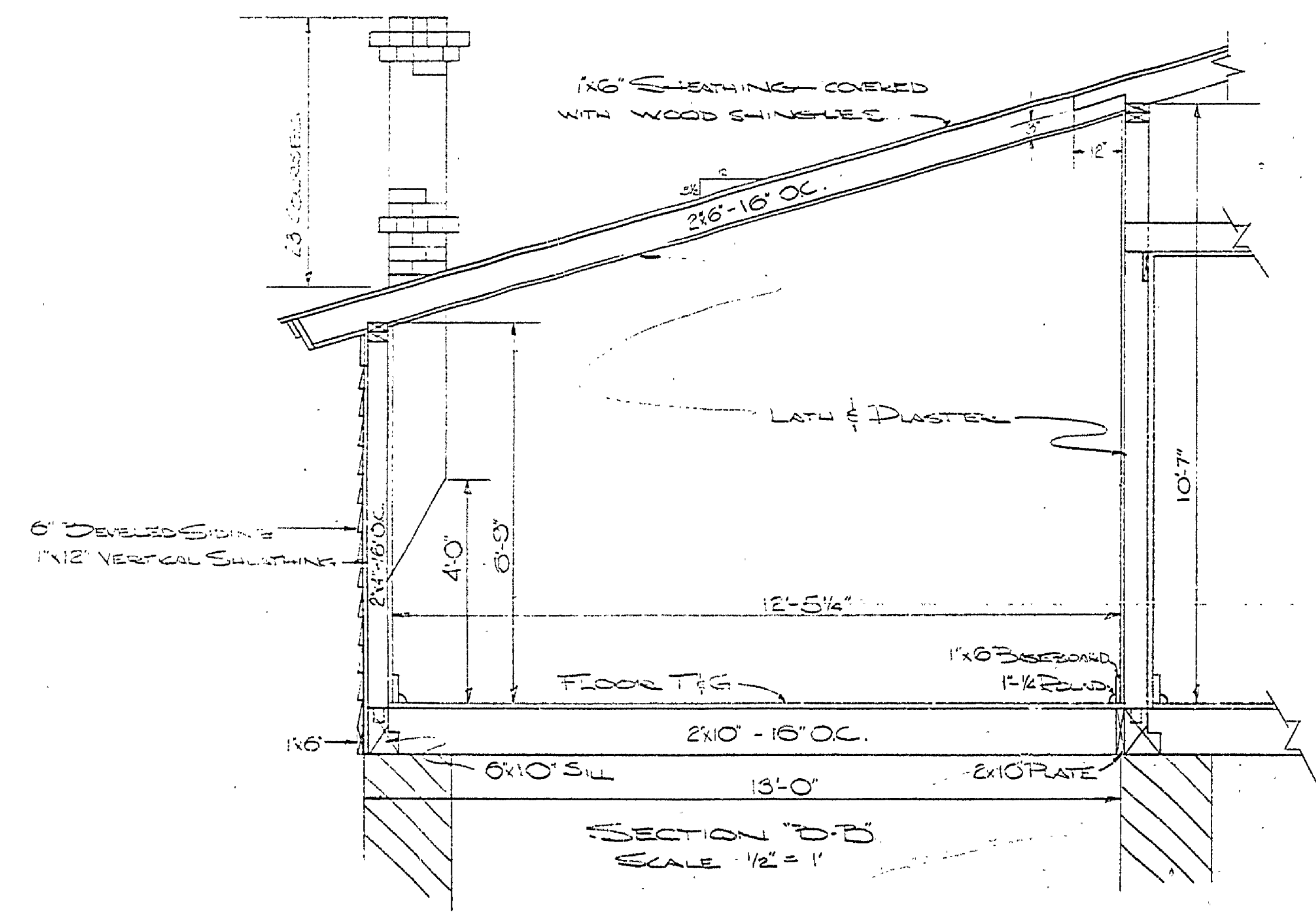
FIRST FLOOR PLAN

SCALE 1/4" = 1'



SECOND FLOOR PLAN

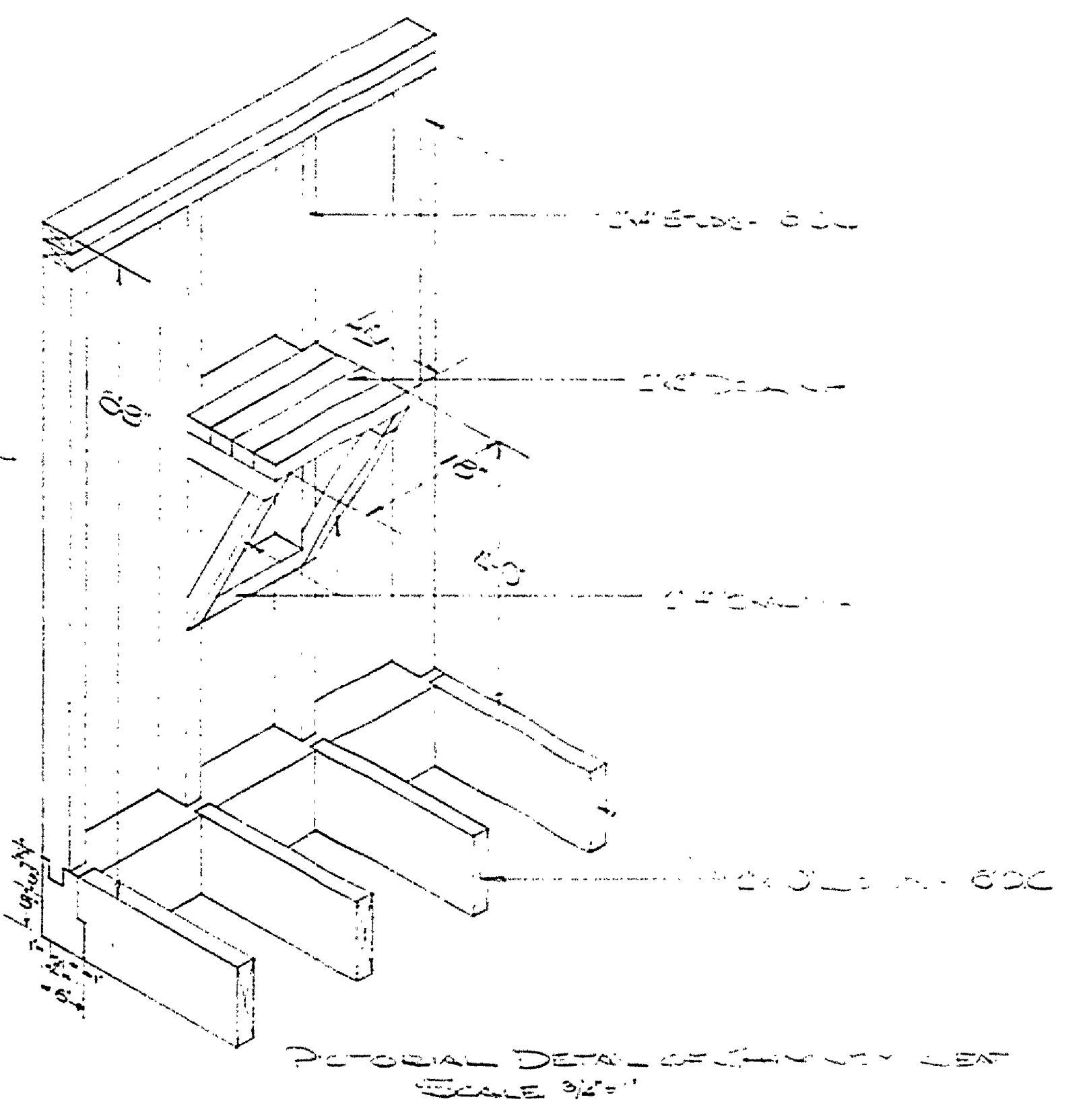
- MATERIAL LEGEND**
- LIMESTONE FOUNDATION TO BE REPLACED
 - BRICK CHIMNEYS TO BE REPLACED
 - WOOD FRAME ROOFING TO BE REPLACED
 - EAST SIDE PORCH
 - WEST SIDE PORCH



SECTION 'D-D'
SCALE 1/2" = 1'

SPECIAL NOTES:
 THESE ARE TO BE USED FOR RESTORATION PURPOSES ONLY FOR INFORMATION AND DIMENSIONS ON EXISTING STRUCTURE. SEE MEASURED DRAWINGS. ALL DETAILS AND ADDITIONS SHOWN ON THESE DRAWINGS WERE TAKEN FROM NOTES MADE DURING 1907 SURVEY AND OBSERVATION OF EXISTING STRUCTURE. ALL DETAILS ARE AS AUTHENTIC AS POSSIBLE.

- NOTES:**
- (2) LIMESTONE FOUNDATION TO BE REPLACED. ONLY REQUIRED ABOVE GRADE LEVEL.
 - (3) LIMESTONE FOUNDATION FOR PORCH, TO BE REMOVED.
 - (4) BRICK CHIMNEYS TO BE REPLACED. SEE SECTIONS 'A-A' & 'B-B' FOR CONSTRUCTION DETAILS. (SECTION 'A-A' IS FOUND ON MEASURED DRAWINGS).
 - (5) SAFETY RAIL TO BE REPLACED. DETAIL ON SHEET #2.
 - (6) PORCH AND STEP TO BE REPLACED. DETAIL ON SHEET #2.
 - (7) STEP TO BE REPLACED. OPTIONAL CONSTRUCTION.
 - (8) WINDOW SCHEDULE ON MEASURED DRAWINGS.
 - (9) DOOR SCHEDULE ON MEASURED DRAWINGS.



POTENTIAL DETAIL OF WINDOW LEAF
SCALE 3/4" = 1'

BUILDING NO. 7

MICHIGAN DEPARTMENT OF CONSERVATION
 PARKS AND RECREATION DIVISION

RESTORATION DRAWINGS
 FAYETTE HISTORICAL TOWNHOME
 FAYETTE STATE PARK

SHEET NO. 1 OF 2

PLAN NO. A-72