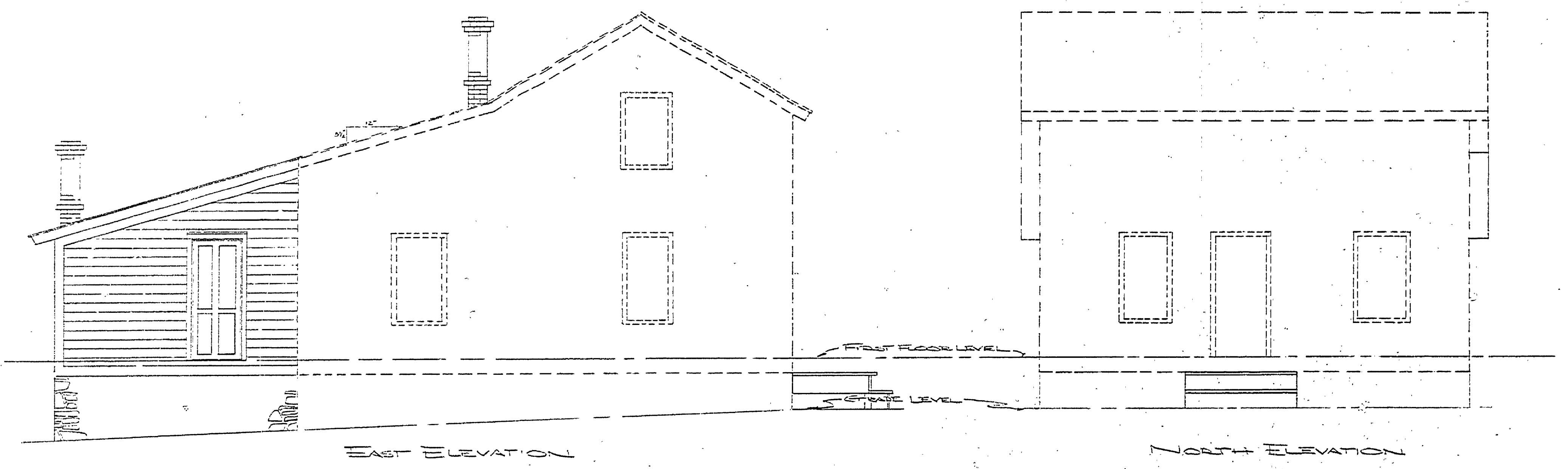
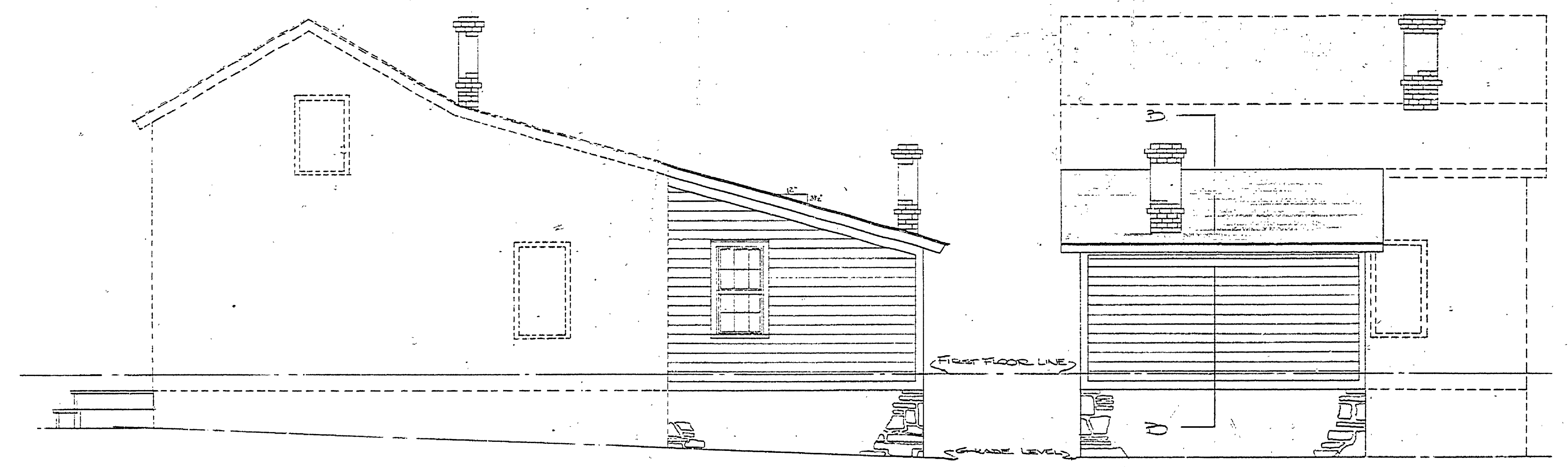


DESIGNED BY	DRAWN BY	CHECKED BY	DATE	REVIEWED	DATE	APPROVED	DATE	NO.	DATE	REVISIONS	DATE
			4/2/68	ARCHITECTURAL				1		4	
			4/2/68	ENGINEERING				2		5	
				LANDSCAPE				3		6	

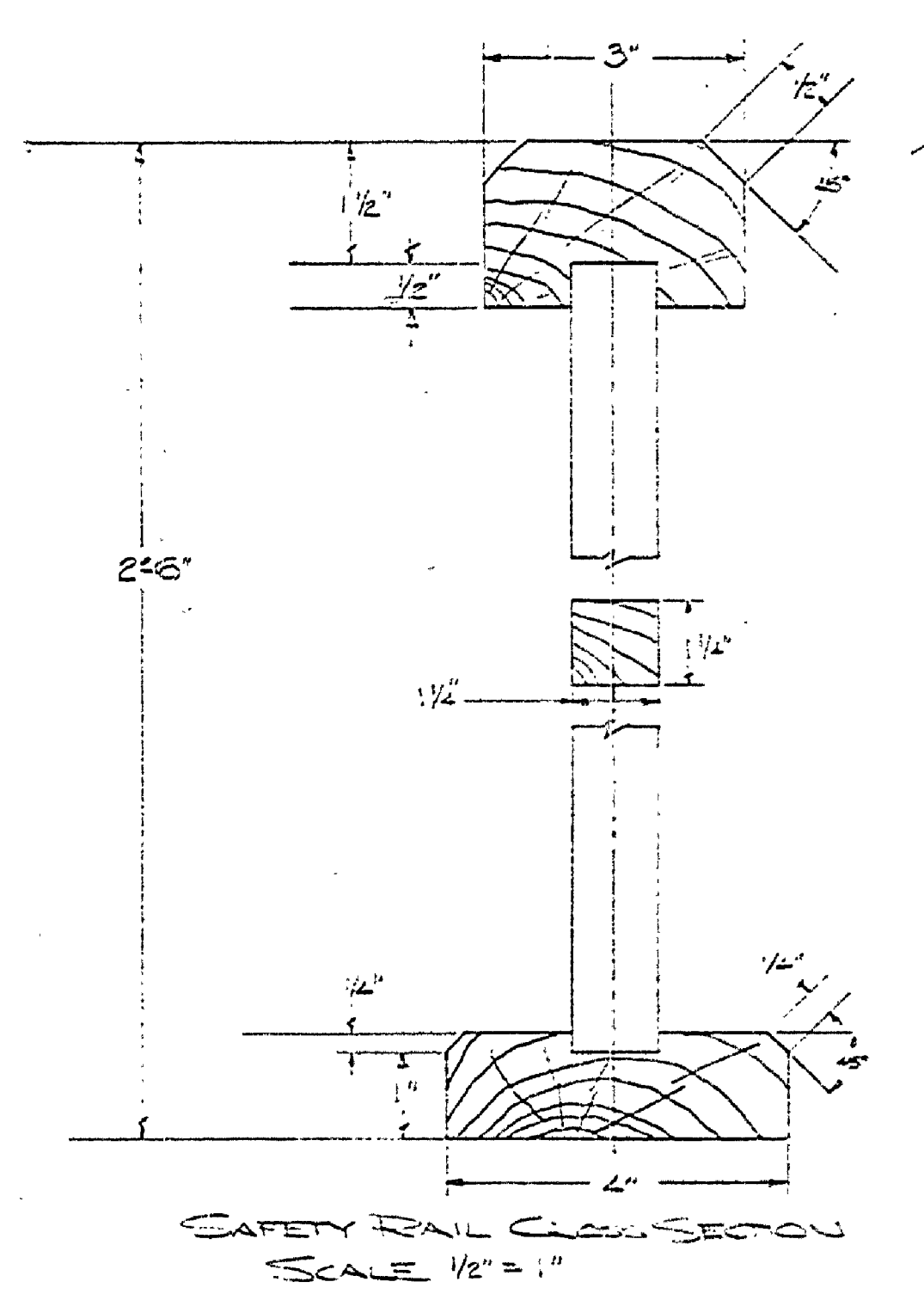


EAST ELEVATION NORTH ELEVATION

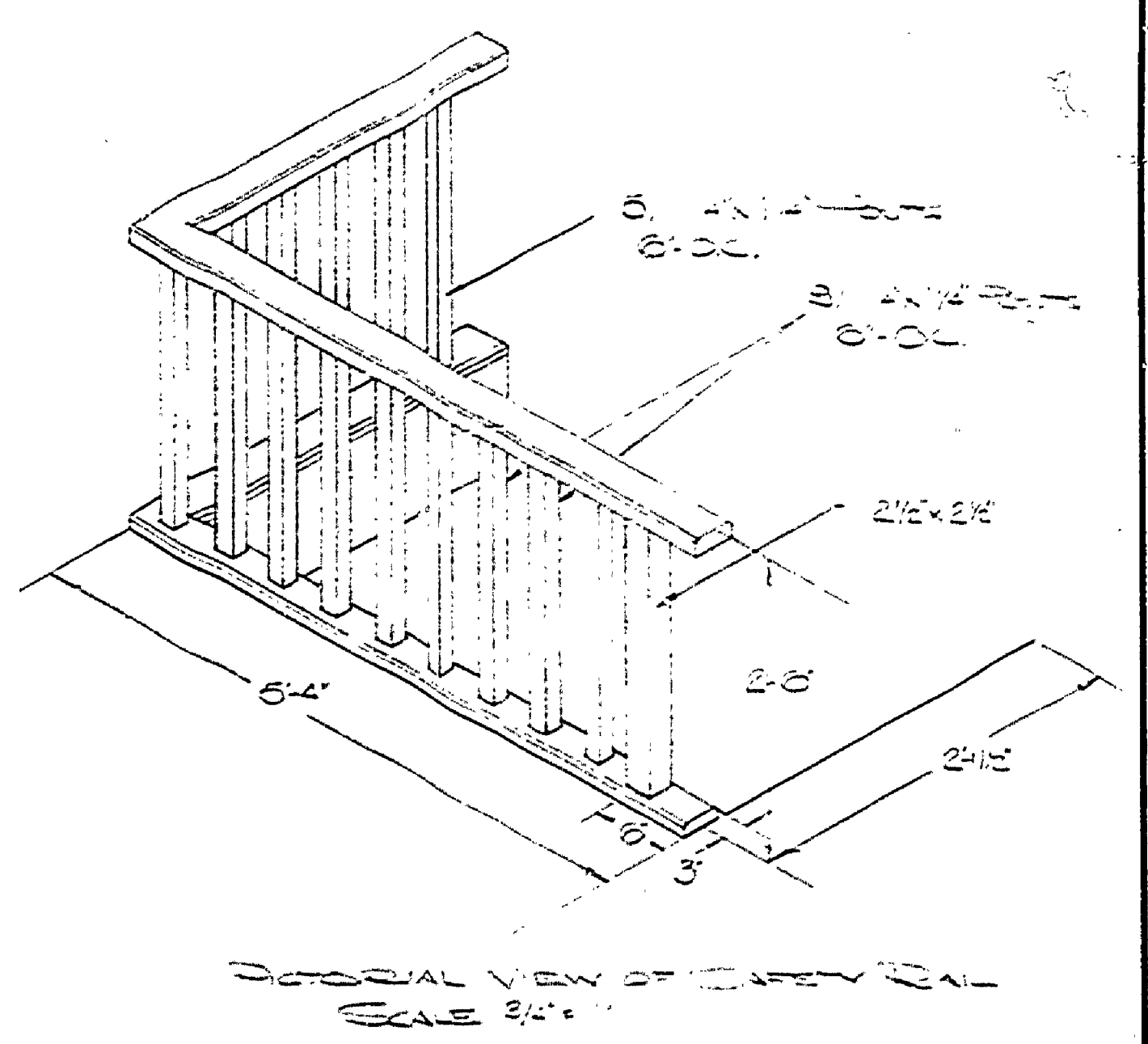
SCALE 1/4" = 1'



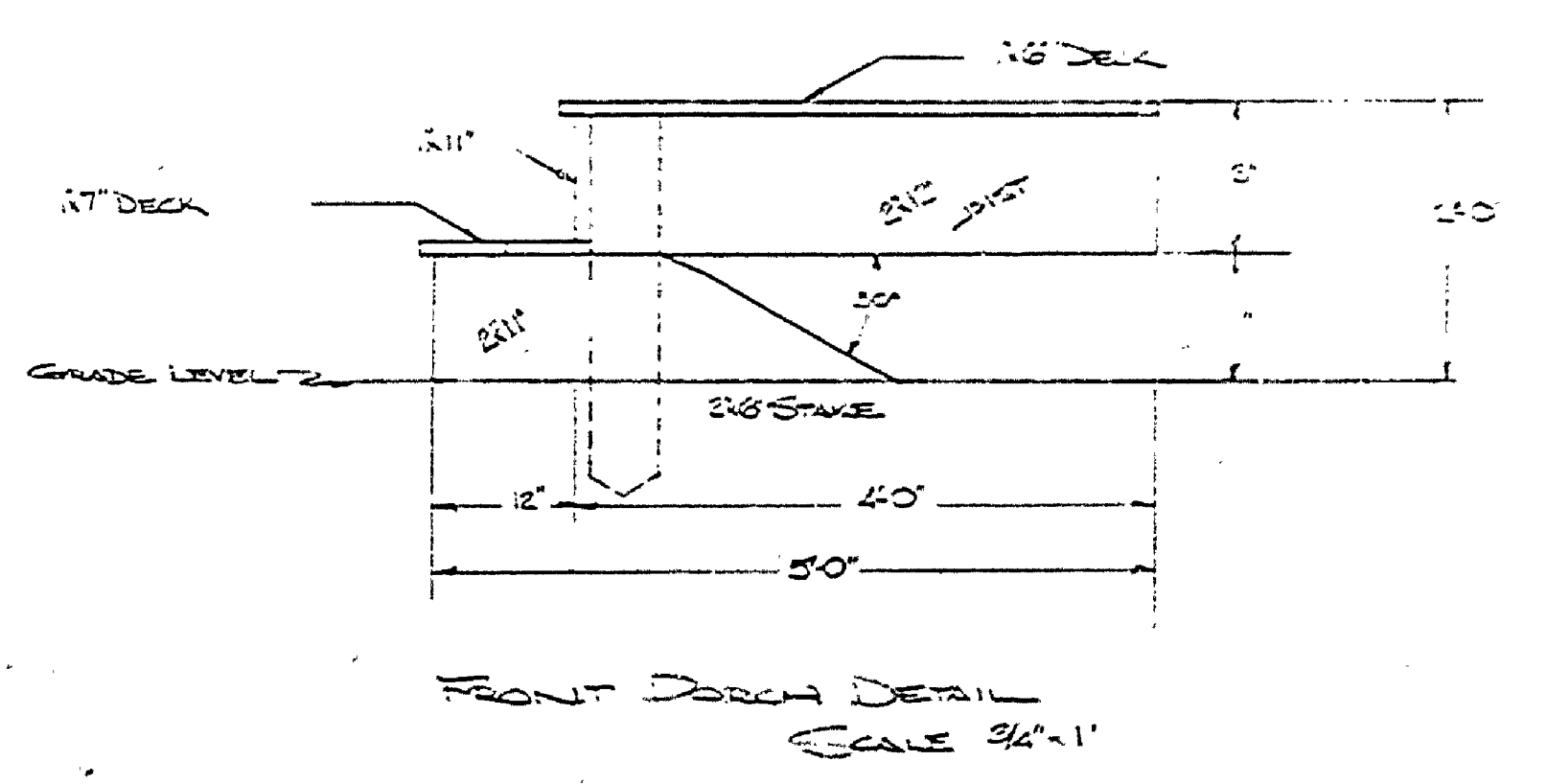
WEST ELEVATION SOUTH ELEVATION



SAFETY RAIL CROSS SECTION SCALE 1/2" = 1'



ISOMETRIC VIEW OF SAFETY RAIL SCALE 3/4" = 1'



FRONT PORCH DETAIL SCALE 3/4" = 1'

BUILDING NO. 7

MICHIGAN DEPARTMENT OF CONSERVATION PARKS AND RECREATION DIVISION

RESTORATION DRAWING FAYETTE HISTORICAL TOWNSITE FAYETTE STATE PARK

SHEET NO. 2 OF 2

PLAN NO. A-72