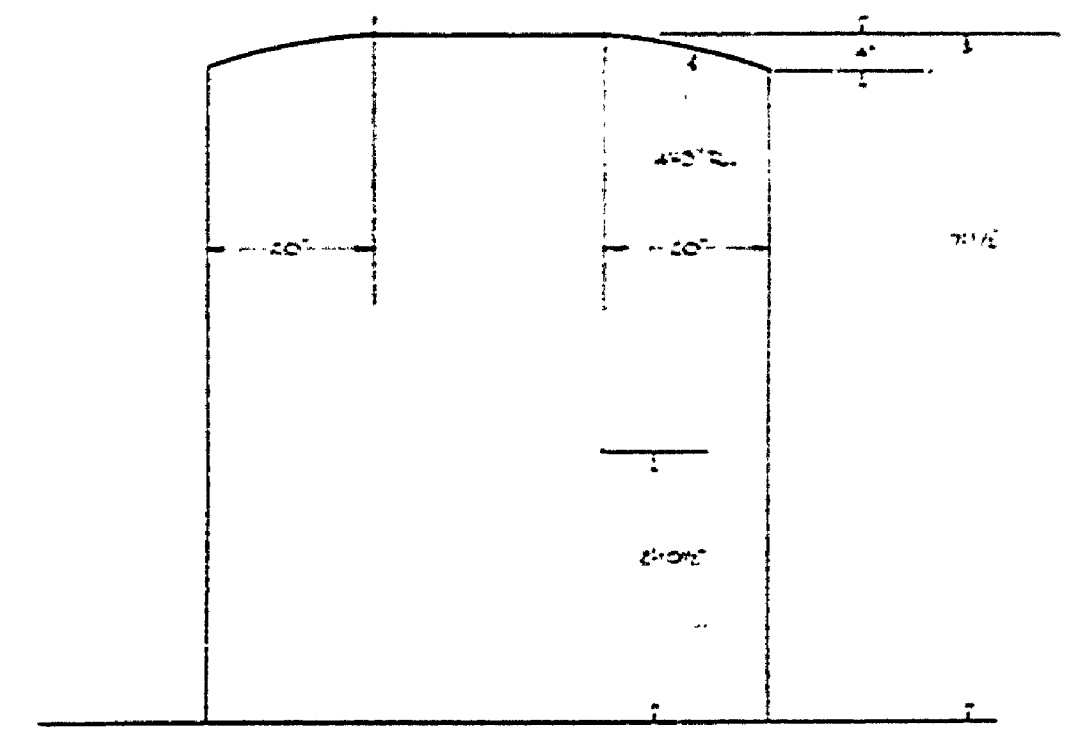
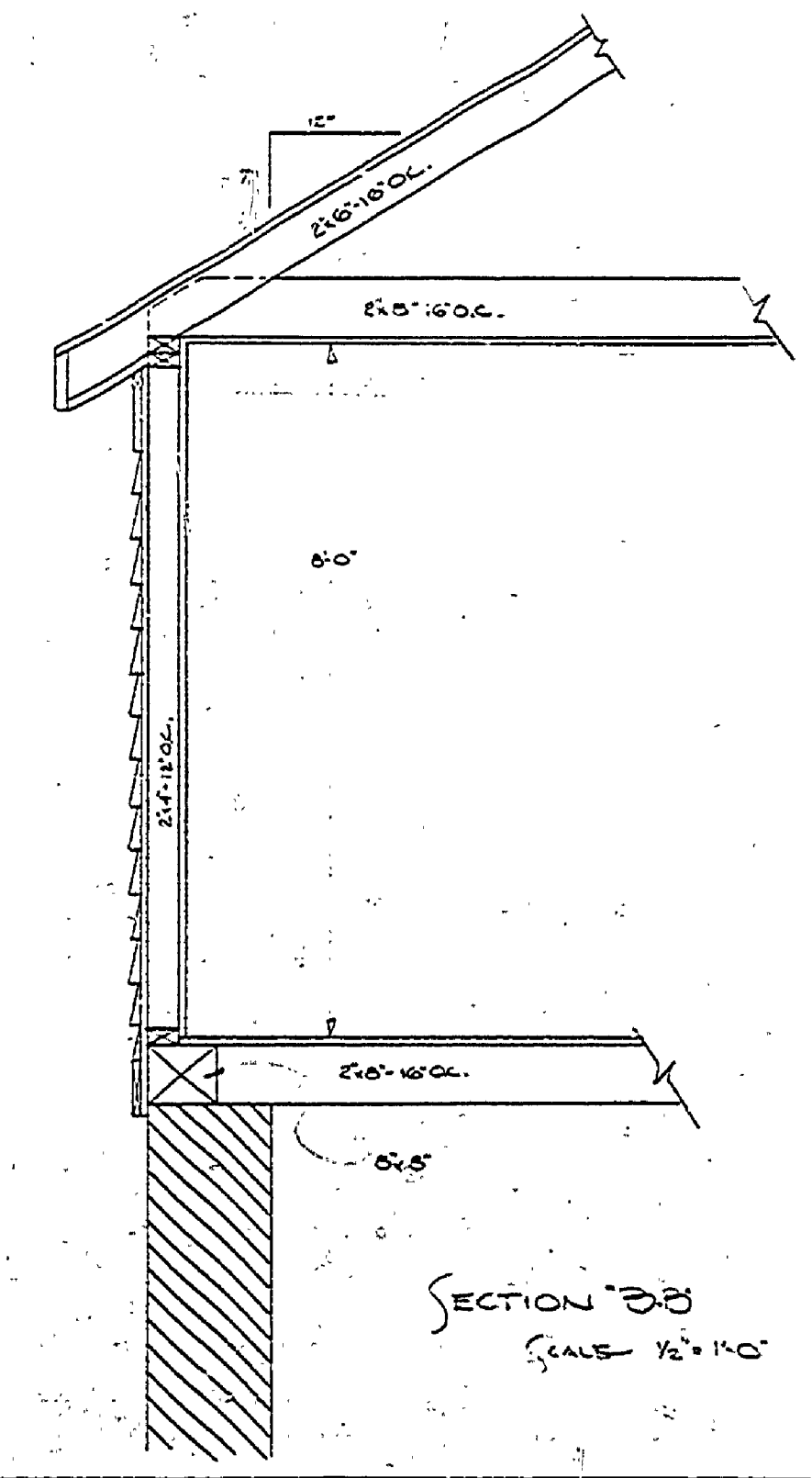
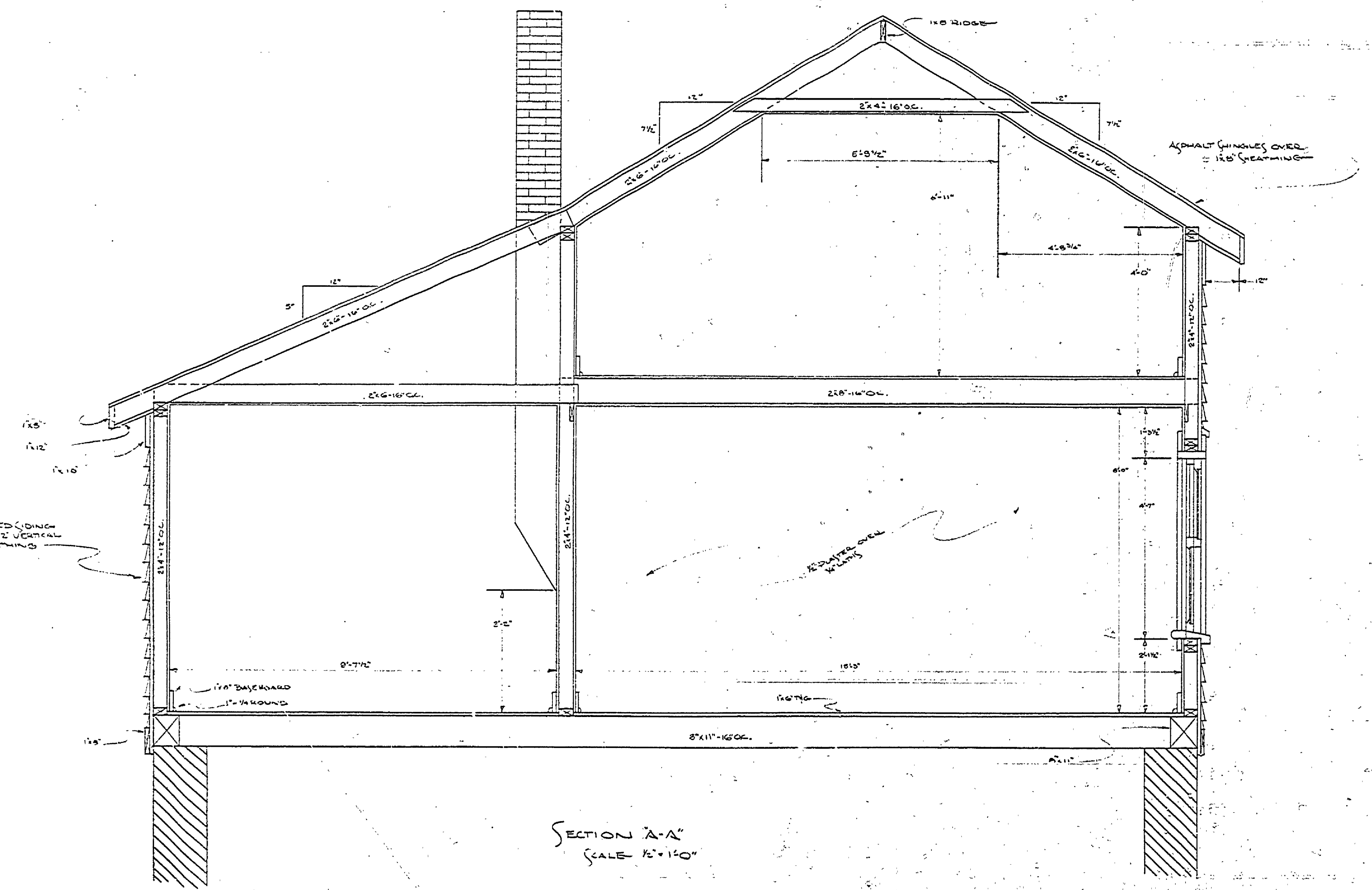
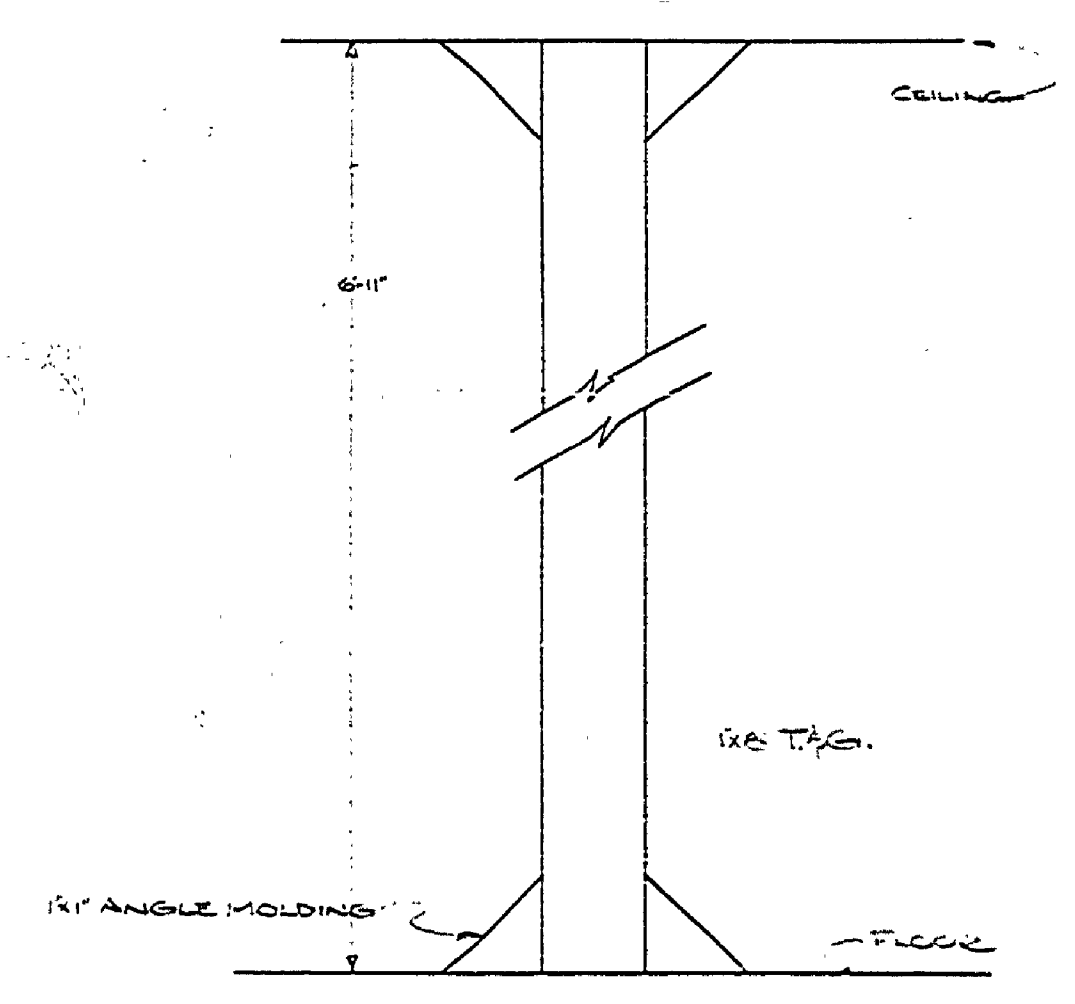
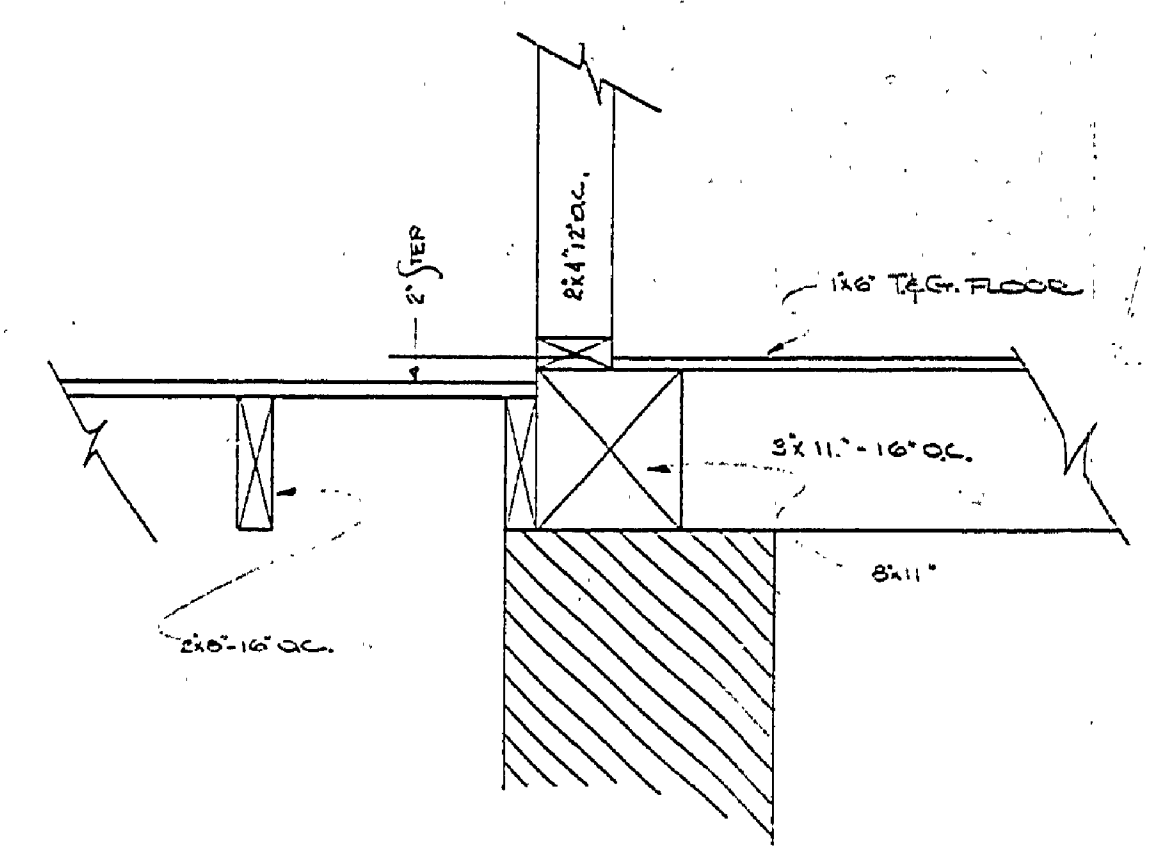
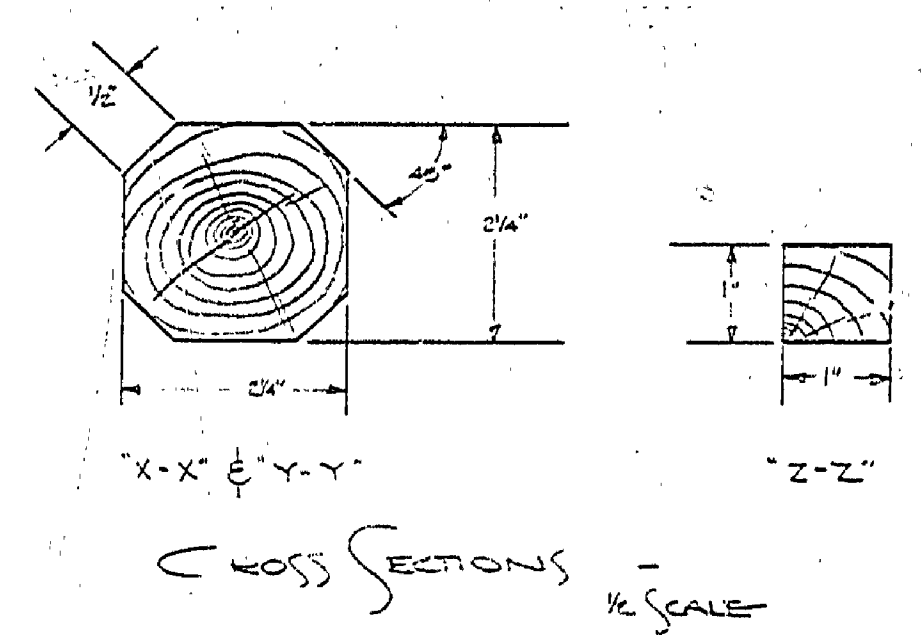
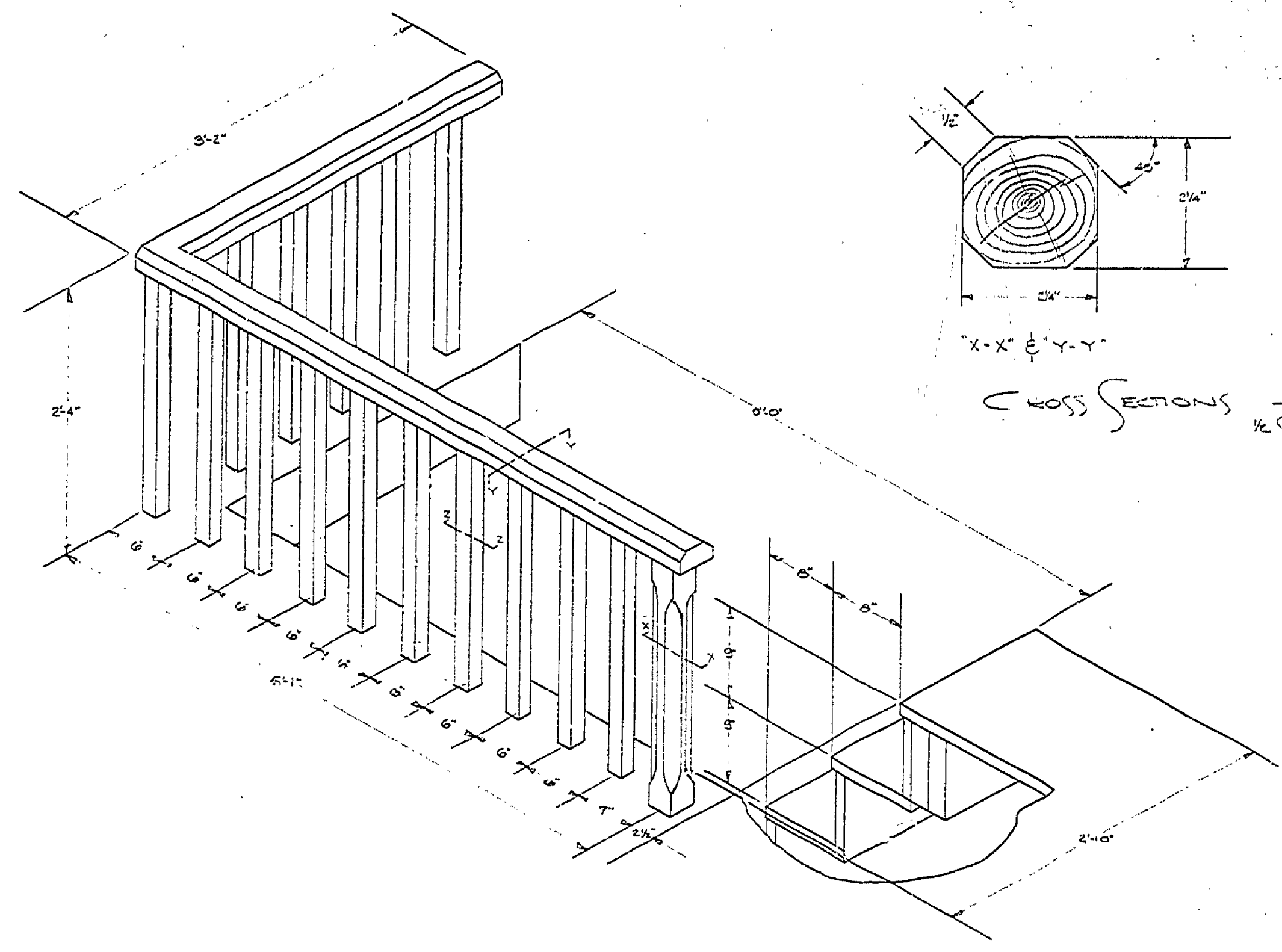


DESIGNED BY	DATE	REVIEWED	DATE	APPROVED	DATE	NO.	DATE	BY
BY [Signature]	6/21/62	ARCHITECTURAL				1		
DRAWN BY [Signature]	6/21/62	ENGINEERING				2		
CHECKED BY [Signature]		LANDSCAPE				3		
						4		
						5		
						6		



NOTE:
DETAILS (LONG WAY) NEARLY SQUARE & BUILT

BUILDING #9

MICHIGAN
DEPARTMENT OF CONSERVATION
PARKS AND RECREATION DIVISION

MEASURED DRAWING
FAYETTE HISTORICAL TOWNSITE
FAYETTE (STATE) PARK

SHEET
NO. 5
OF 5

PLAN NO.
A-9