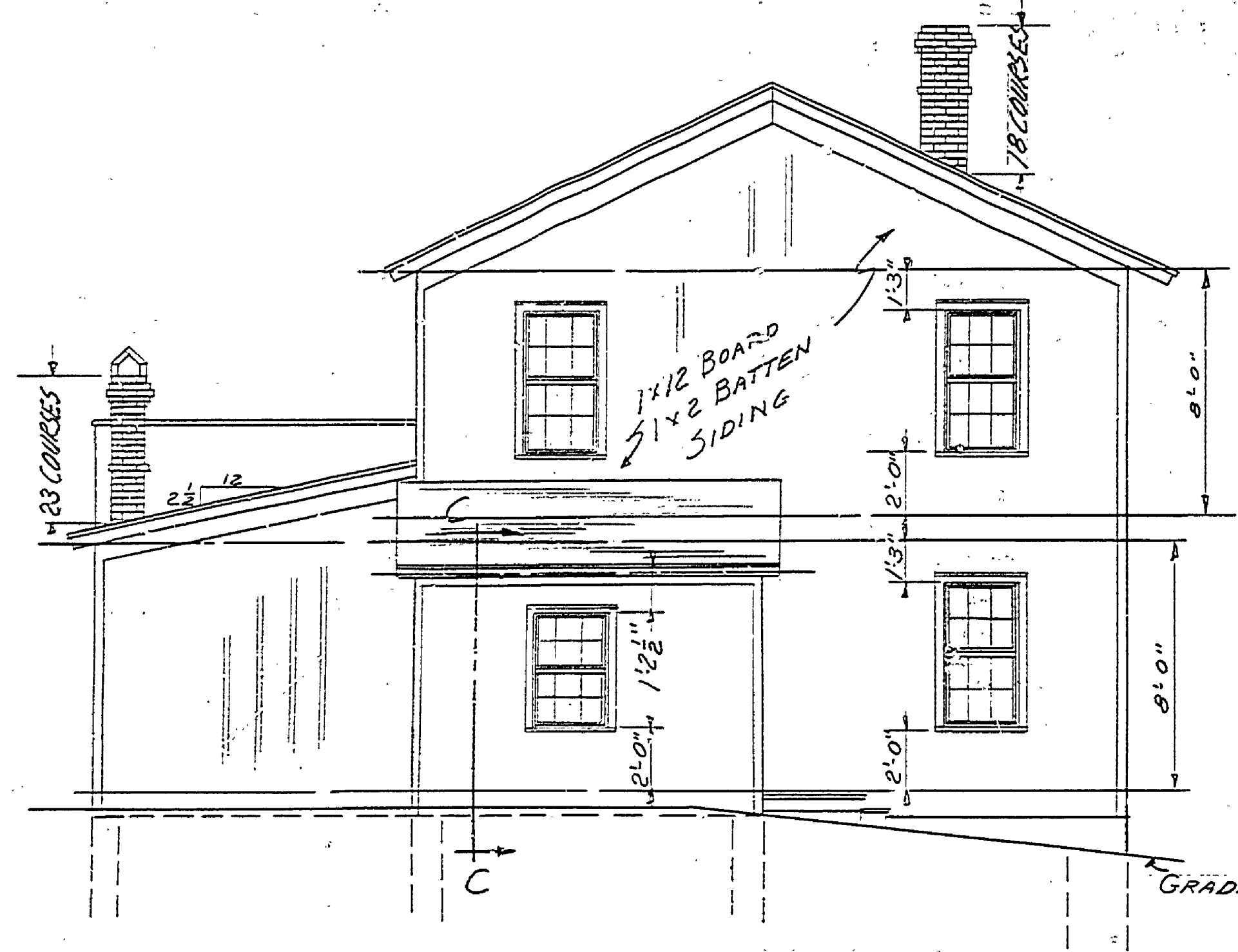


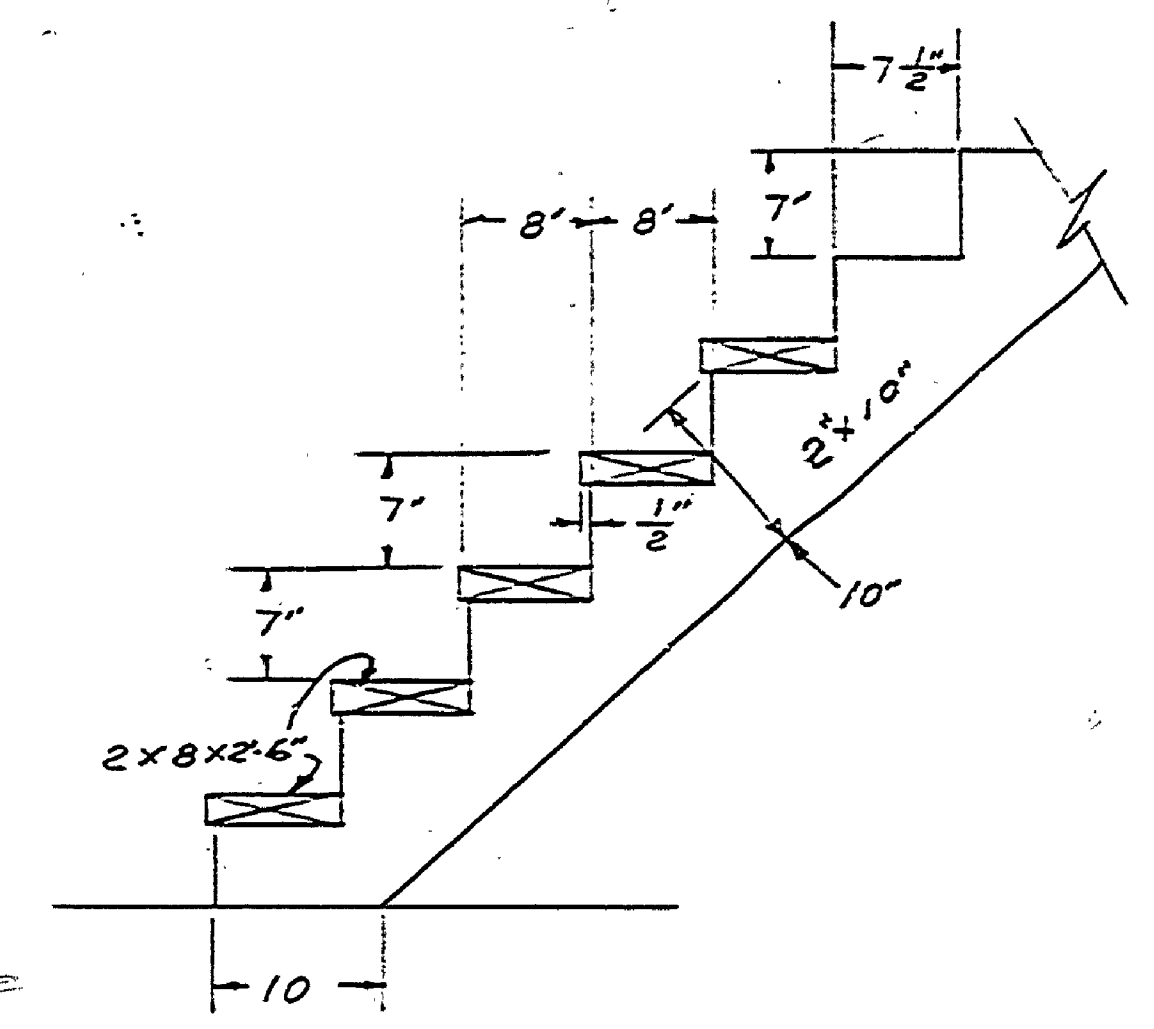
DATE	REVIEWED	DATE	APPROVED	DATE	NO.	DATE	BY
3-19-62	ARCHITECTURAL				1		
3-19-62	ENGINEERING				2		
	LANDSCAPE				3		
					4		
					5		
					6		



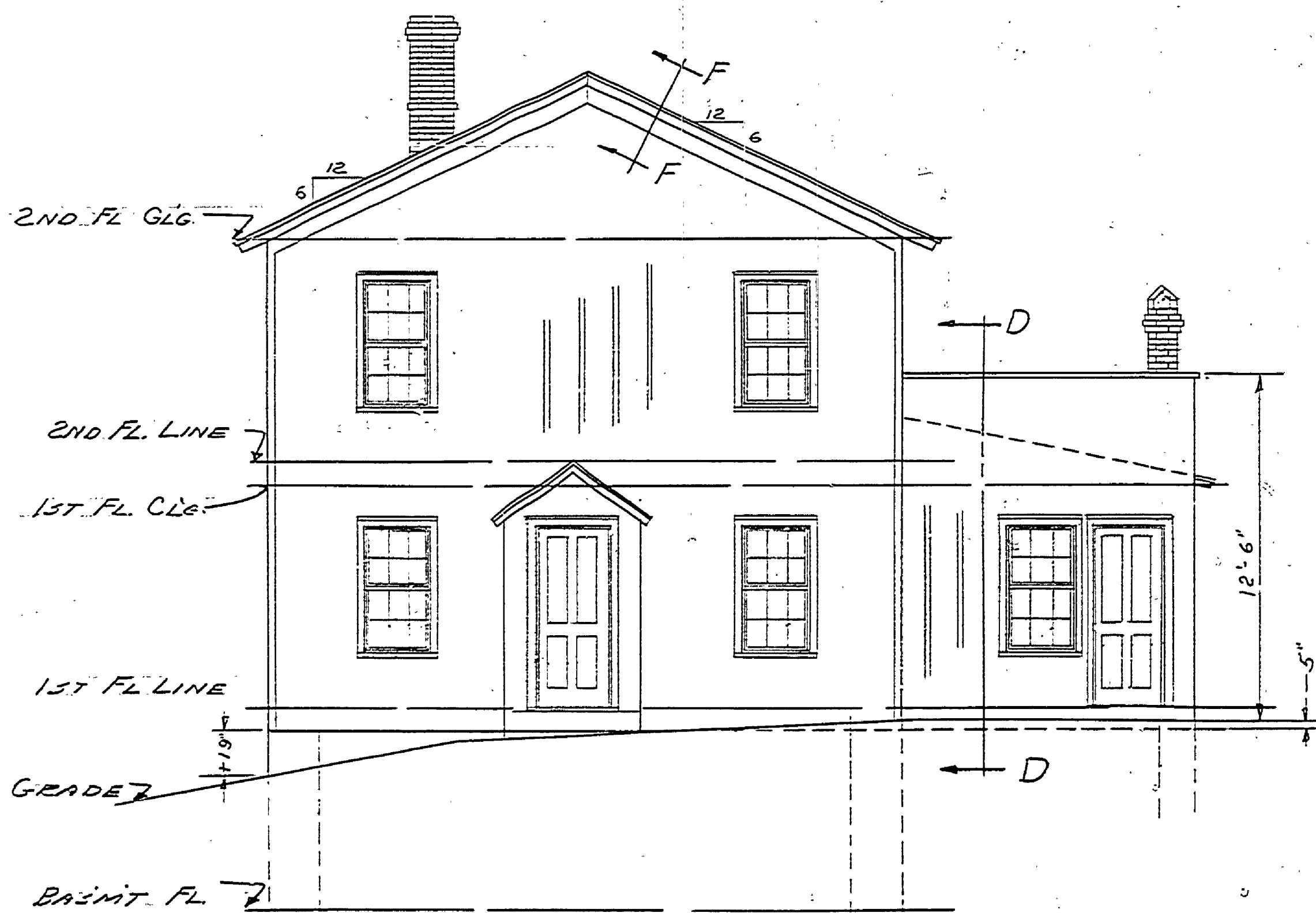
S.W. ELEVATION



S.E. ELEVATION

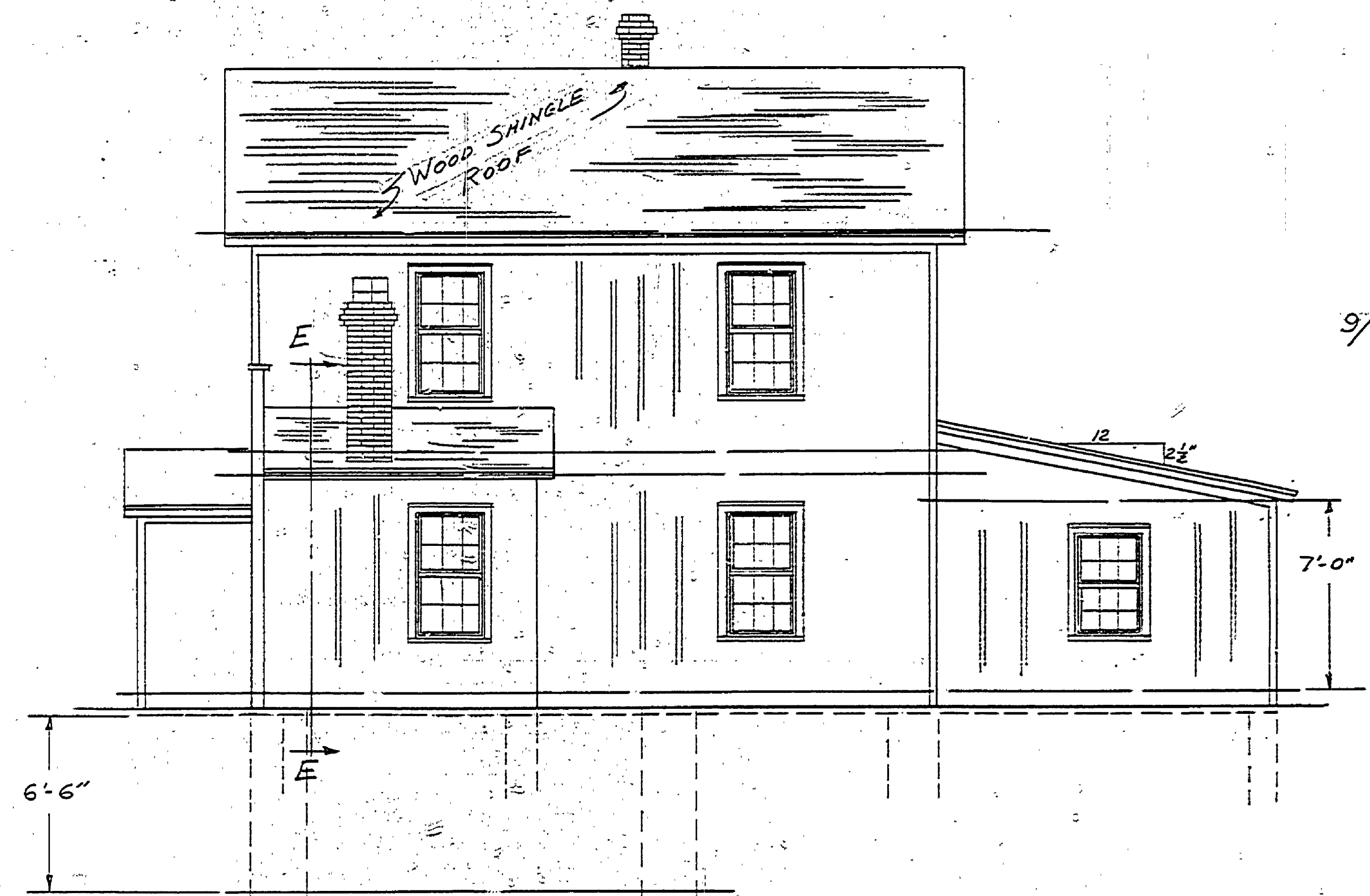


BASEMENT STAIR DETAIL - 1 REQ'D
SCALE 1"=1'-0"

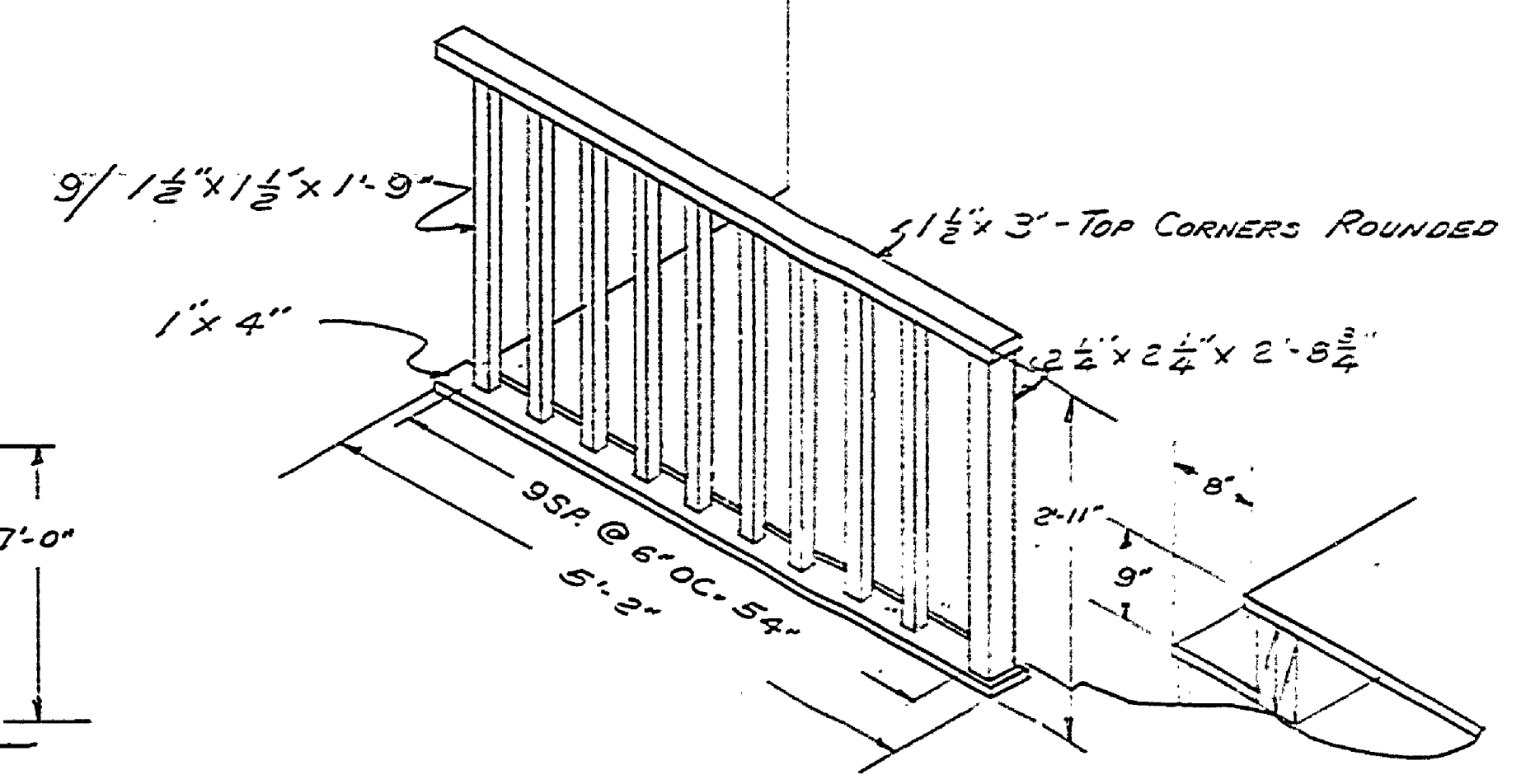


N.E. ELEVATION

SCALE 1/4"=1'-0"



N.W. ELEVATION



PICTORIAL DETAIL OF STAIR
SAFETY RAIL - 1 REQ'D
SCALE 3/4"=1'-0"