

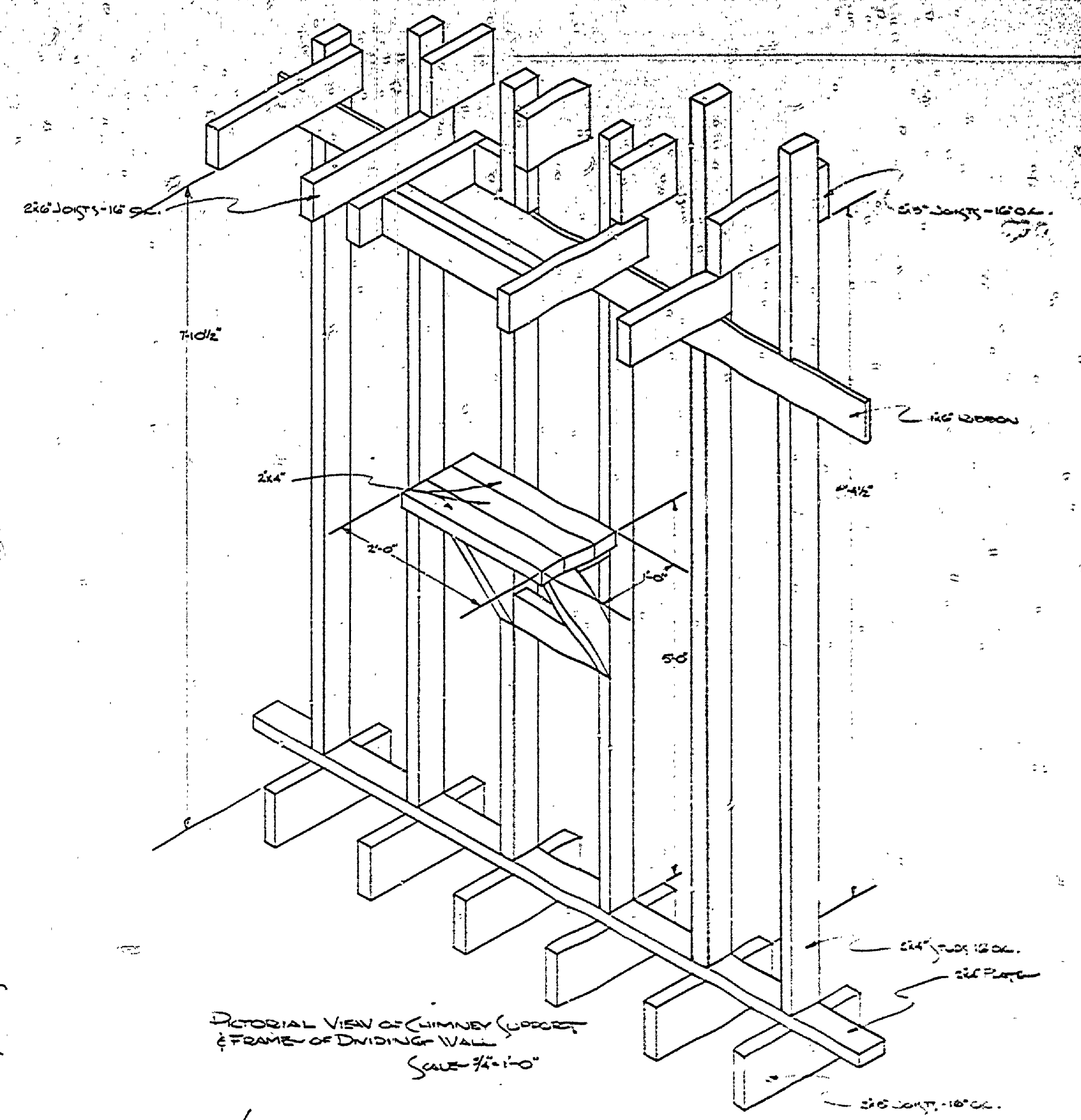
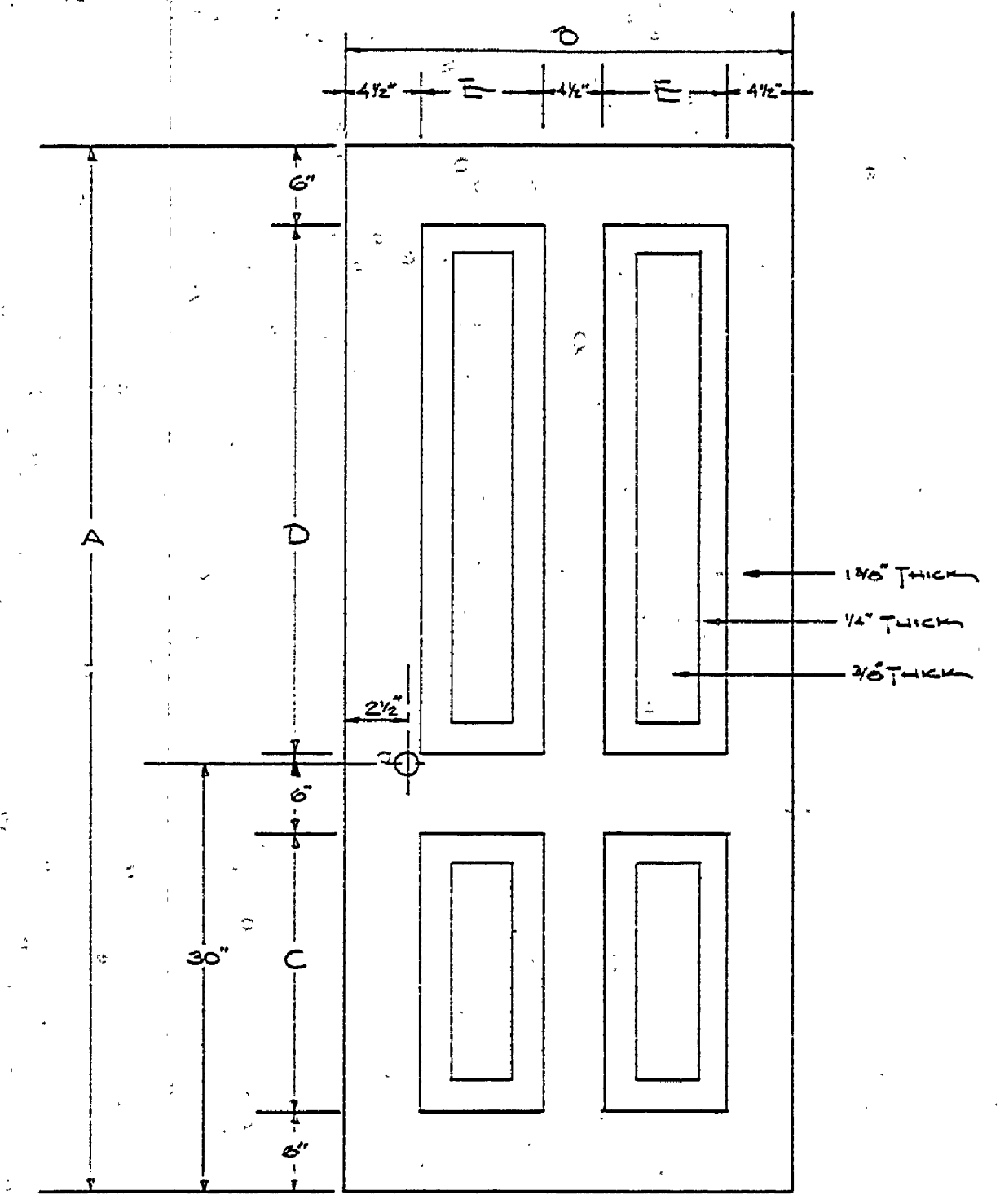
DATE BY	
REVISIONS	
4	
5	
6	
DATE NO. DATE BY	
1	
2	
3	
APPROVED	
DATE	
REVIEWED	
ARCHITECTURAL	
ENGINEERING	
LANDSCAPE	
DATE	
DESIGNED BY	
DRAWN BY	
CHECKED BY	

NO.	REQ'D	SIZE	TYPE	GLASS	TRANS	HARDWARE	REMARKS
1	3	2'-6" x 6'-6"	PANEL	NONE	NONE	STANDARD	EXTERIOR
2	5	2'-6" x 6'-6"	"	"	"	"	INTERIOR
3	1	2'-6" x 6'-6"	"	"	"	"	"
4	1	2'-6" x 6'-6"	"	"	"	"	"
5	1	2'-6" x 6'-6"	"	"	"	"	"
6	1	2'-6" x 4'-0"	FRAME	"	"	"	1 1/2" BOARDS

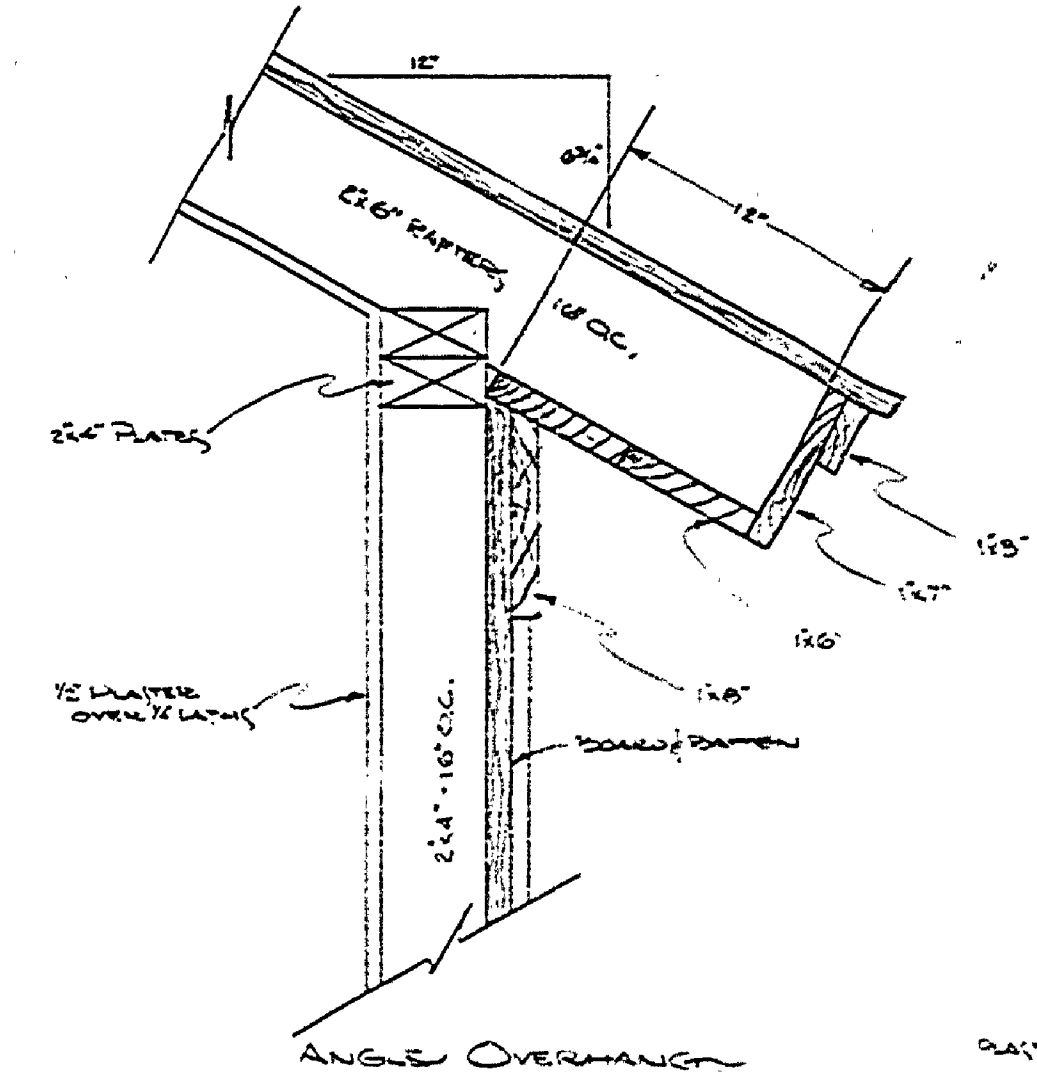
NO.	REQ'D	SIZE	GLASS	TYPE	REMARKS
A	2	2'-6" x 11'-0"	2'-4" x 11'-4"	3/8" GLASS	FIXED
B	3	2'-6" x 4'-0 1/2"	2'-4" x 2'-7"	3/8" GLASS	FIXED

DOOR NO.	REQ'D	A	B	C	D	E
1	3	2'-6"	6'-6"	2'-0"	3'-2"	3 1/4"
2	5	2'-6"	6'-6"	2'-0"	3'-2"	3 1/4"
3	1	2'-6"	6'-6"	1'-11"	3'-1"	3 1/4"
4	1	2'-6"	6'-6"	1'-11"	3'-1"	3 1/4"
5	1	2'-6"	6'-6"	2'-6"	3'-0"	3 1/4"

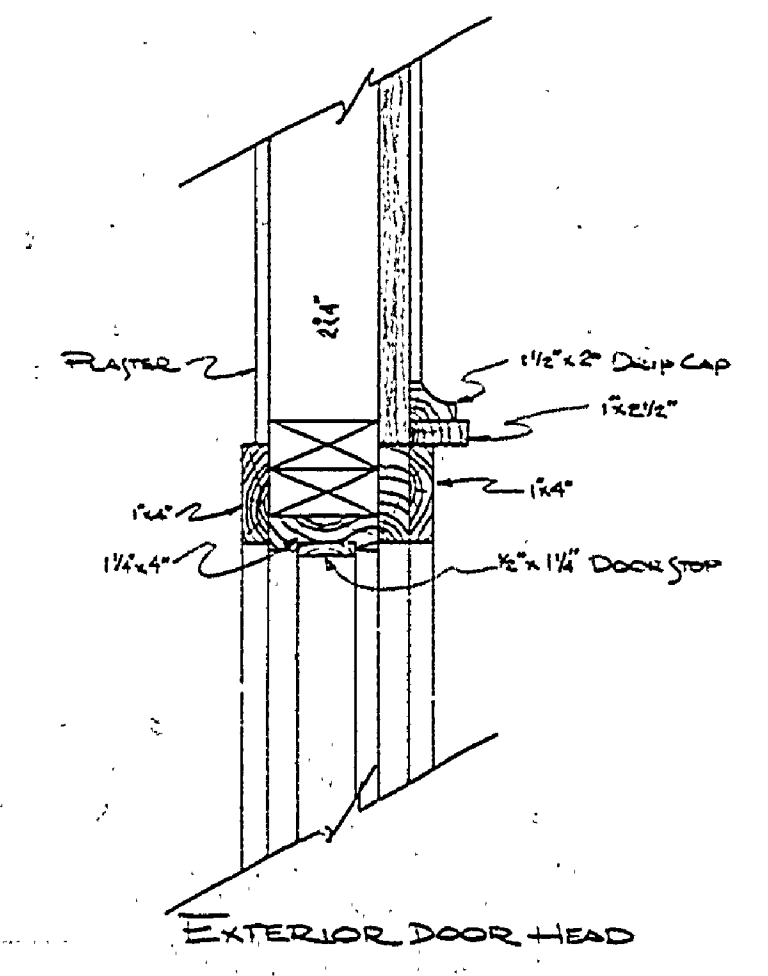
STANDARD PANEL DOOR  
DETAIL & SIZE CHART  
NO SCALE



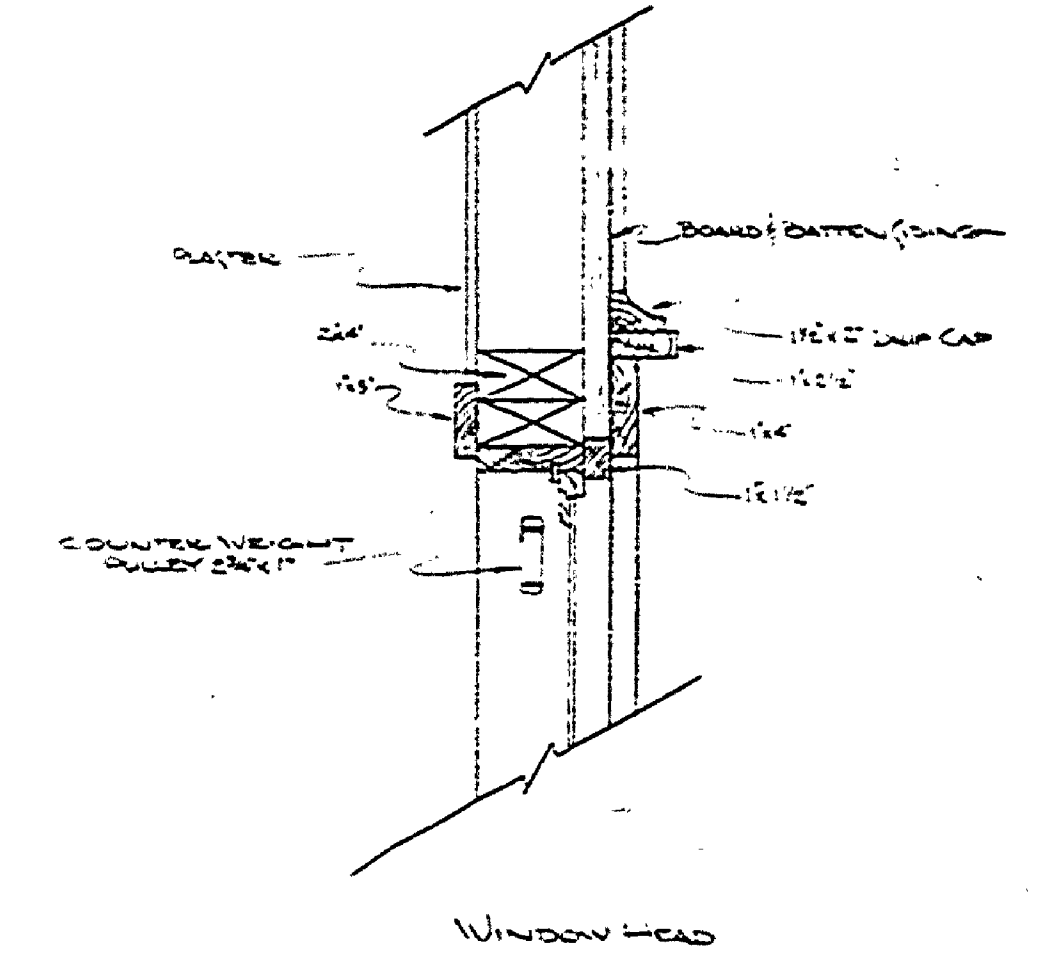
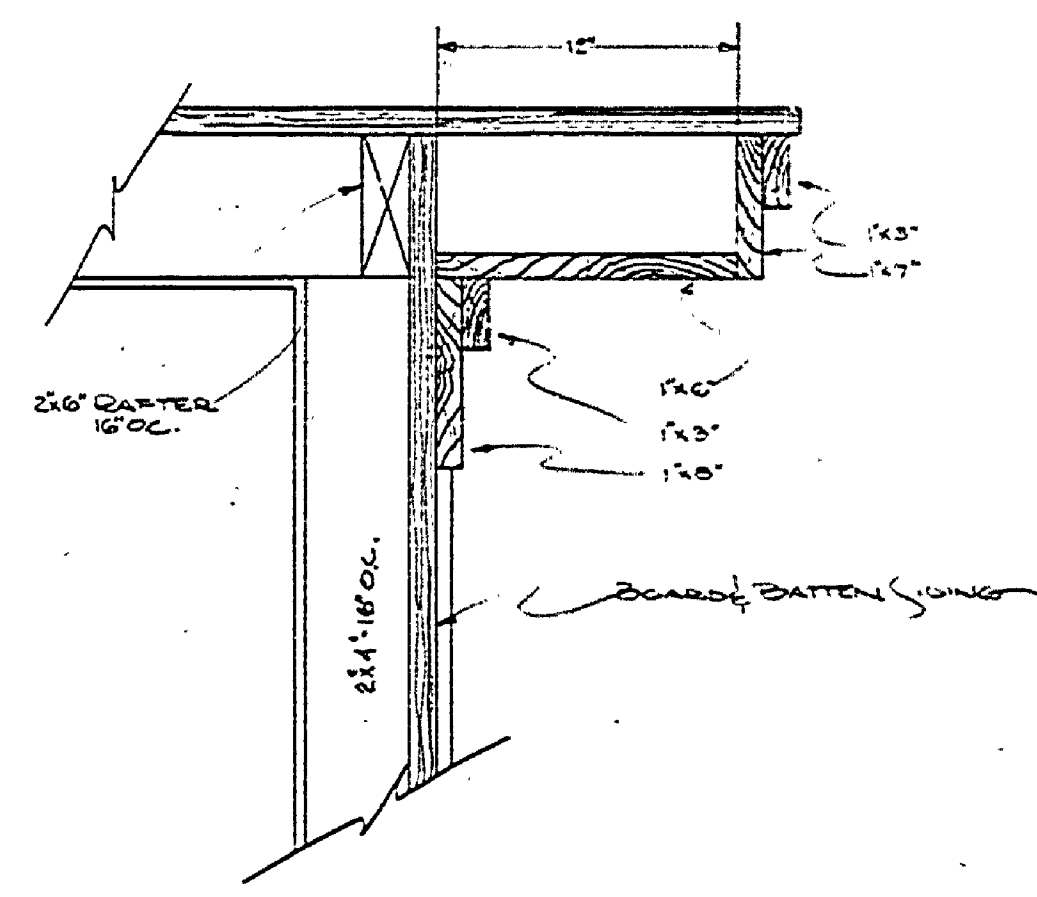
DETAIL VIEW OF WINDOW SASH & FRAME OF DIVISION WALL  
SCALE 3/4" = 1'-0"



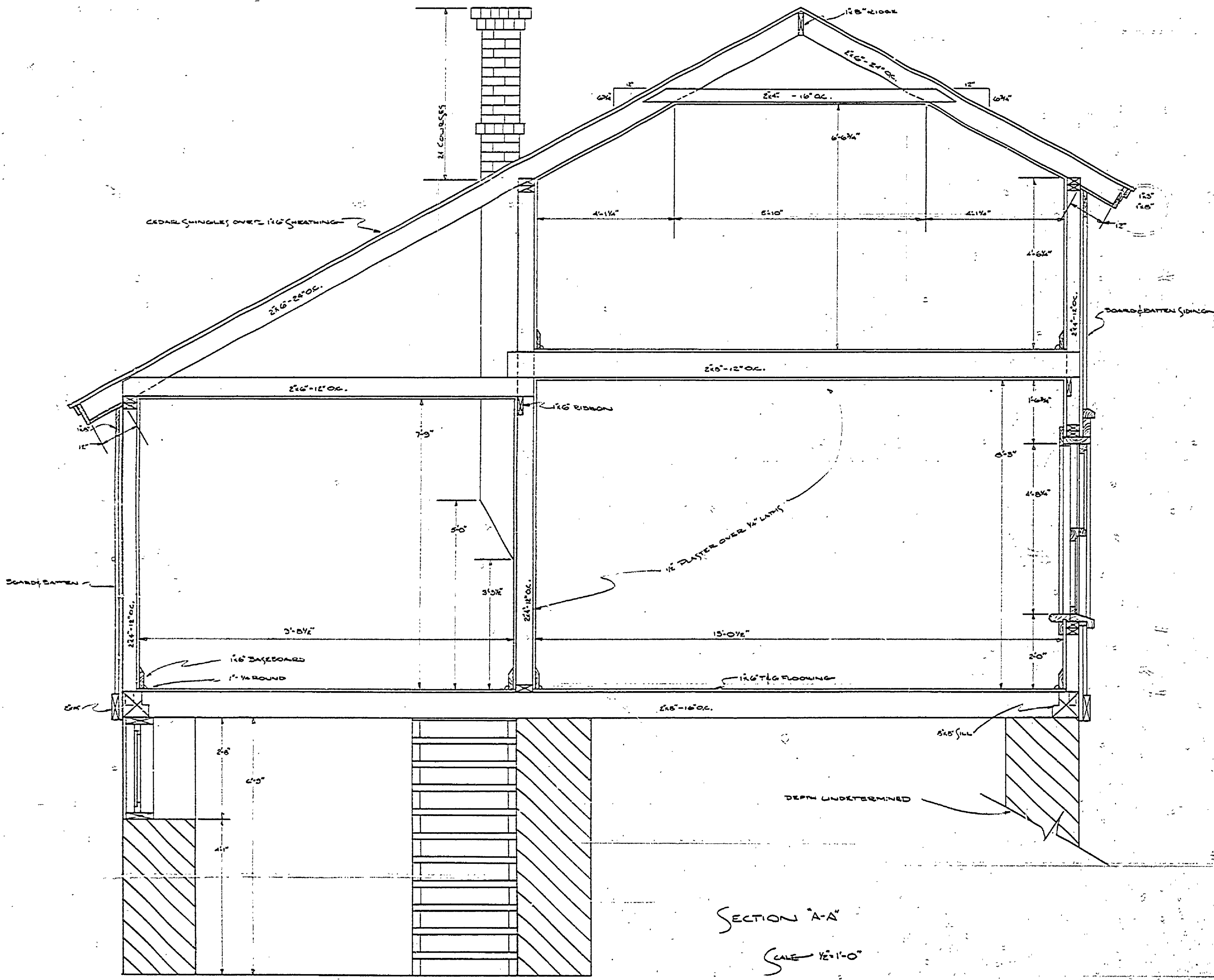
ANGLE OVERHANG  
DETAIL SCALE 1/2" = 1'-0"



EXTERIOR DOOR HEAD



WINDOW HEAD



SECTION 'A-A'  
SCALE 1/2" = 1'-0"