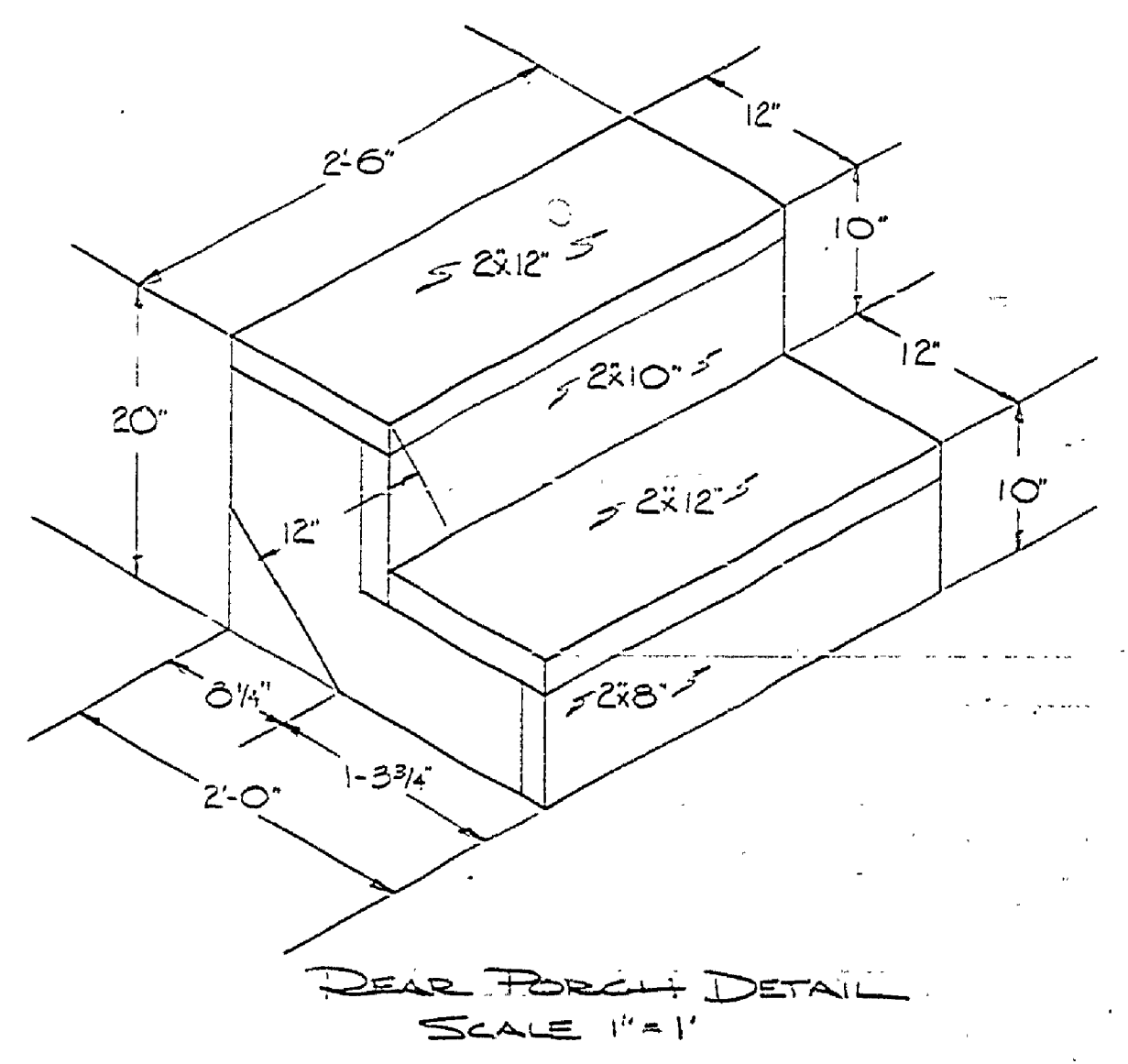
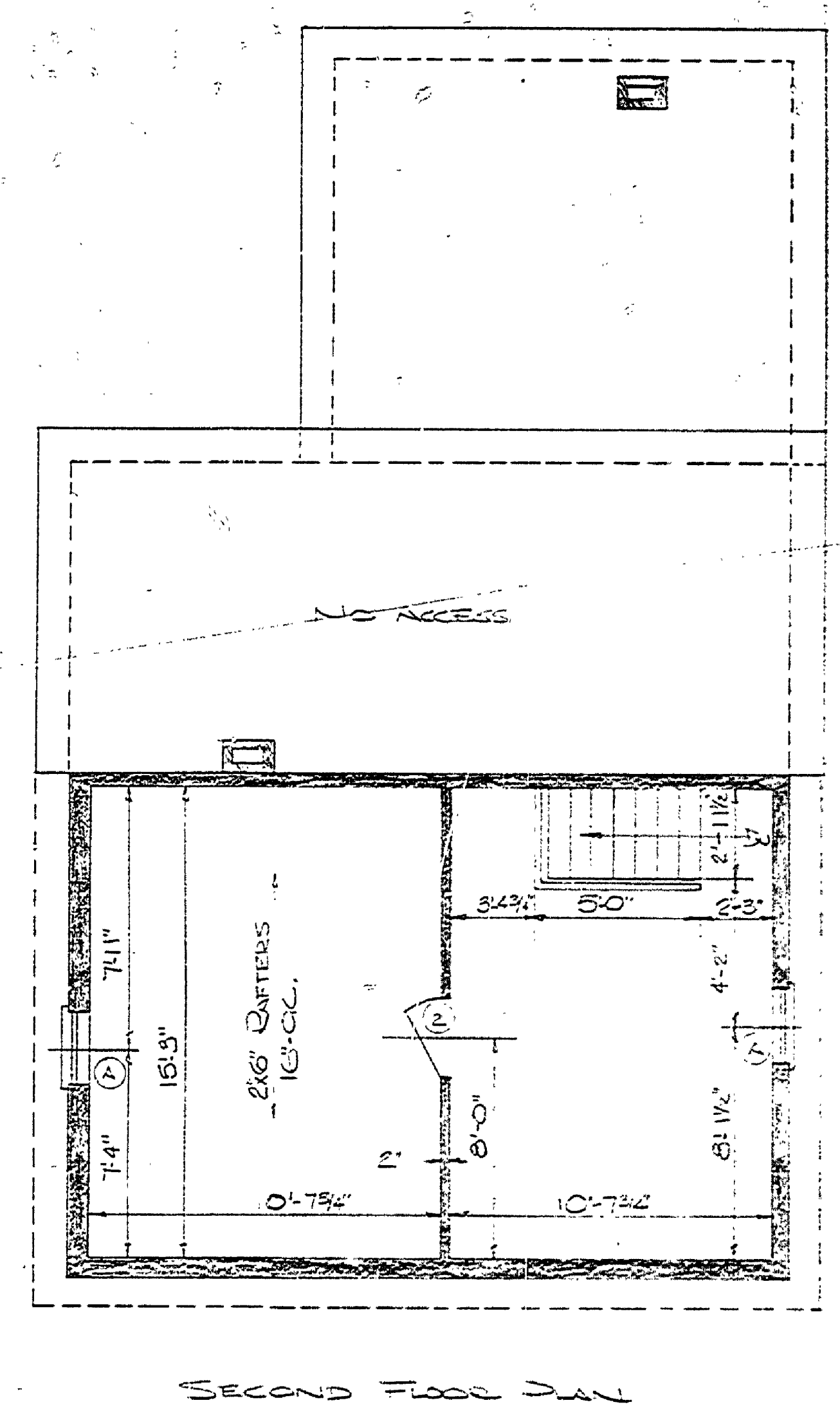
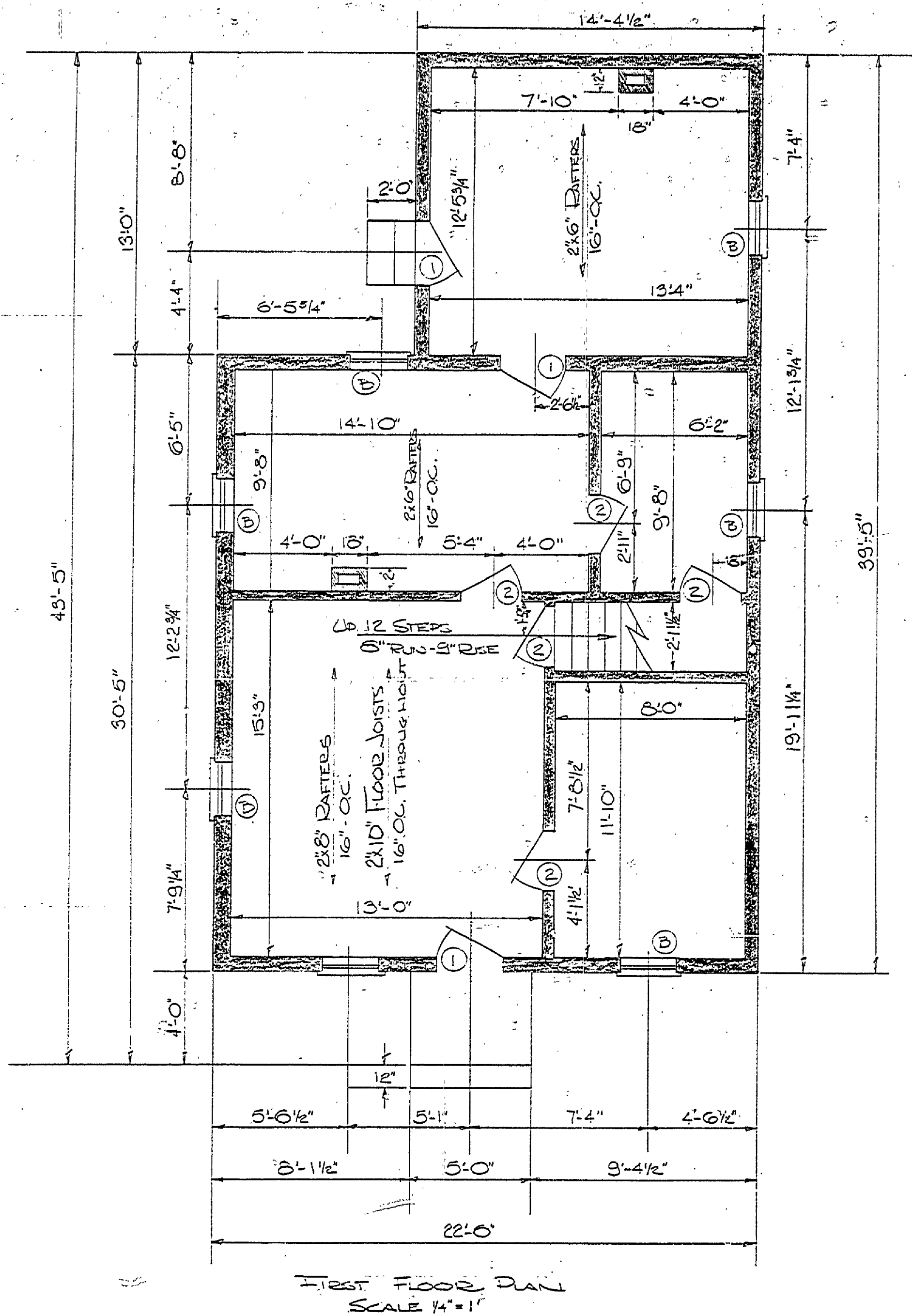
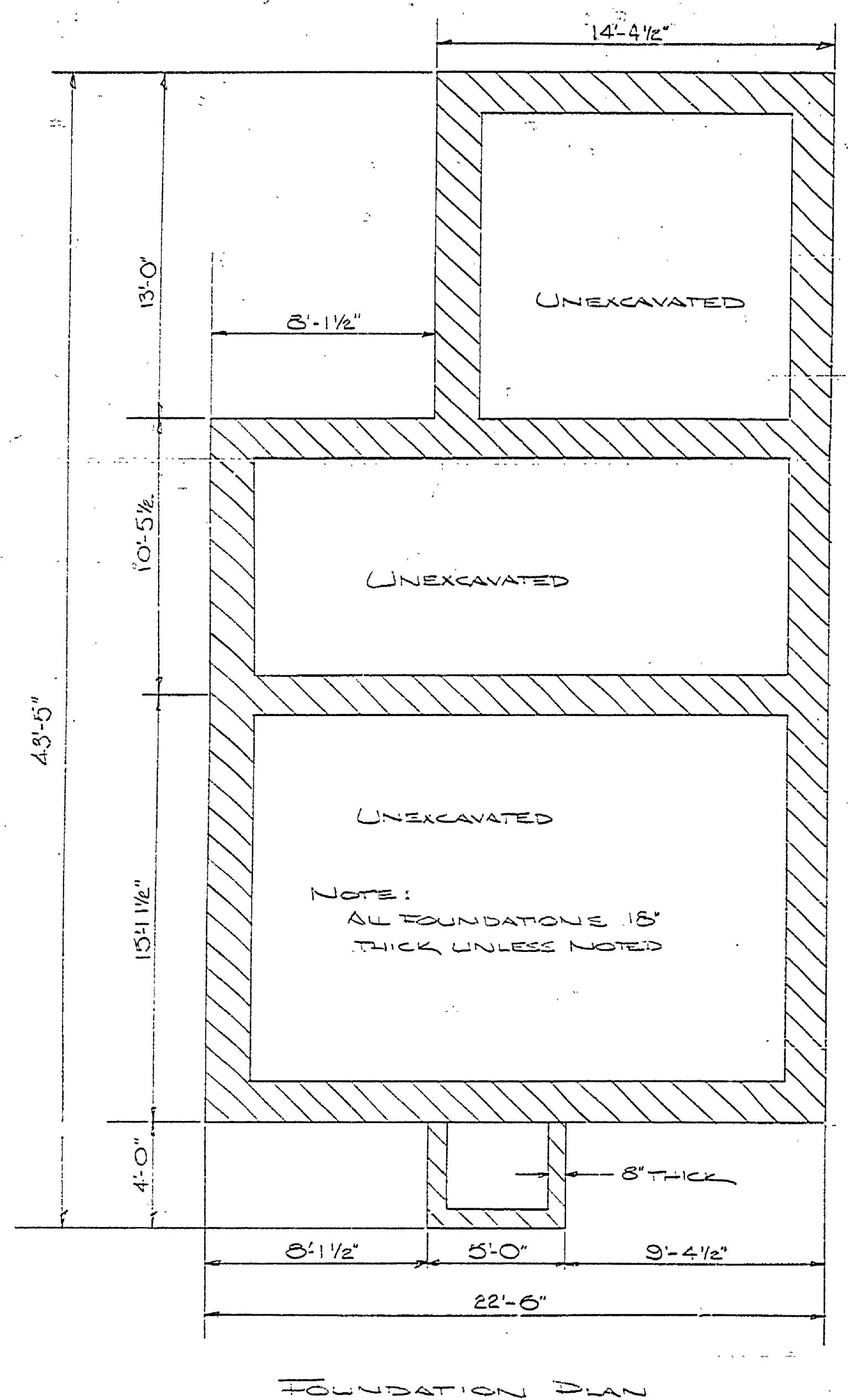


DESIGNED BY RICK	DATE 4/6/62	REVIEWED ARCHITECTURAL	DATE	APPROVED	NO.	DATE	BY
DRAWN BY RICK	1/6/62	ENGINEERING			1		
CHECKED BY		LANDSCAPE			2		
					3		
					4		
					5		
					6		



WINDOW SCHEDULE						
M/N	NO.	TYPE	SIZE	SASH	GLASS	REMARKS
A	2	D.H.	2'4" x 3'-9"	2'4" x 1'-10 1/2"	6" x 10"	COUNTER BAL.
B	7	"	2'-4" x 4'-8"	2'4" x 2'-4"	6" x 12"	"

DOOR SCHEDULE						
M/N	NO.	TRANS.	SIZE	GLASS	HARDWARE	REMARKS
1	3	NONE	2'-8" x 6'-8"	NONE	STANDARD	PANEL
2	0	"	2'-6" x 6'-8"	NONE	STANDARD	PANEL

