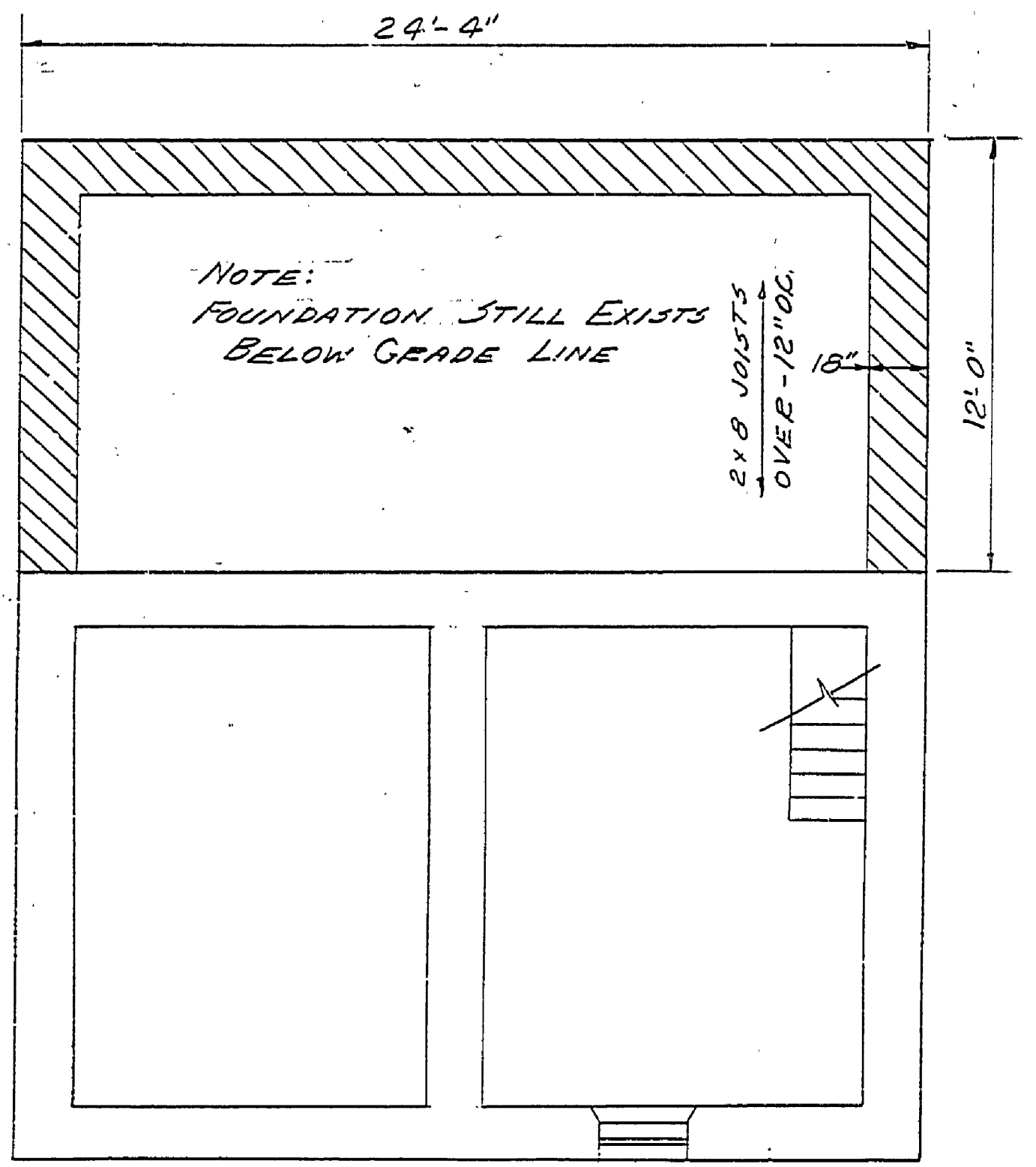
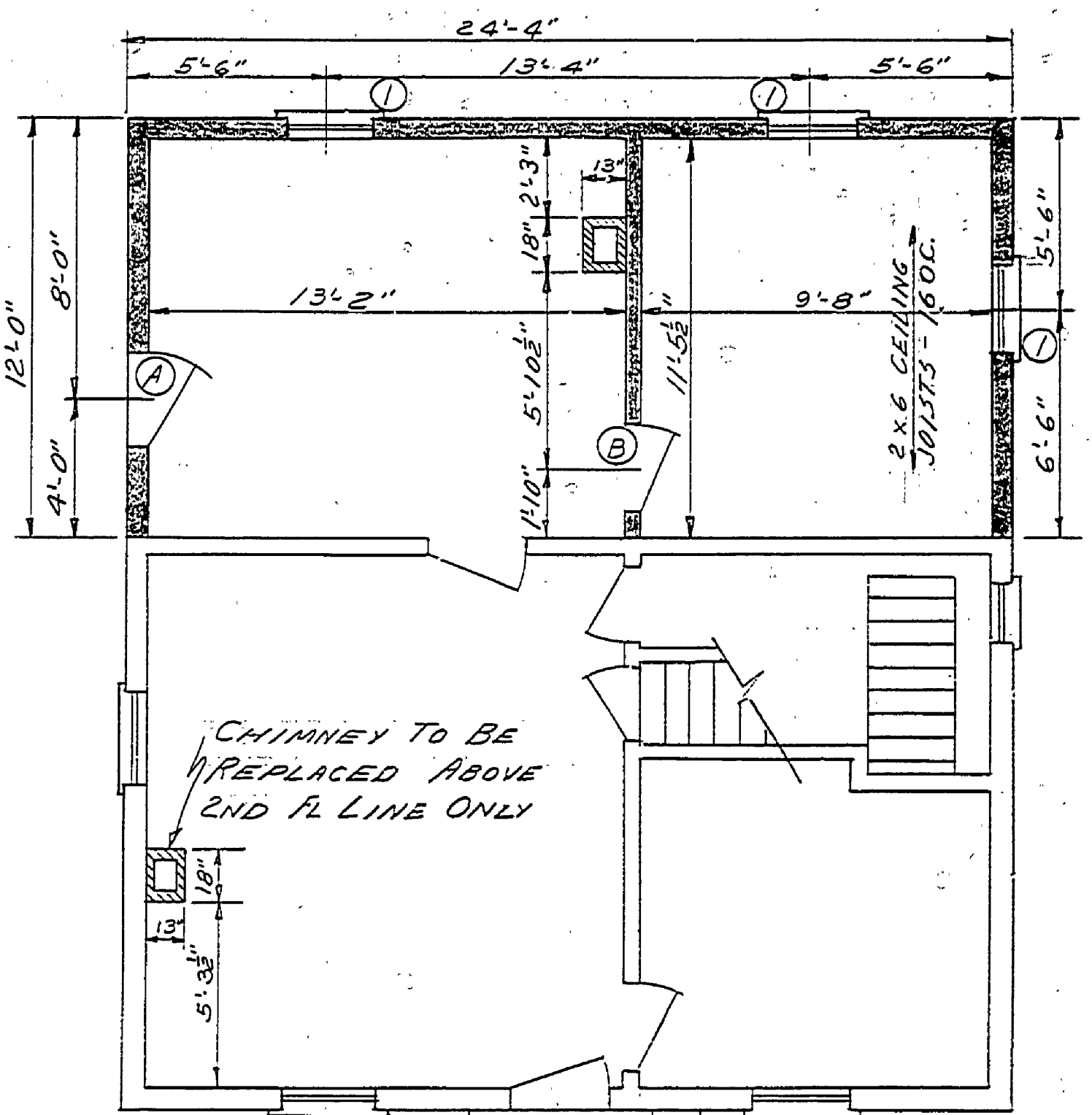


DESIGNED BY	DRAWN BY	CHECKED BY	DATE	REVIEWED	DATE	APPROVED	DATE	NO.	DATE	BY	REVISIONS
ARCHITECTURAL <td>ENGINEERING <td>LANDSCAPE <td>9-7-62 <td></td> <td></td> <td></td> <td></td> <td>1</td> <td></td> <td></td> <td>4</td> </td></td></td>	ENGINEERING <td>LANDSCAPE <td>9-7-62 <td></td> <td></td> <td></td> <td></td> <td>1</td> <td></td> <td></td> <td>4</td> </td></td>	LANDSCAPE <td>9-7-62 <td></td> <td></td> <td></td> <td></td> <td>1</td> <td></td> <td></td> <td>4</td> </td>	9-7-62 <td></td> <td></td> <td></td> <td></td> <td>1</td> <td></td> <td></td> <td>4</td>					1			4
			9-7-62					2			5
								3			6

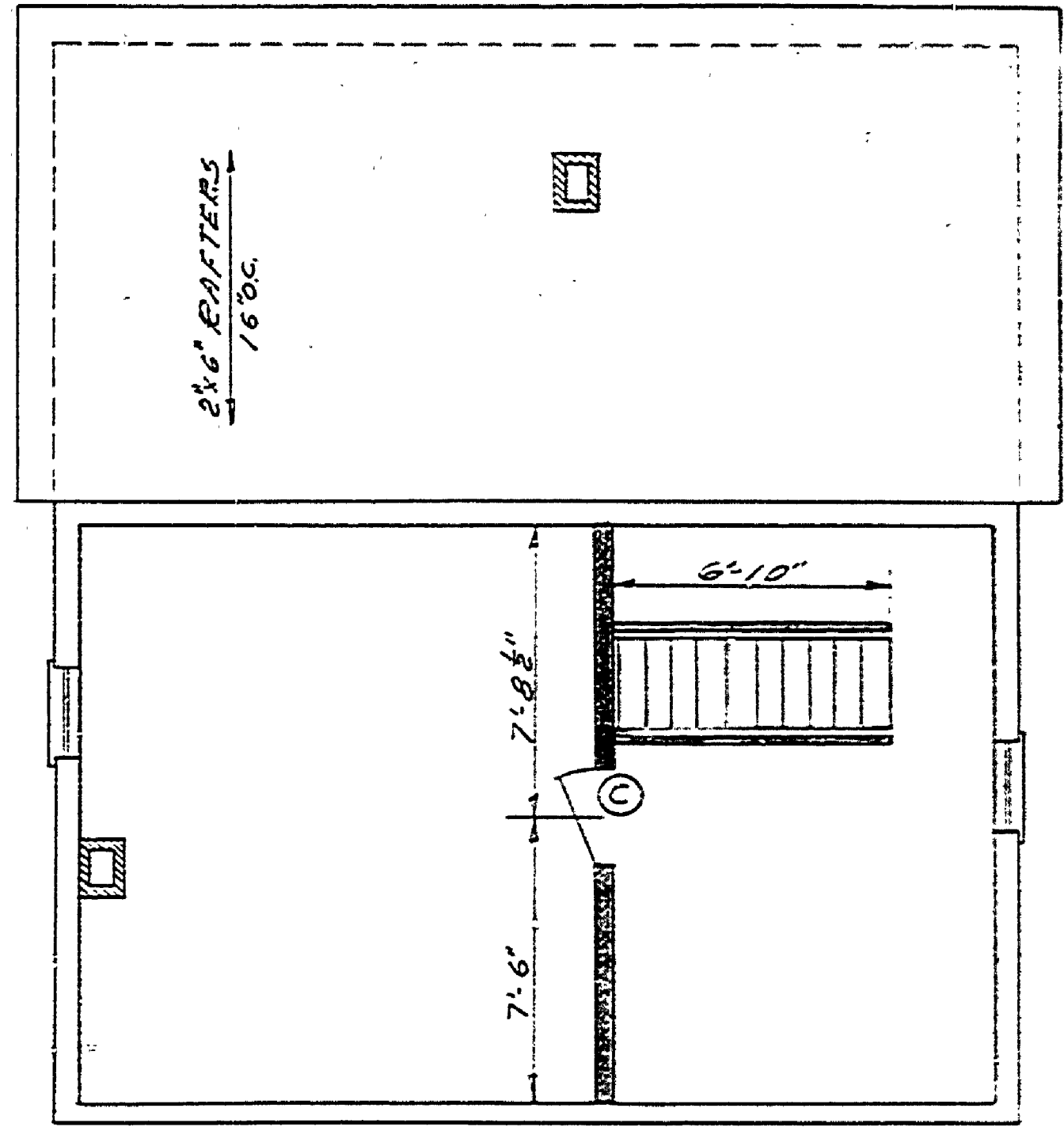
NEW DOORS				NEW WINDOWS									
MK	N°	RECD	TYPE	SIZE	REMARKS	MK	N°	RECD	TYPE	SIZE	SASH	GLASS	REMARKS
A	1		PANEL	2'-8" X 6'-8"		1	3		FIXED	2'-4" X 2'-4"		6/8" X 8"	
B	1		"	2'-6" X 6'-6"									
C	1		"	2'-6" X 6'-0"									



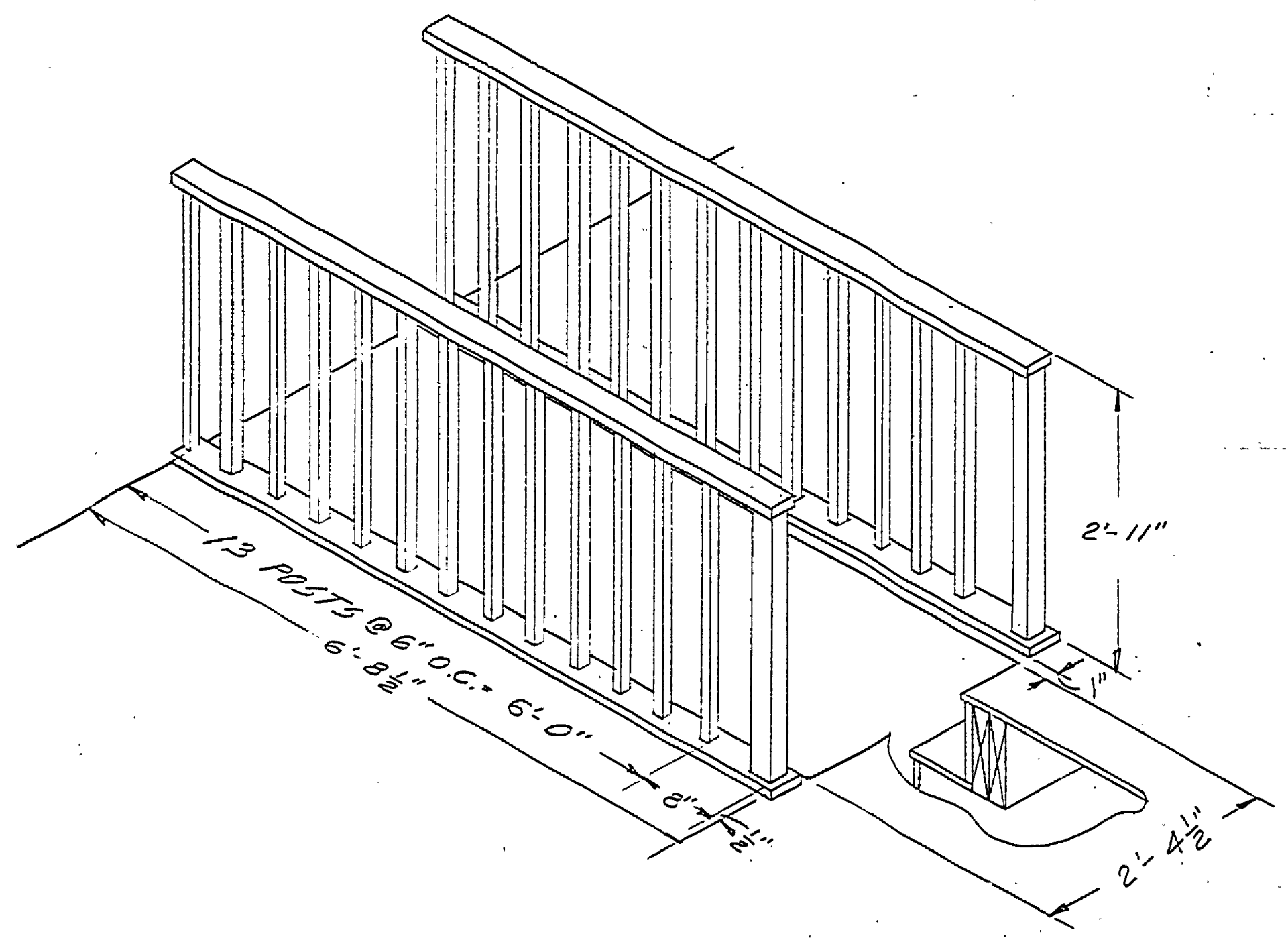
FOUNDATION PLAN



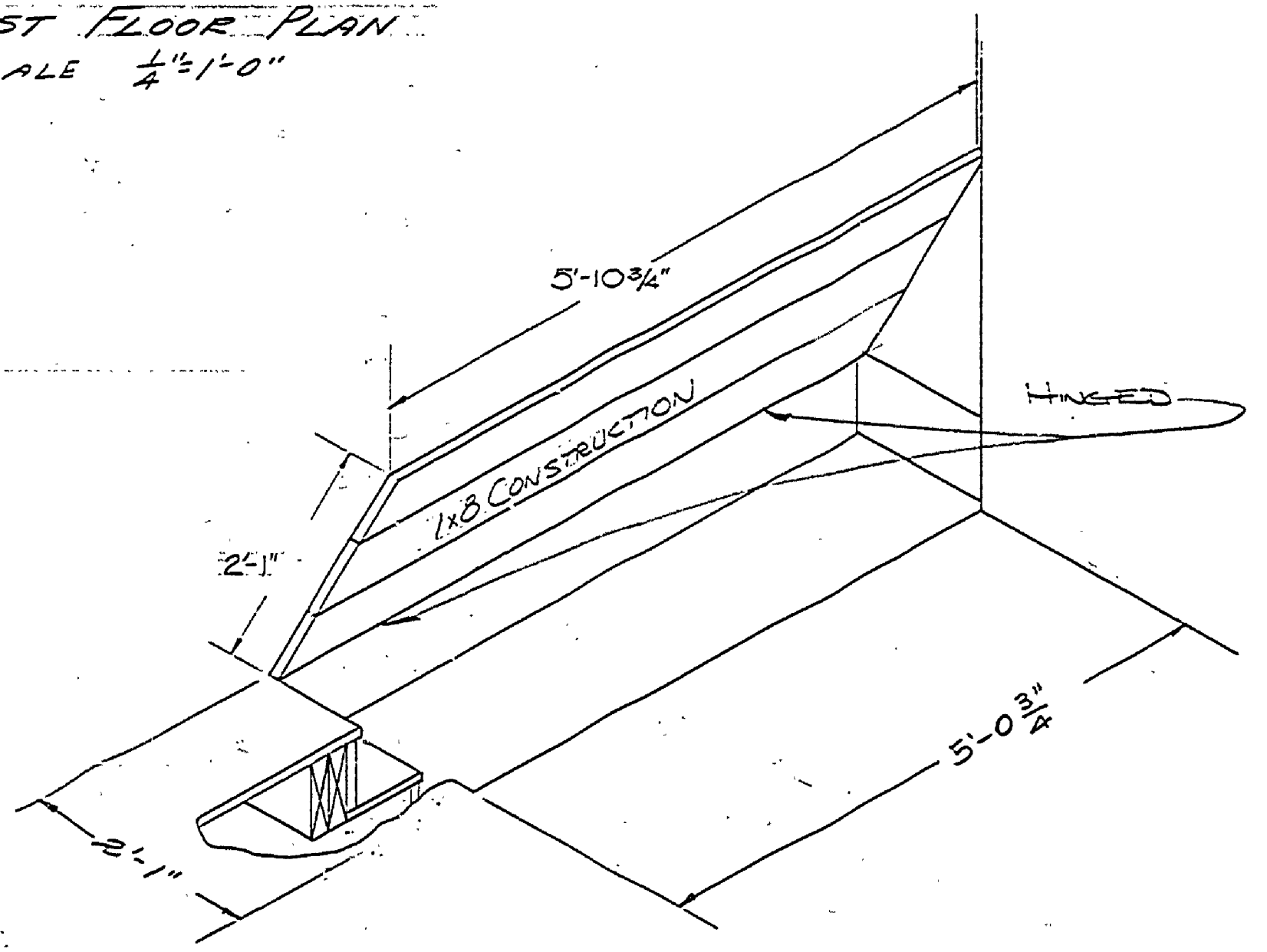
FIRST FLOOR PLAN
SCALE 1/4" = 1'-0"



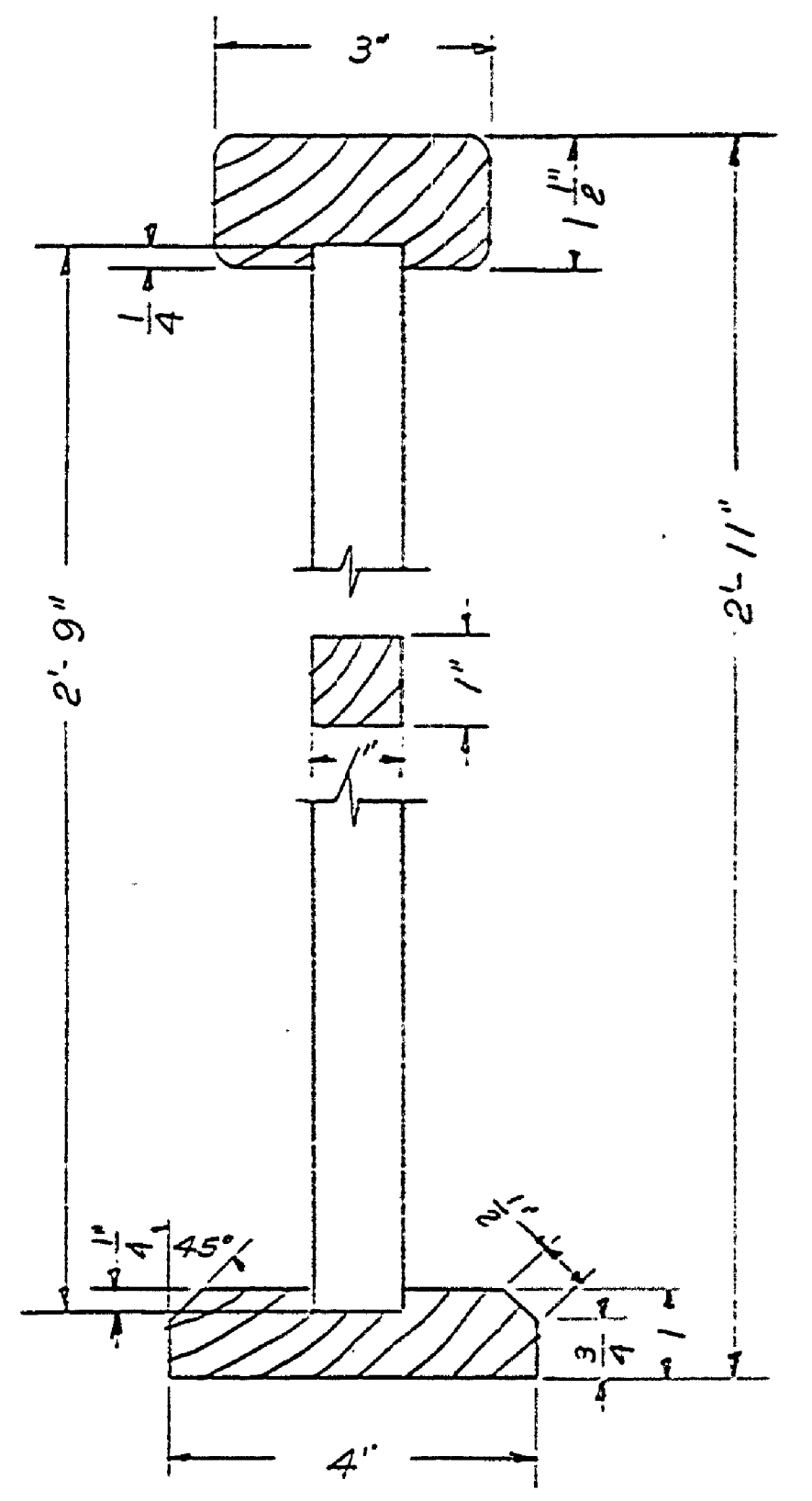
SECOND FLOOR PLAN



PICTORIAL DETAIL OF MAIN STAIR SAFETY RAIL
SCALE 3/4" = 1'-0"



PICTORIAL VIEW OF BASEMENT STAIR AND TRAP DOOR CONSTRUCTION
SCALE 3/4" = 1'-0"



CROSS-SECTION DETAIL OF TYPICAL STAIR SAFETY RAIL
SCALE 1/2" = 1"

- Brickwork To be Replaced SEE ELEV.
- Limestone to be replaced ABOVE GRADE ONLY
- Wood Frame To be Replaced
- Existing Structure

NOTE
THESE DRAWINGS ARE TO BE USED FOR RESTORATION PURPOSES ONLY. FOR INFORMATION & DIMENSIONS ON EXISTING STRUCTURE, SEE MEASURED DRAWINGS. THE DETAILS & ADDITIONS SHOWN ON THESE DRAWINGS WERE TAKEN FROM PHOTOS MADE DURING 1907 SURVEY & OBSERVATION OF EXISTING BUILDING. DETAILS ARE AS AUTHENTIC AS POSSIBLE