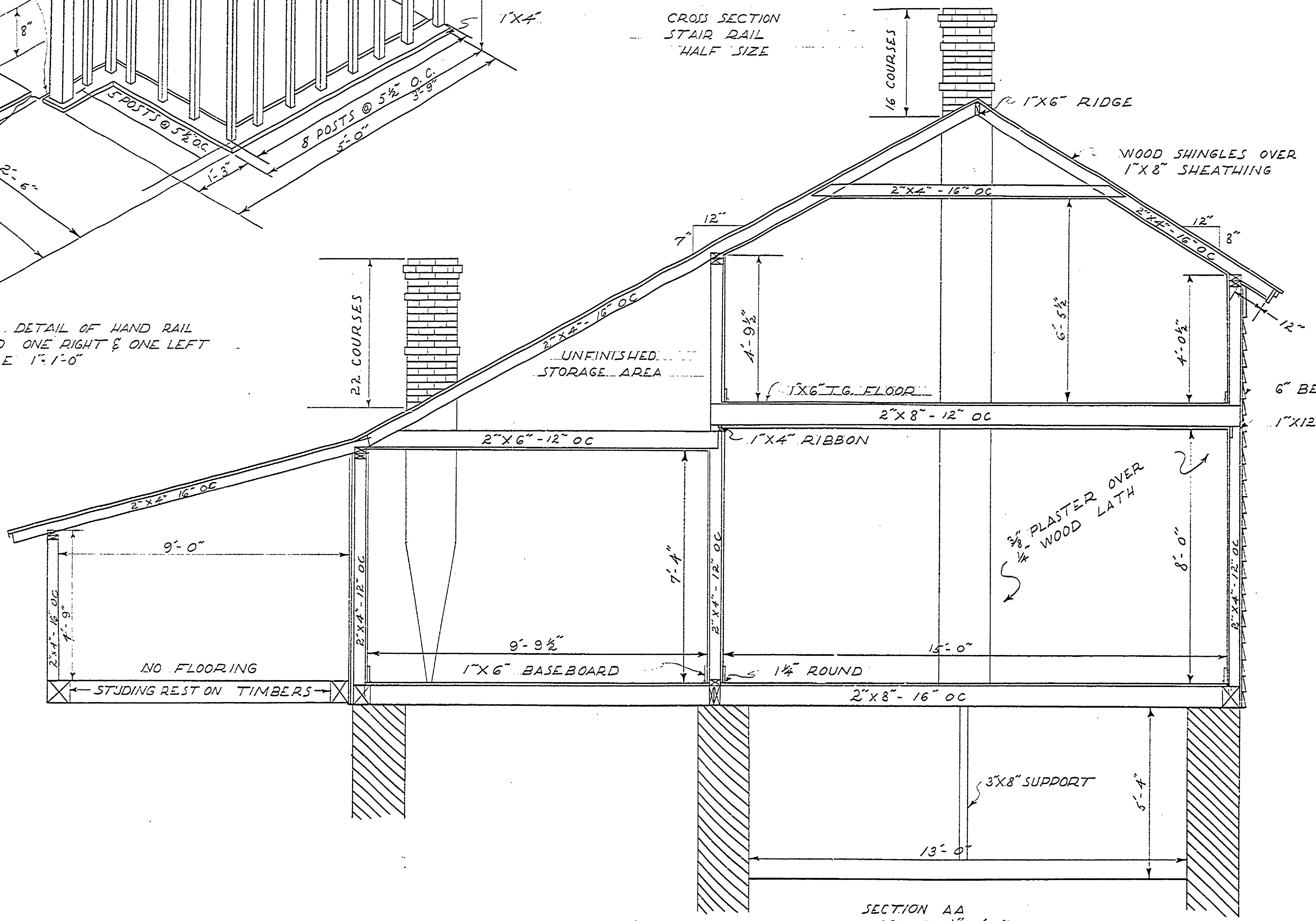
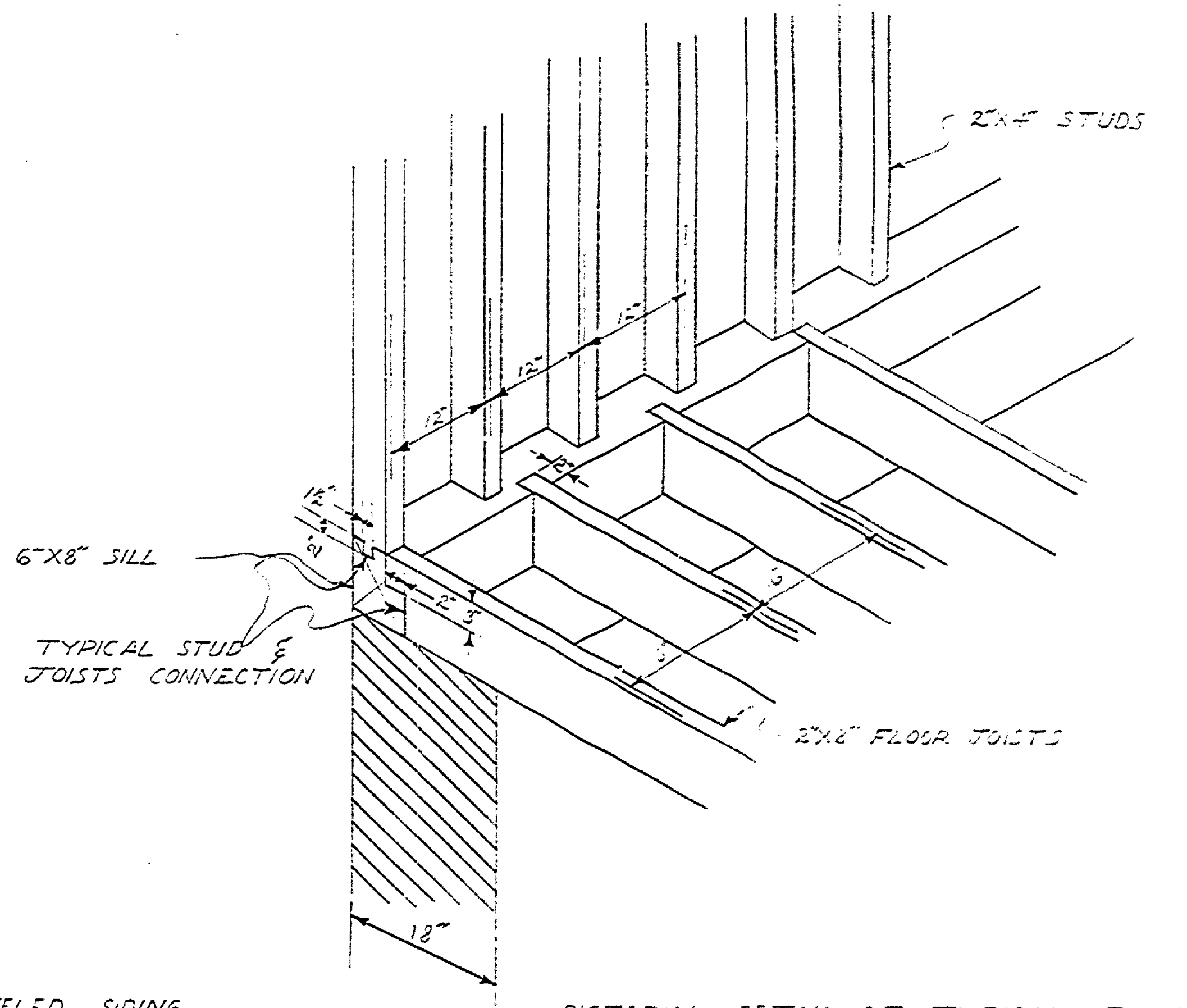
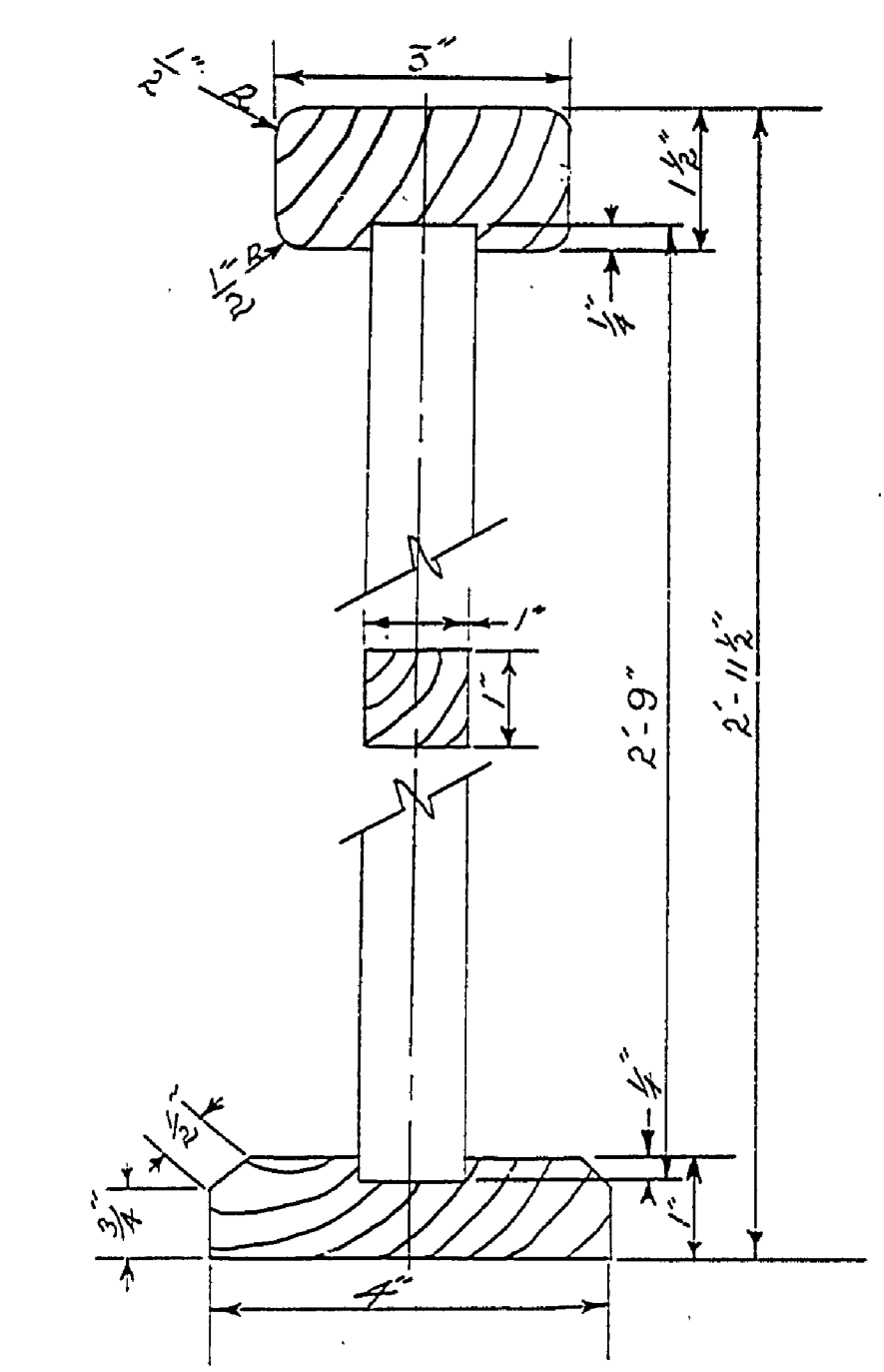
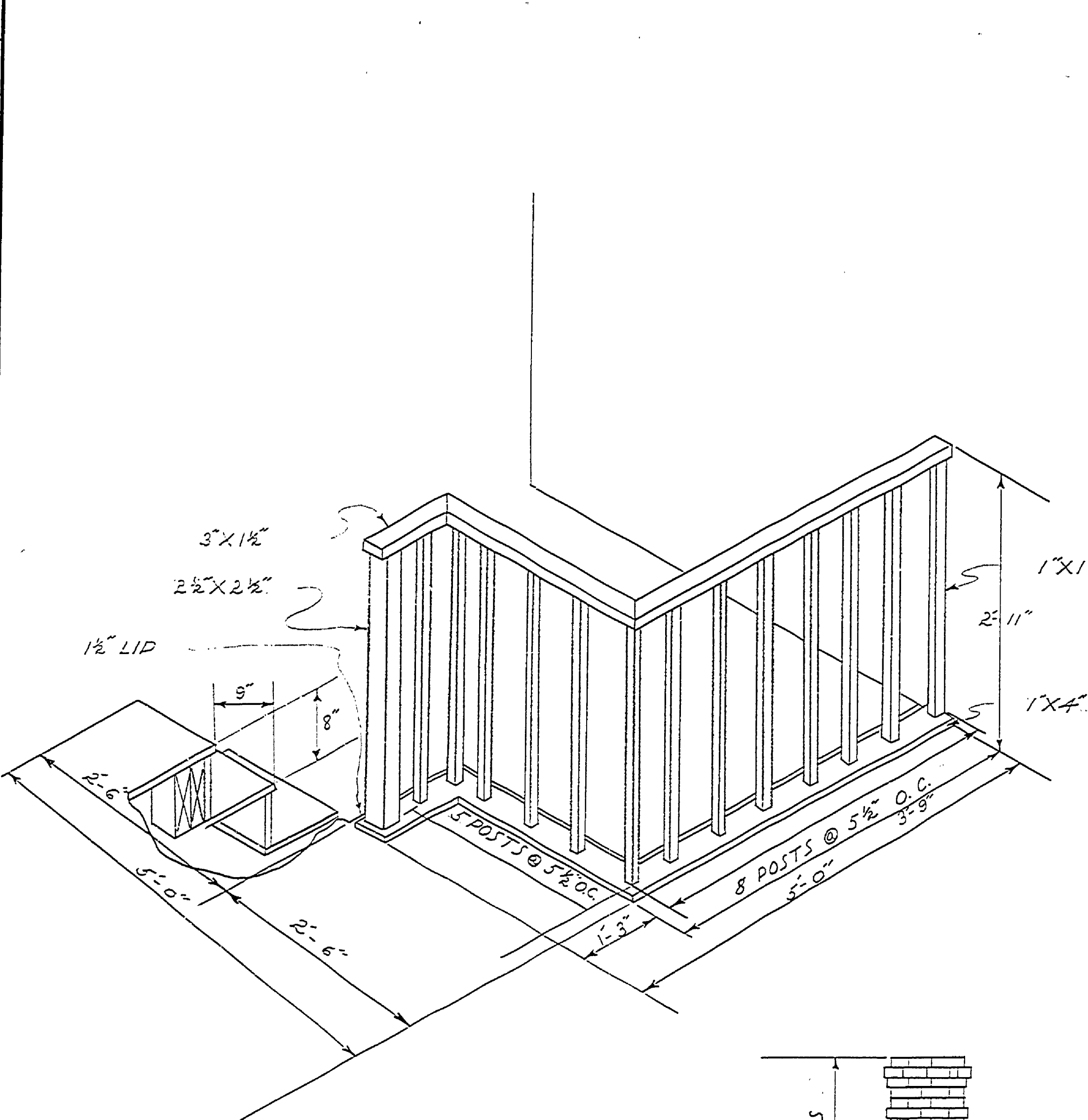


DESIGNED BY	CHECKED BY	DATE	REVIEWED	DATE	APPROVED	DATE	NO.	DATE	BY	REVISIONS
							1			4
							2			5
							3			6



SPECIAL NOTE.
 THIS STRUCTURE HAS BEEN DESTROYED OR MOVED SINCE THE 1907 SURVEY. FOUNDATION DOES NOT EXIST AND LOCATION IS SHOWN ON THE 1855 MAP. DIMENSIONS AND EXTERIOR DETAIL WERE ARRIVED AT THROUGH STUDY OF FOUNDATION SHARDS, PHOTOGRAPHS, SURVEY MAPS AND OTHER DATA TO KEEP THEM AS AUTHENTIC AS POSSIBLE. THE INTERIOR PLAN AND DETAIL WAS ASSUMED, BUT, FOLLOW AS CLOSELY AS POSSIBLE THE TYPICAL LAYOUTS AND DETAILS OF EXISTING STRUCTURES OF ITS TYPE IN THE FAYETTE AREA.

SECTION AA
 SCALE 1/2" = 1'-0"