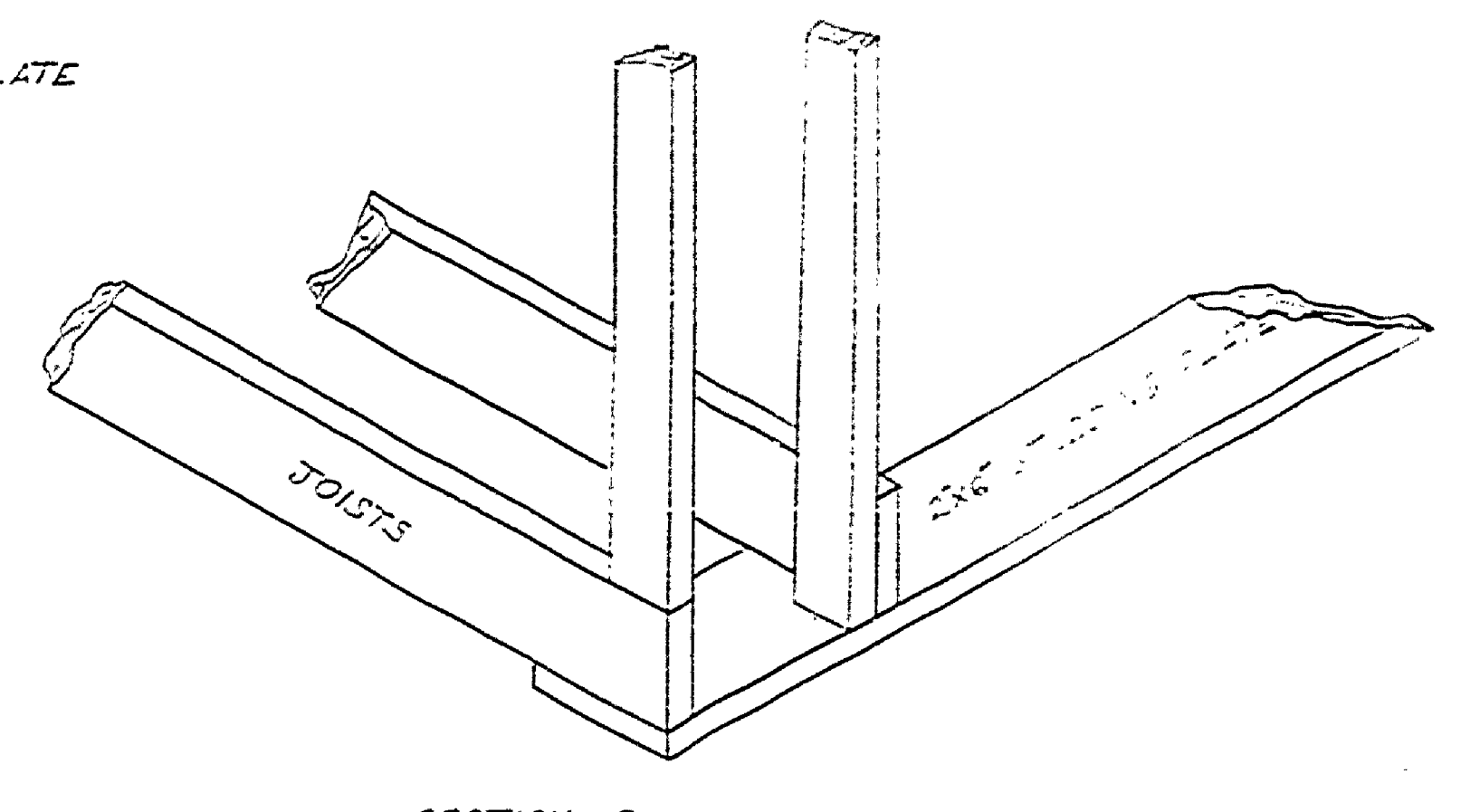
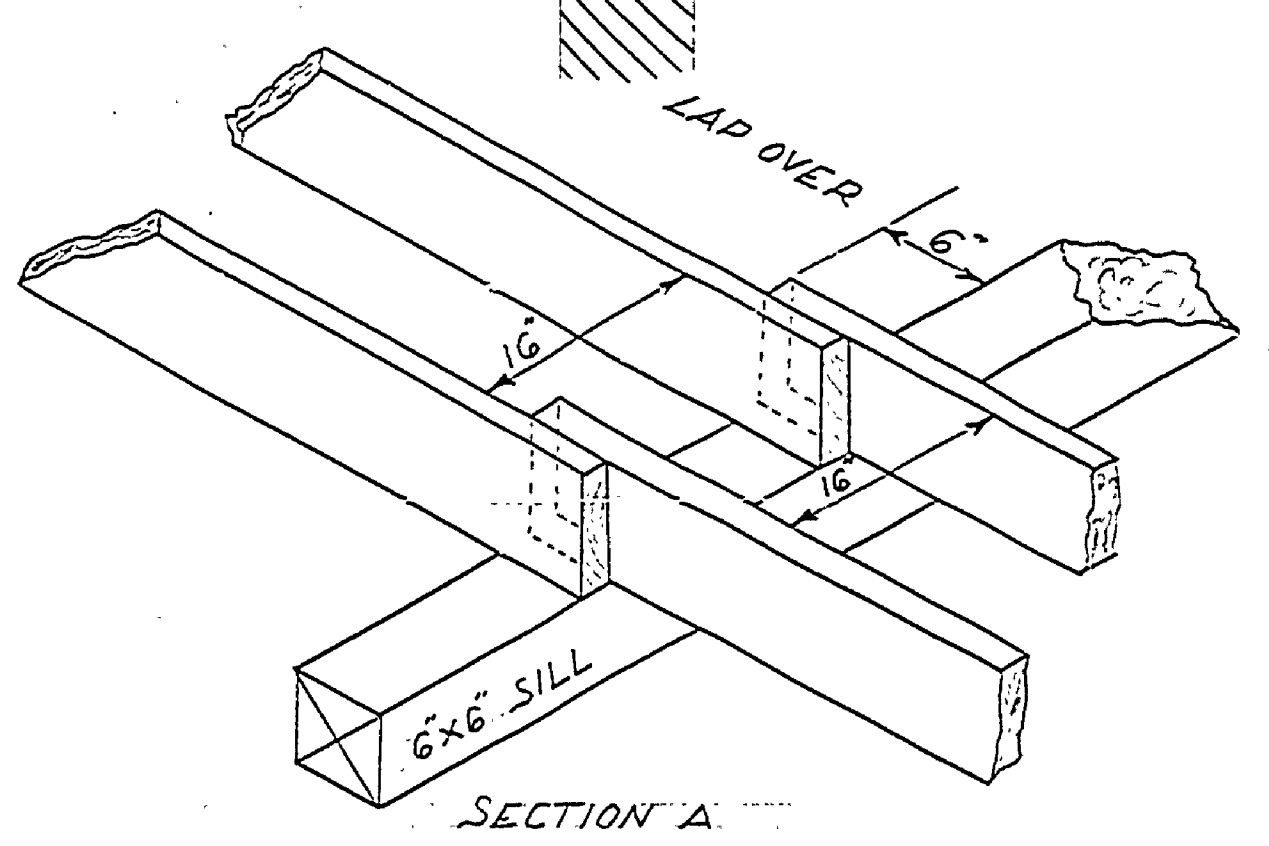
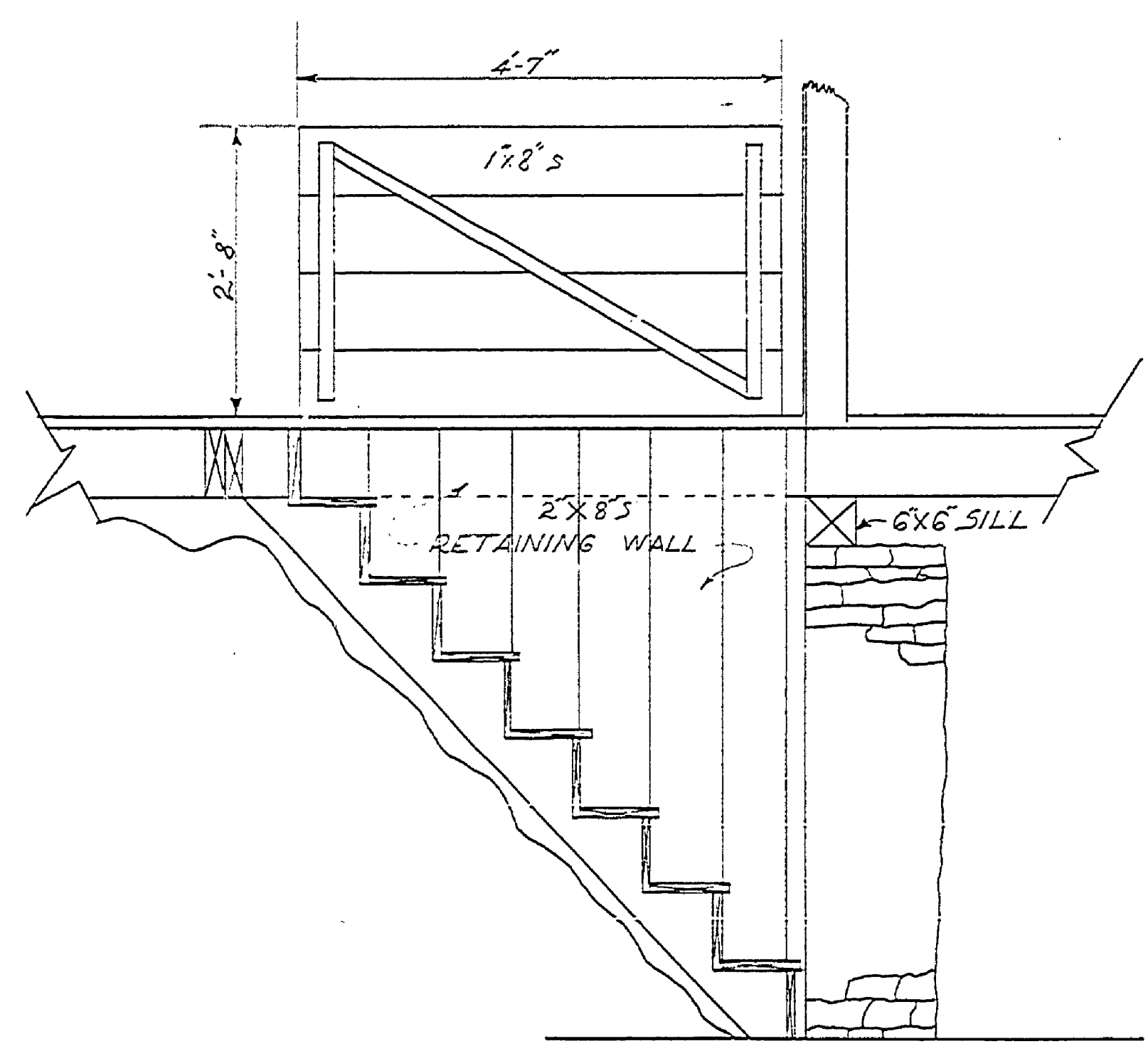
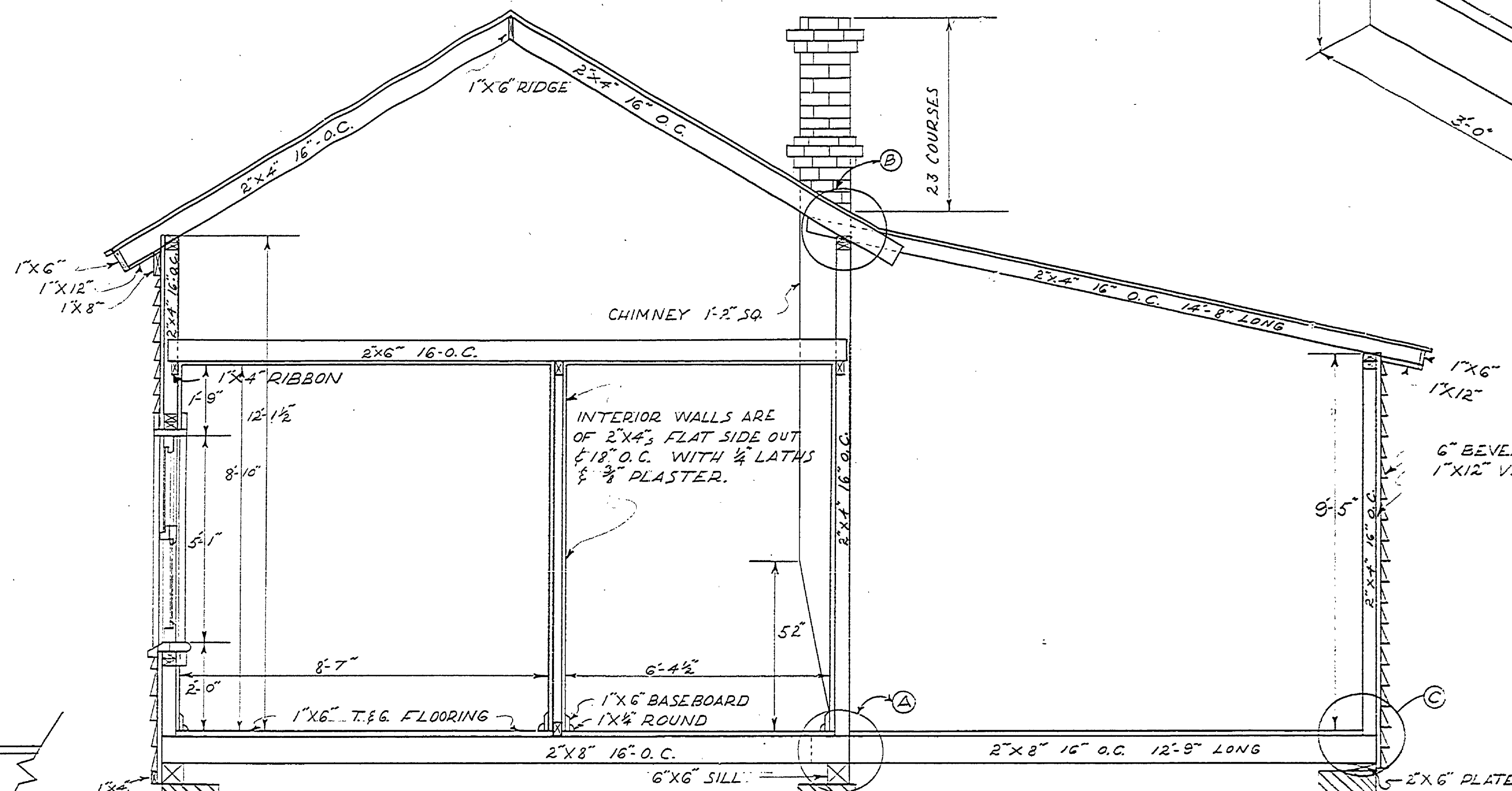
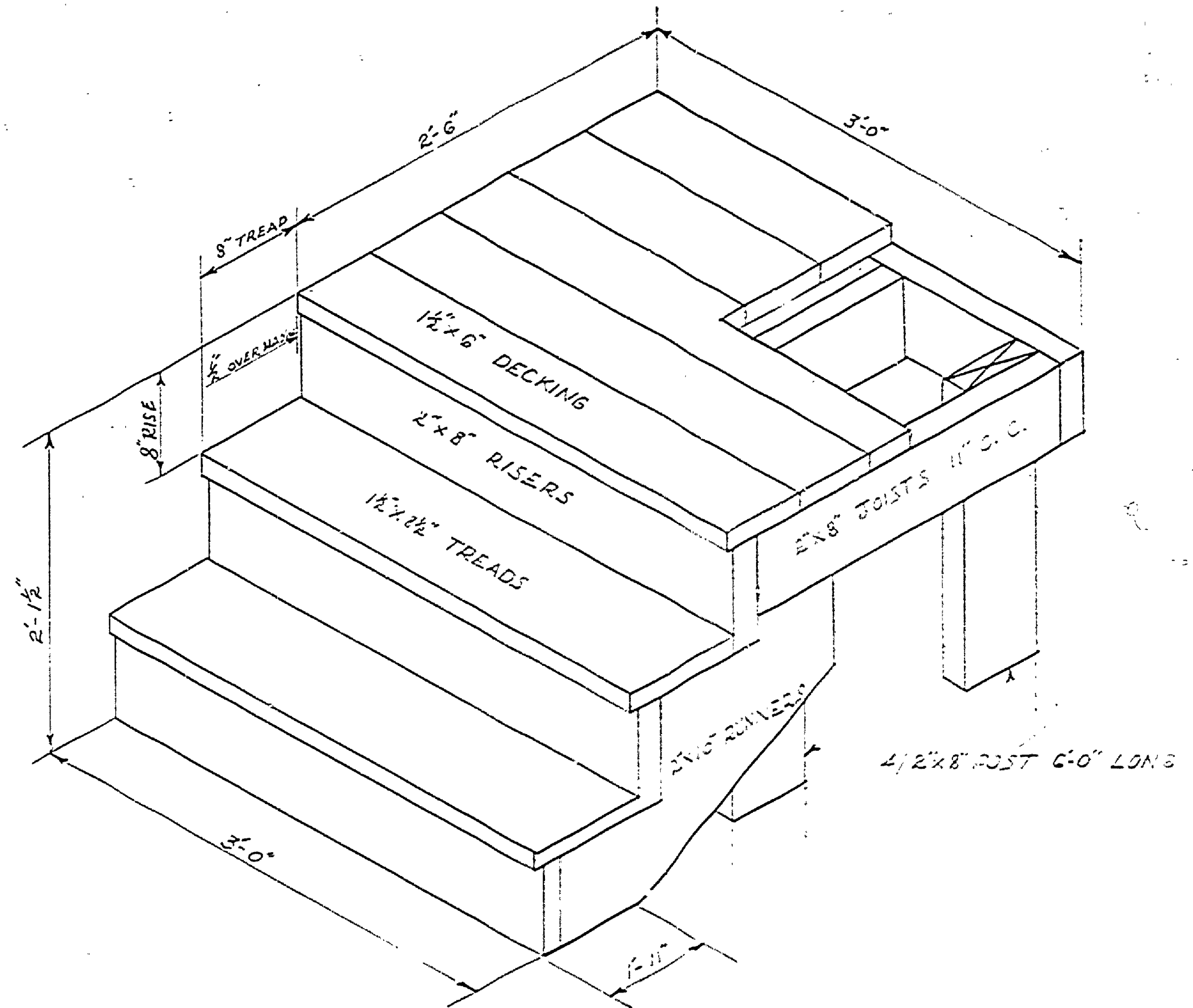
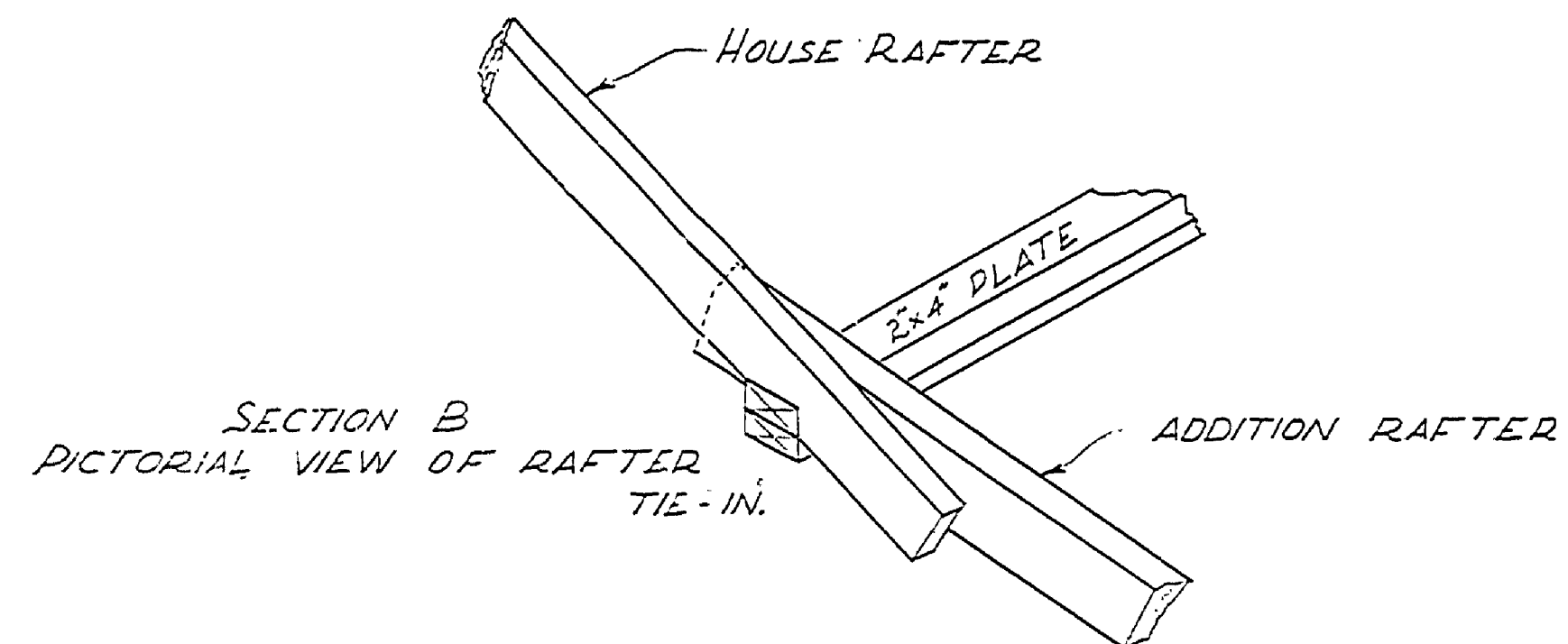


DESIGNED BY	CHECKED BY	DATE	REVIEWED	DATE	APPROVED	DATE	NO.	DATE	BY	REVISIONS	DATE	BY
		3/22/23	ARCHITECTURAL ENGINEERING LANDSCAPE				1			4		
							2			5		
							3			6		

SPECIAL NOTE
 THIS STRUCTURE HAS BEEN DESTROYED OR MOVED SINCE THE 1907 SURVEY. FOUNDATION SHARDS EXIST AND LOCATION IS SHOWN ON THE 1955 MAP. DIMENSIONS AND EXTERIOR DETAIL WERE ARRIVED AT THROUGH STUDY OF FOUNDATION SHARDS, PHOTOGRAPHS, SURVEY MAPS, AND OTHER DATA TO KEEP THEM AS AUTHENTIC AS POSSIBLE. THE INTERIOR PLAN AND DETAIL WAS ASSUMED, BUT, FOLLOW AS CLOSELY AS POSSIBLE THE TYPICAL LAYOUTS AND DETAILS OF EXISTING STRUCTURES OF ITS TYPE IN THE FAYETTE AREA.



MICHIGAN
 DEPARTMENT OF CONSERVATION
 PARKS AND RECREATION DIVISION

CONCEPTUAL DRAWING
 FAYETTE HISTORICAL TOWNSITE
 FAYETTE STATE PARK

SHEET
 NO. 1
 OF 2

PLAN NO.
 # 24