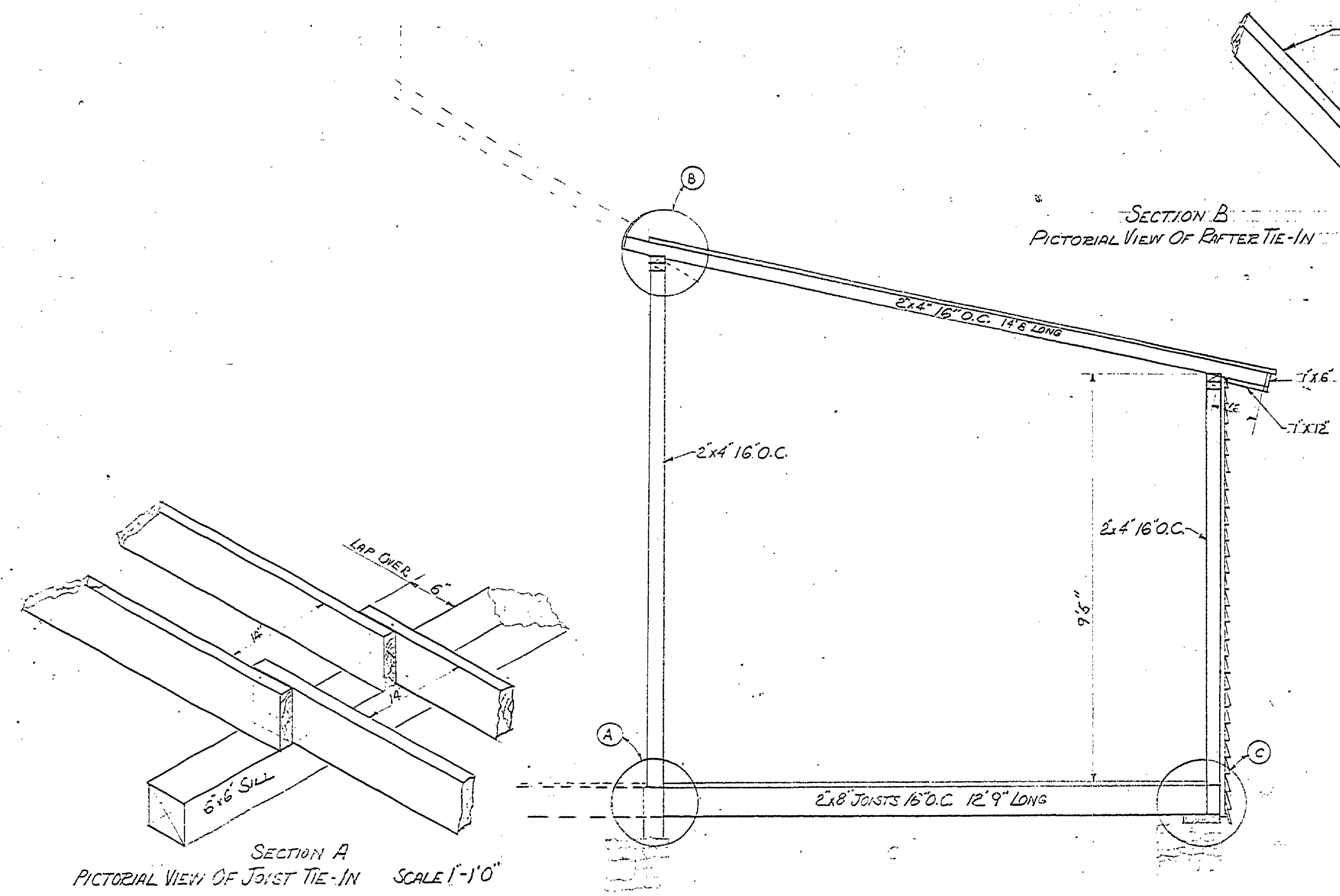
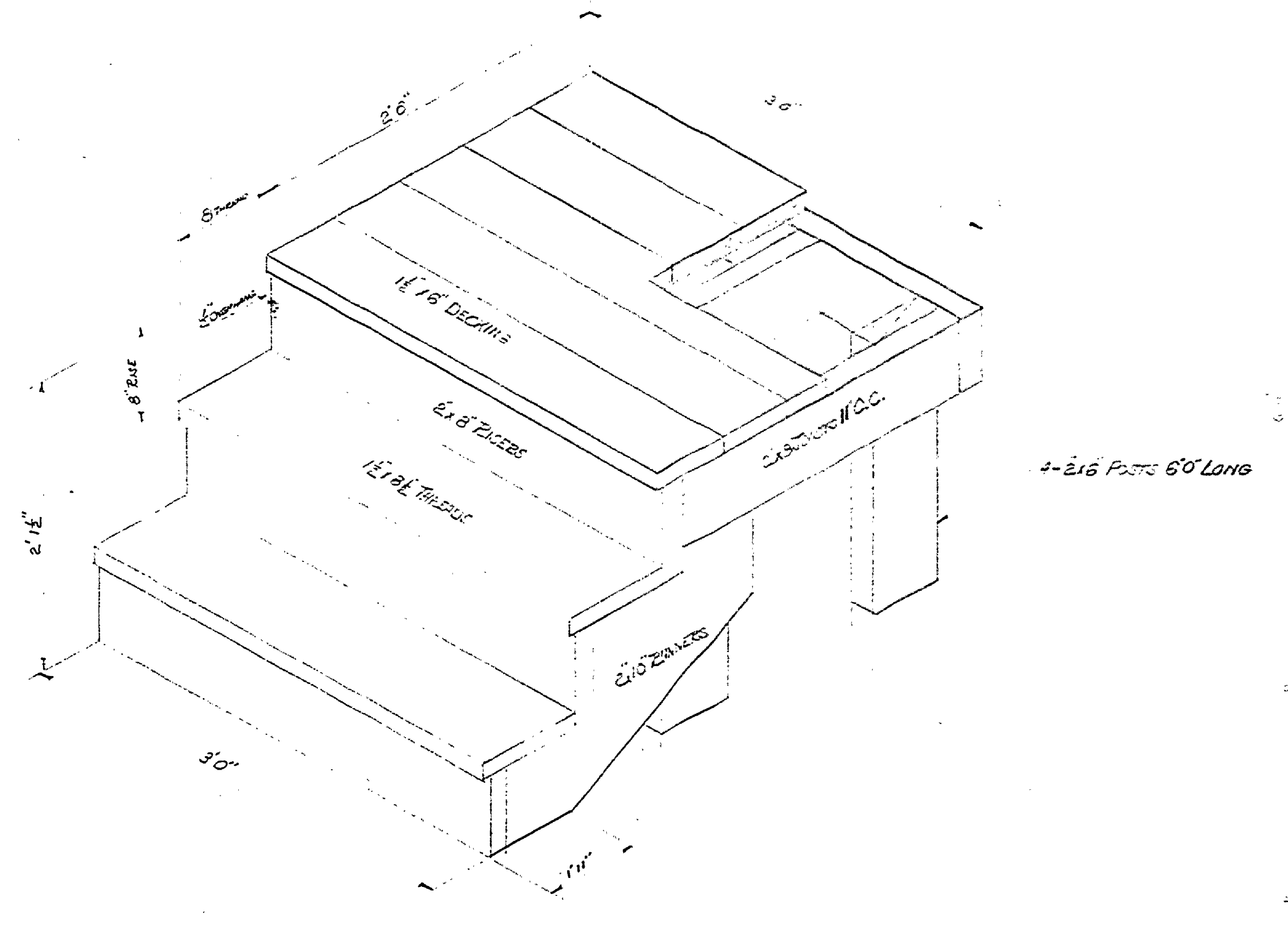
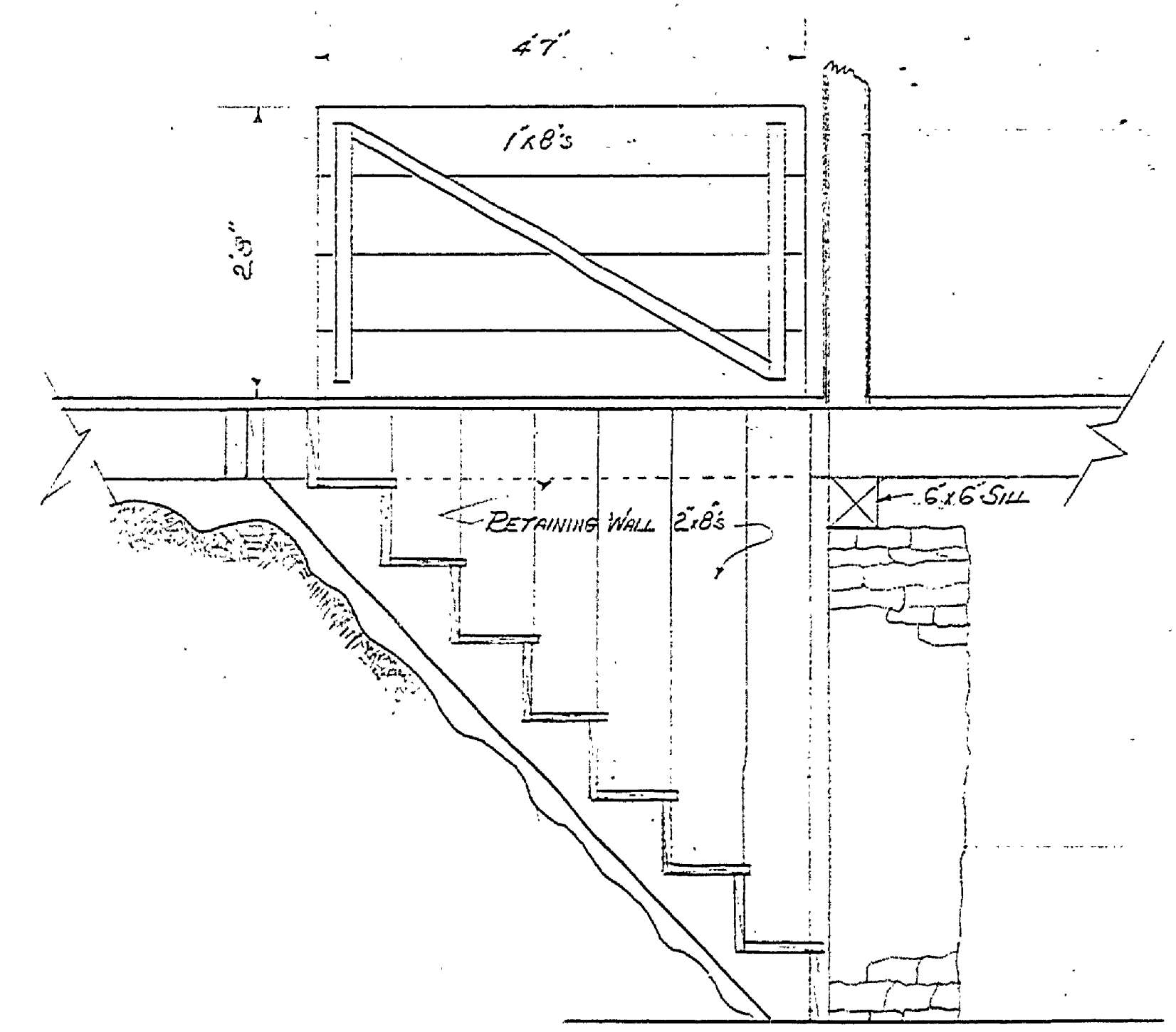
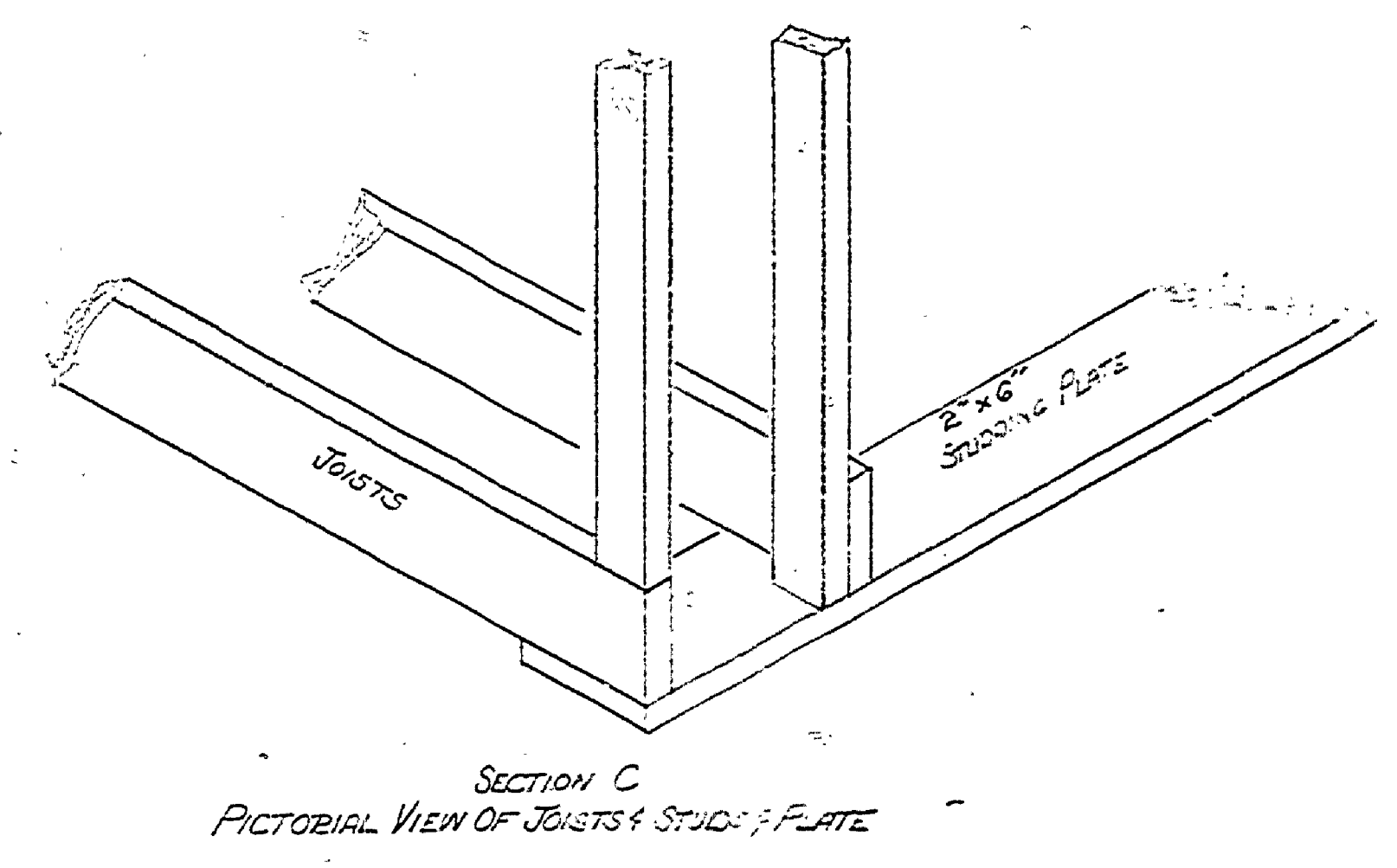


DESIGNED BY	DATE	REVIEWED	DATE	APPROVED	DATE	NO.	DATE	REVISIONS
DRAWN BY <i>James P. Lawrence</i> CHECKED BY	6/10/83	ARCHITECTURAL ENGINEERING LANDSCAPE	<i>[Signature]</i>	<i>[Signature]</i>	<i>[Signature]</i>	1		4
						2		5
						3		6



SPECIAL NOTE
THESE DRAWINGS ARE TO BE USED FOR RESTORATION PURPOSES ONLY. FOR INFORMATION AND DIMENSIONS ON EXISTING STRUCTURE SEE MEASURED DRAWINGS.



MICHIGAN
DEPARTMENT OF CONSERVATION
PARKS AND RECREATION DIVISION

RESTORATION DRAWING
FAYETTE HISTORICAL TOWNSITE
FAYETTE STATE PARKS

DETAIL SHEET
NO. 2
OF 2
PLAN NO. 25