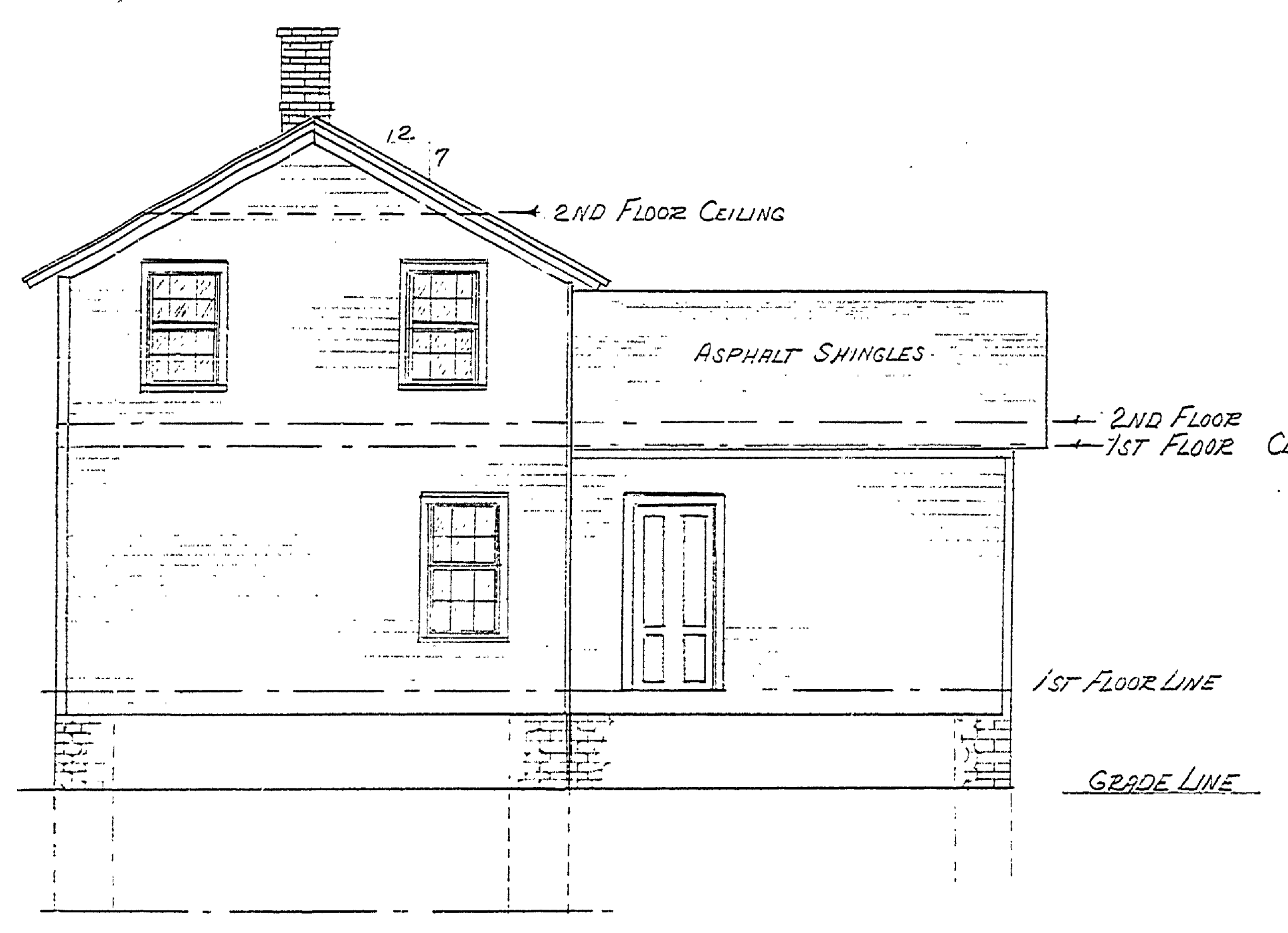
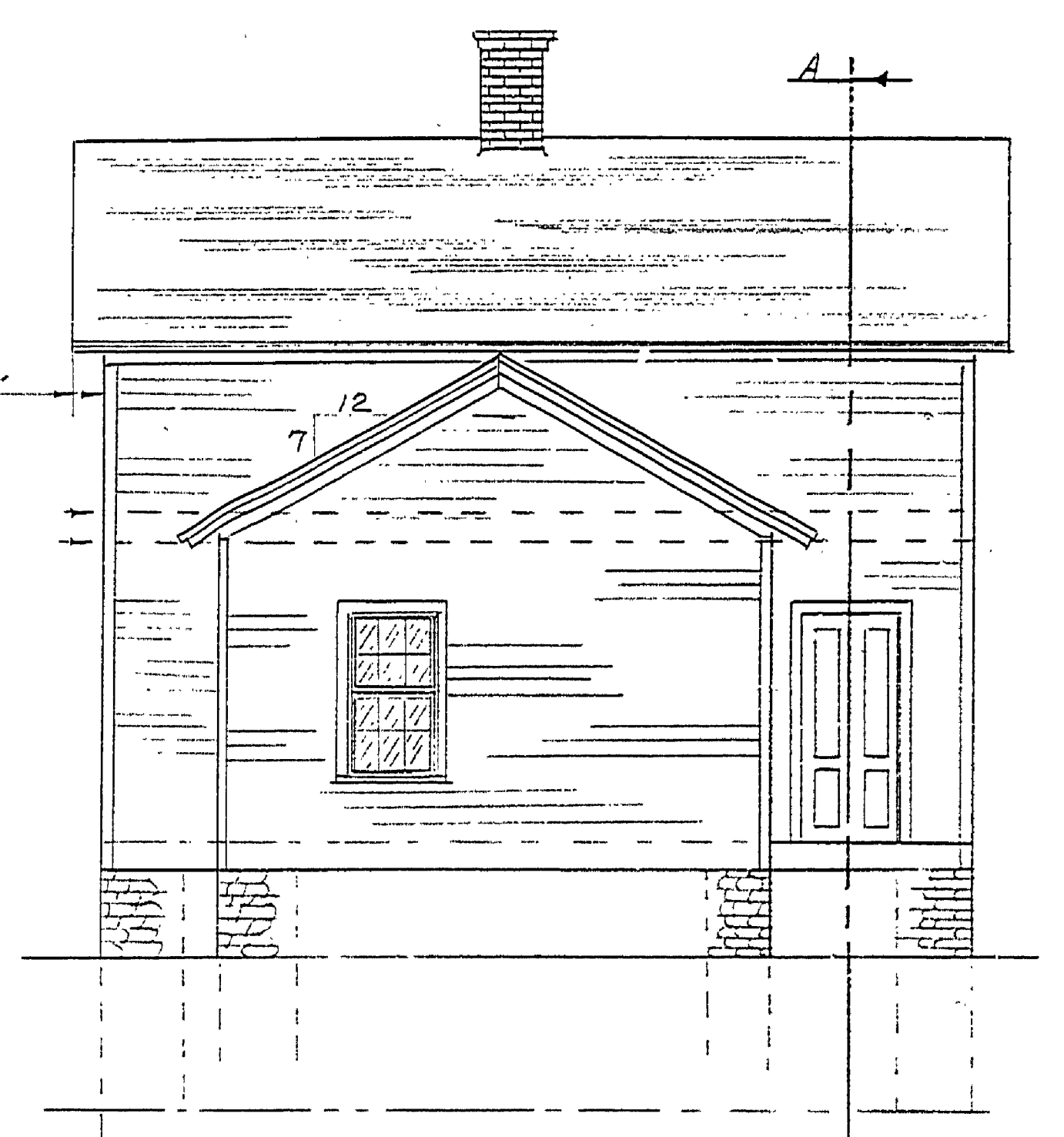


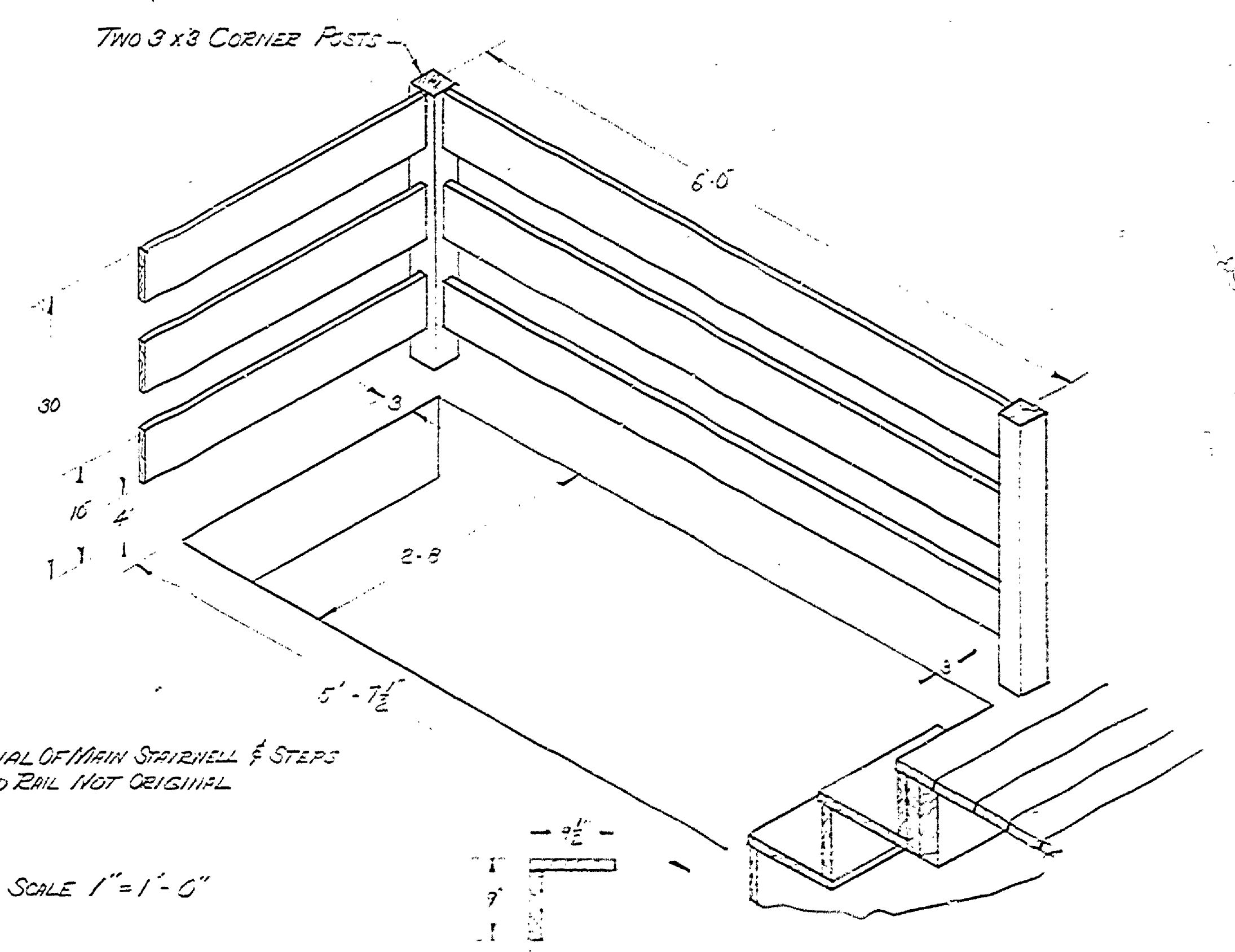
DESIGNED BY	CHECKED BY	DATE	REVIEWED	DATE	APPROVED	NO.	DATE	REVISIONS
BY <i>[Signature]</i>			ARCHITECTURAL			1		
DRAWN BY <i>[Signature]</i>			ENGINEERING			2		
CHECKED BY			LANDSCAPE			3		
								4
								5
								6



EAST ELEVATION

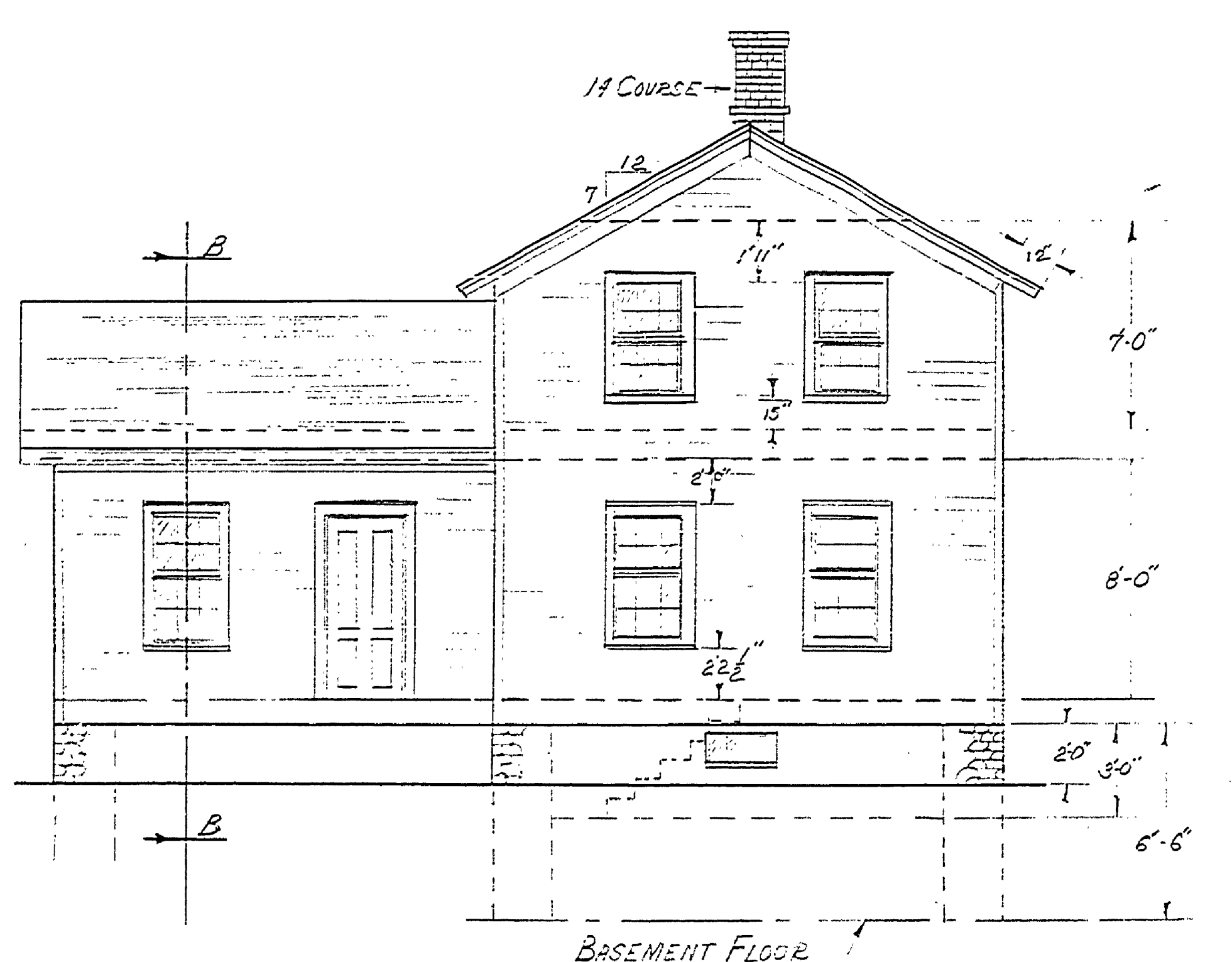


NORTH ELEVATION

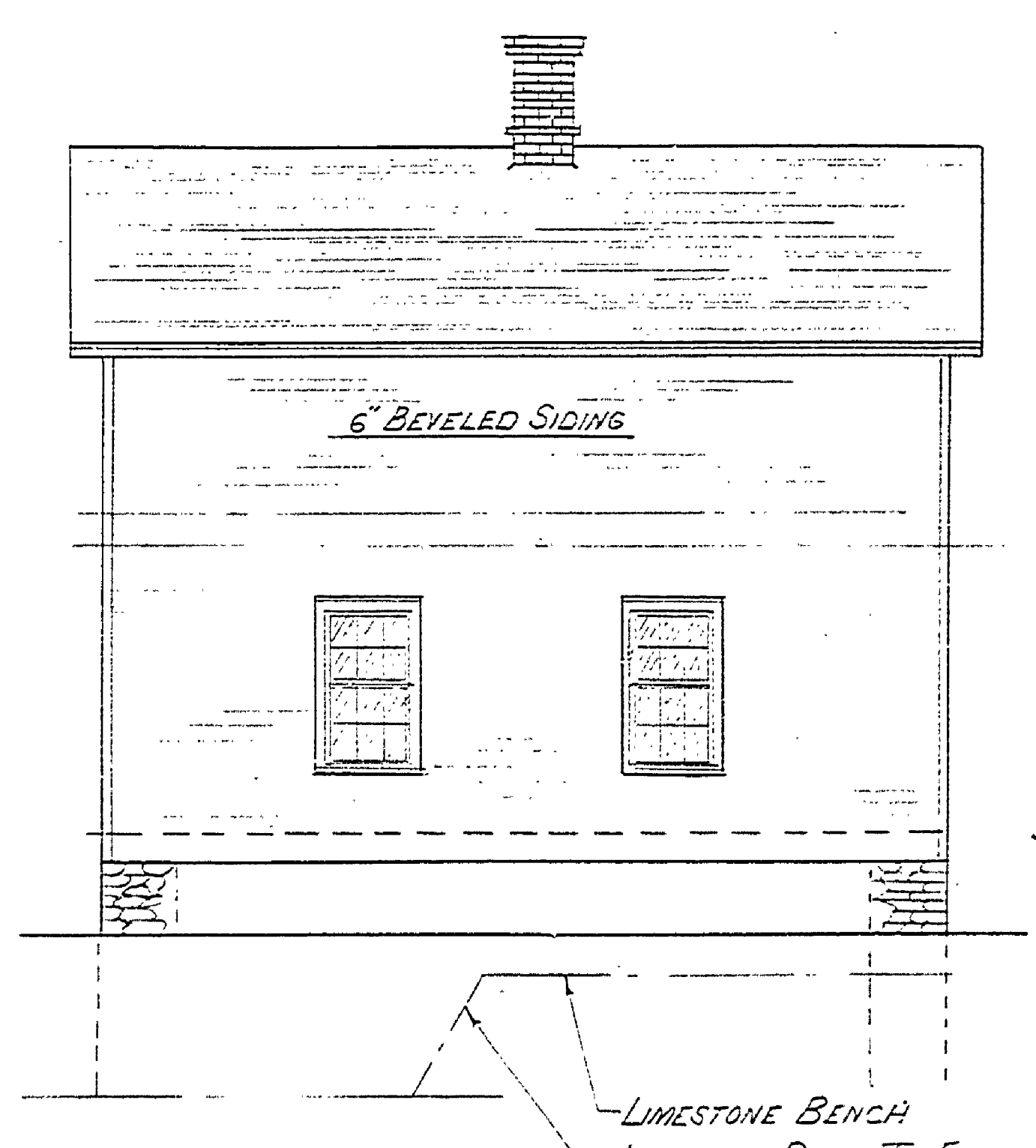


PICTORIAL OF MAIN STAIRWELL & STEPS GUARD RAIL NOT ORIGINAL

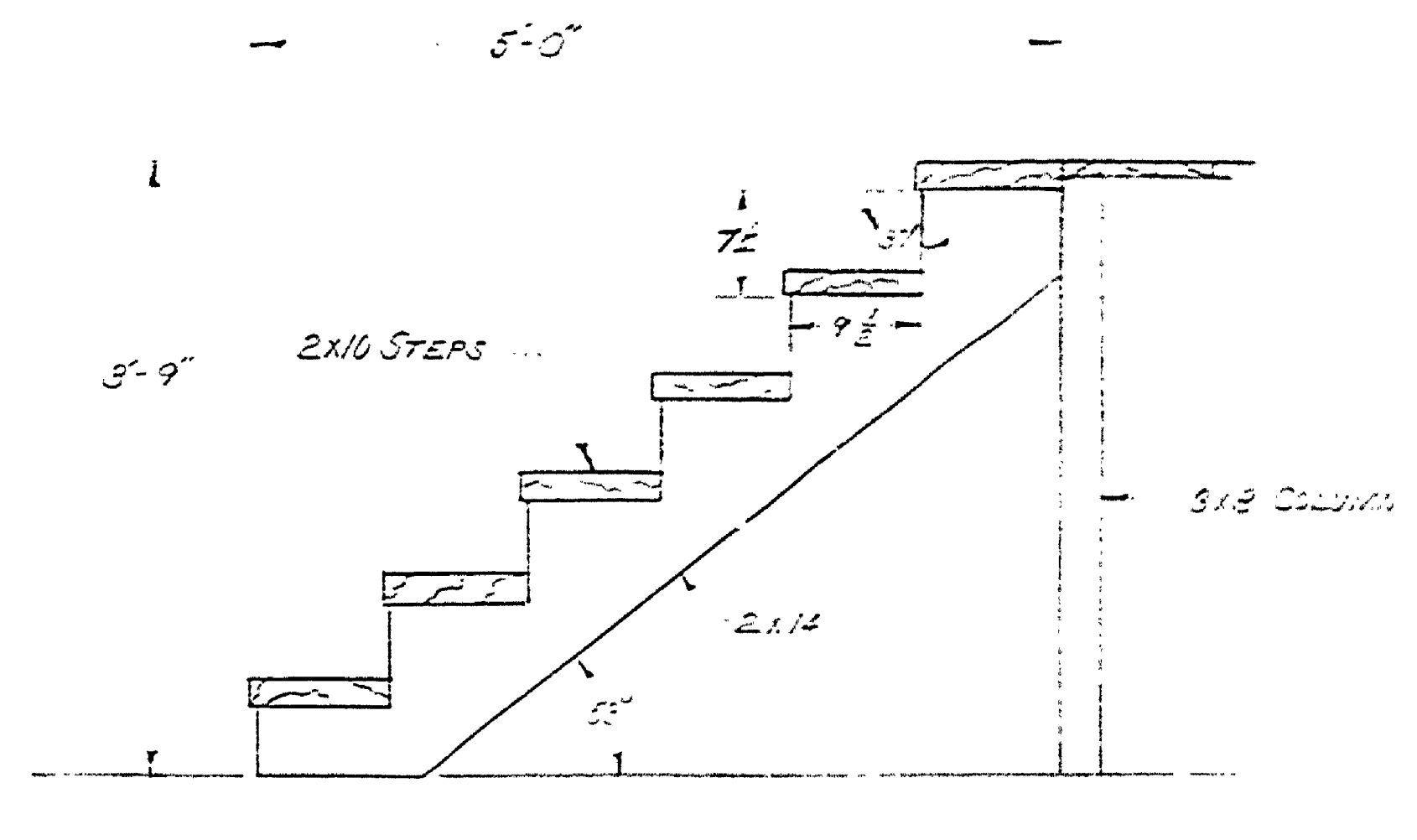
SCALE 1" = 1'-0"



WEST ELEVATION



SOUTH ELEVATION



BASEMENT STAIR DETAIL

SCALE 1" = 1'-0"

NOTE STAIRWAY DRINGS ETC.

SCALE 1/4" = 1'-0" UNLESS NOTED

BLDG NO 26 & 27