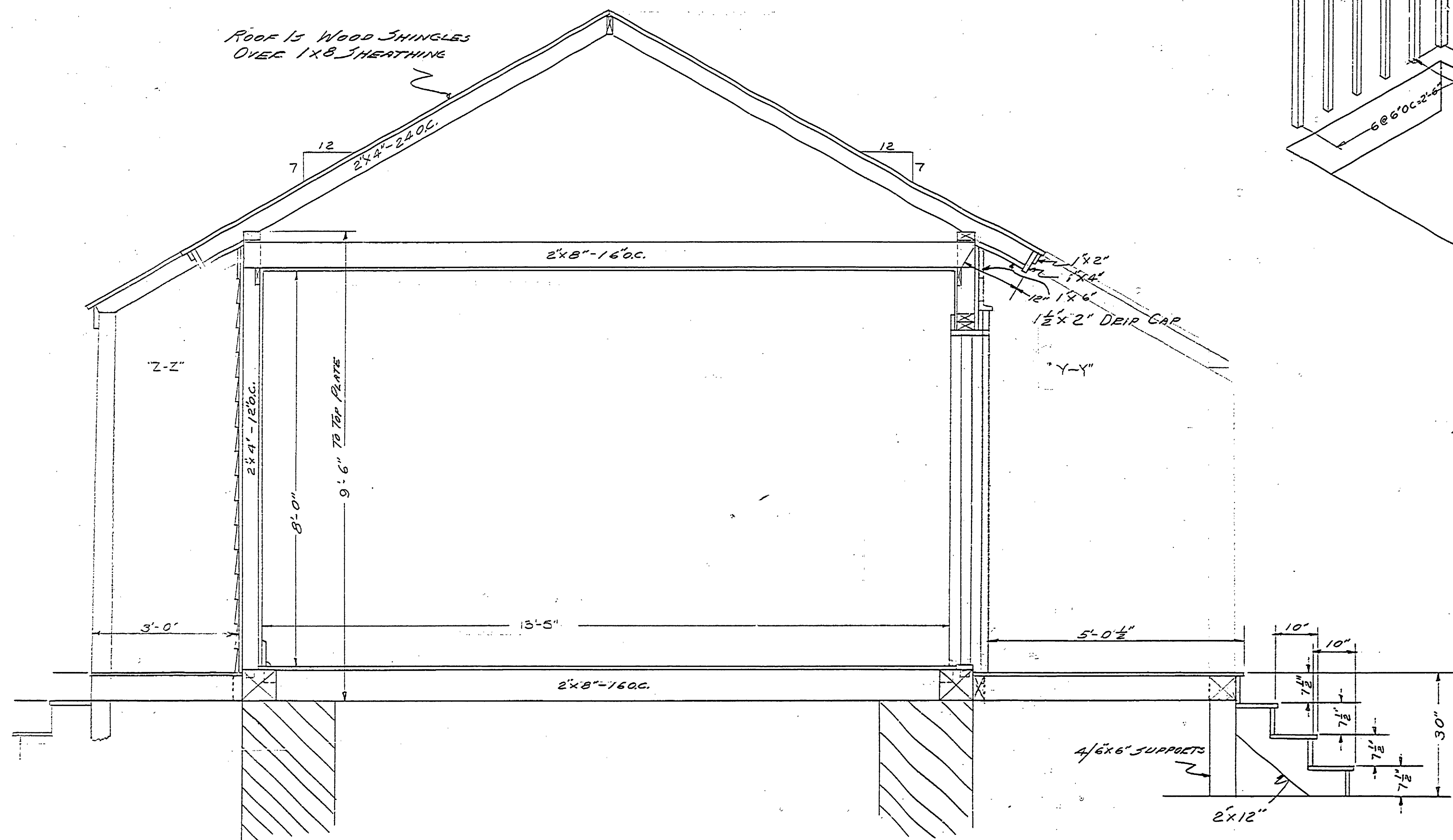


DATE	REVIEWED	DATE	APPROVED	DATE	NO.	DATE	BY	REVISIONS	DATE	BY
2-27-62	ARCHITECTURAL				1			4		
	ENGINEERING				2			5		
	LANDSCAPE				3			6		

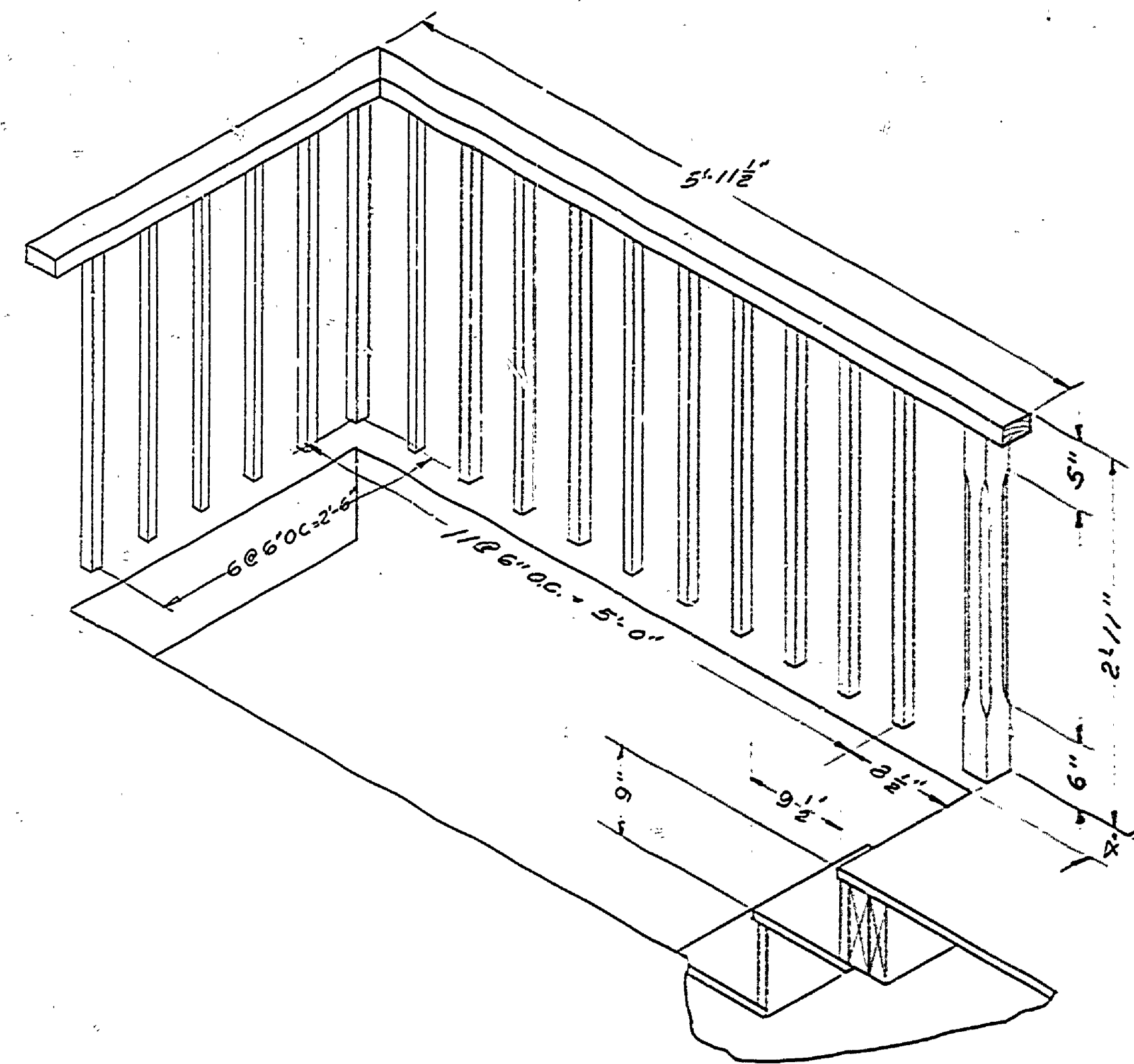
DESIGNED BY
DRAWN BY *W. W. W. W.*
CHECKED BY



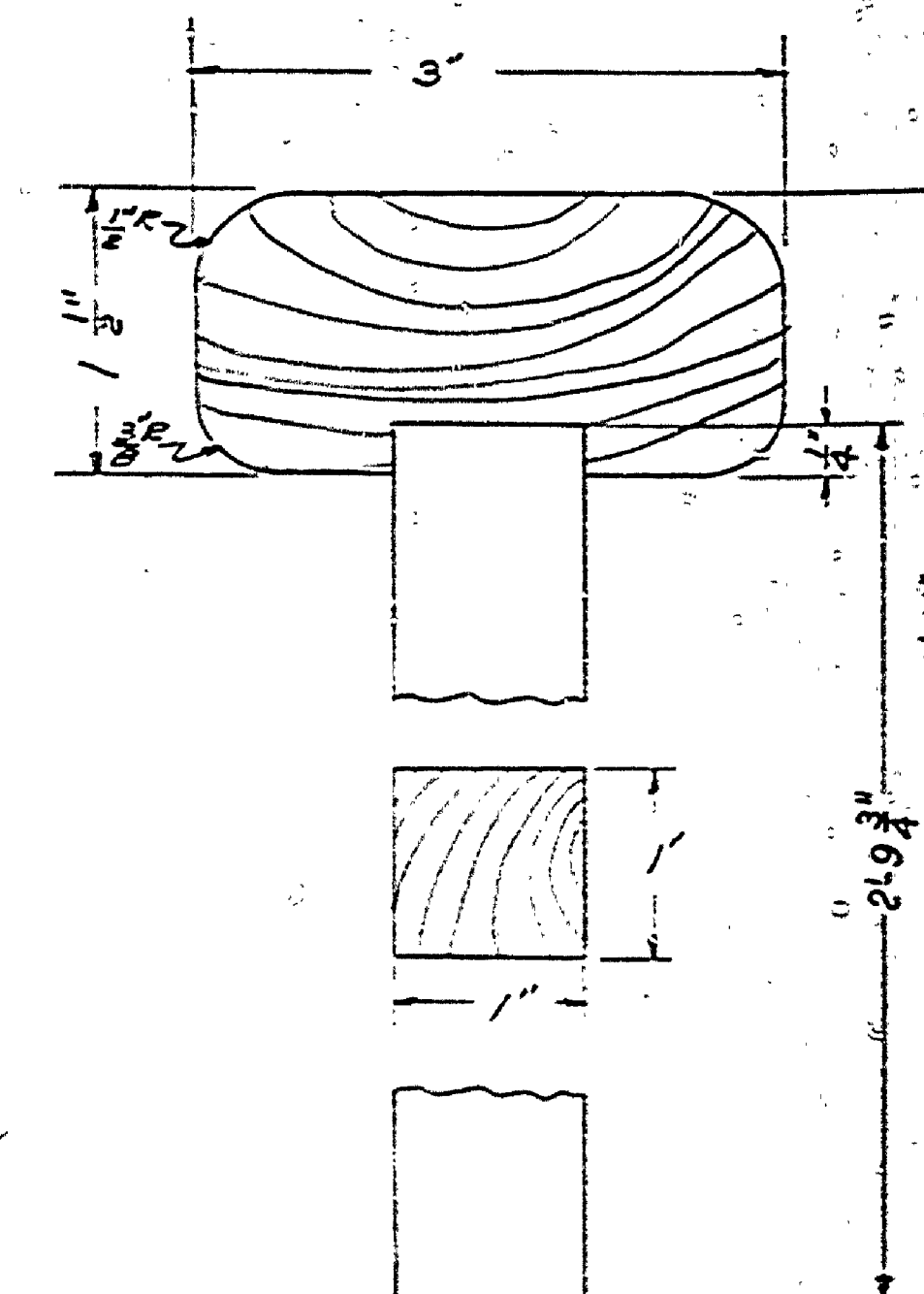
SECTION DD
PORCH TO BE REPLACED

SECTION CC
PORCH TO BE REPLACED

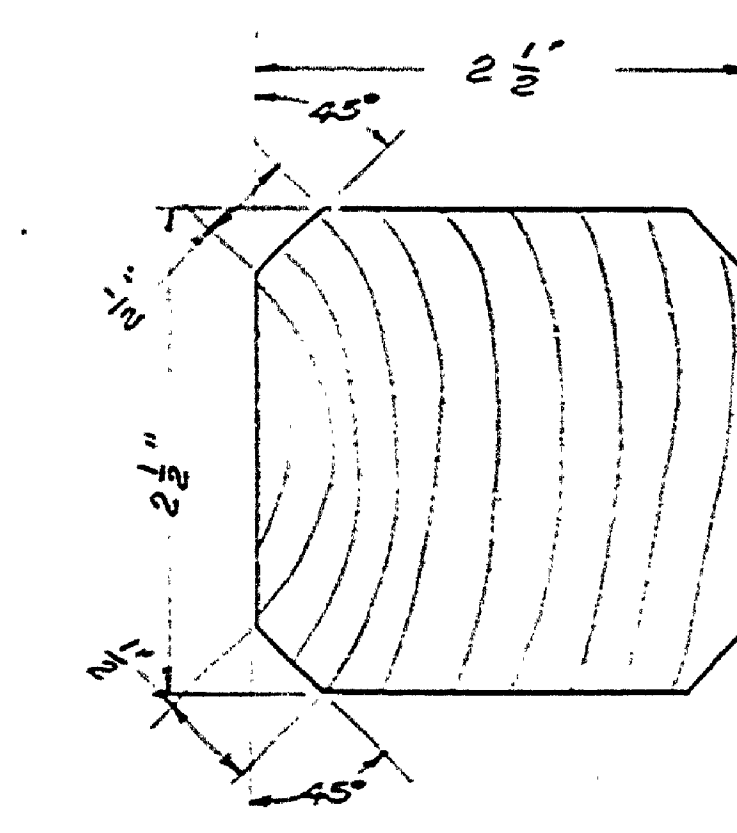
SCALE $\frac{3}{4}'' = 1'-0''$



PICTORIAL OF GUARD RAIL TO BE REPLACED
SCALE 1'' = 1'-0''



CROSS SECTION



END SUPPORT POST
FULL SCALE

NOTE:
IN THE SECTION "Z-Z" OF THESE DRAWINGS THERE WAS ONLY ONE COPY SORT OF BOBBED FROM THE WORKS OF THE EASTMAN ARE LEFT WHERE INDICATED BY DOTTED LINES ON THIS SHEET. THEY ARE 26" ON CENTER. OTHER THAN THIS THERE IS NO INFORMATION AVAILABLE NO FOUNDATION DOTTED LINES OR INDICATIONS OF EXISTING CONSTRUCTION ARE TO BE FOUND AT THE SITE. NO PHOTO GRAPHS ARE AVAILABLE SHOWING IT. WATERMARK DO NOT LEAVE ENOUGH EVIDENCE TO RECONSTRUCT.
SECTION "Y-Y" INDICATES WHERE A HOLE WAS BORED INTO THE WEST PORCH. ENDS ARE LEFT BY CUTOUT. LINE TO THE AND WATERMARKS. IN THIS CASE ALSO, THERE ARE NO PHOTOS OR EVIDENCE TO RECONSTRUCT WITHOUT BEING INVENTIVE.