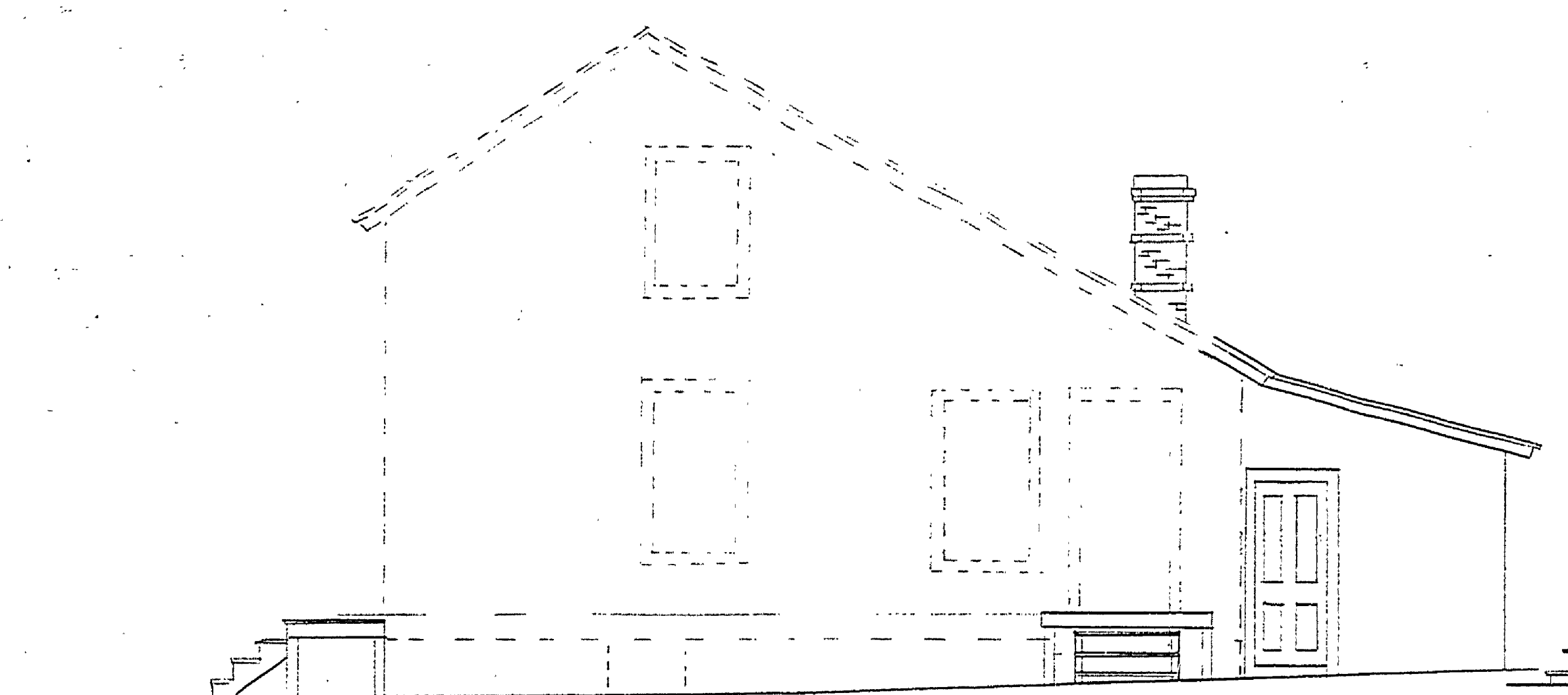
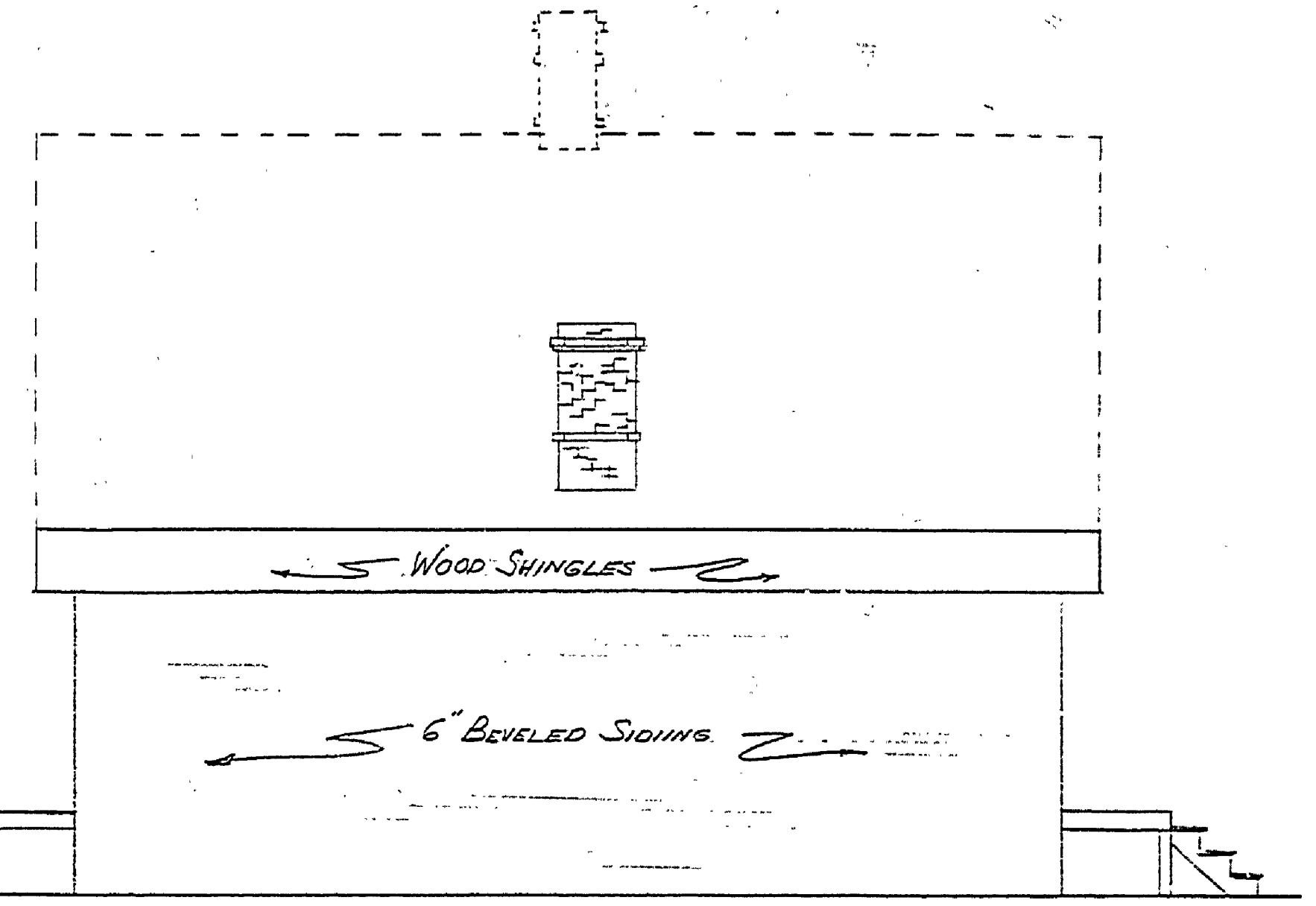


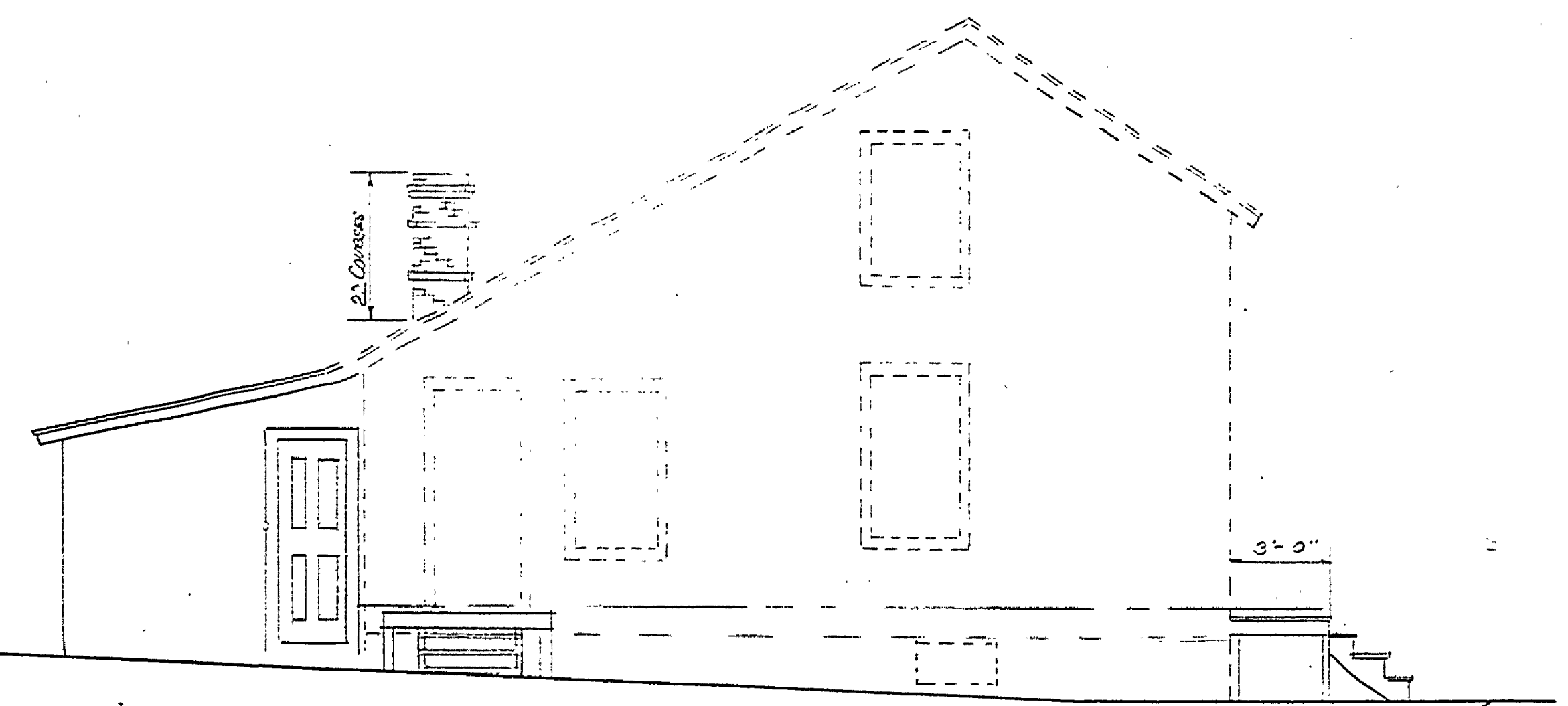
DESIGNED BY	CHECKED BY	DATE	REVIEWED BY	DATE	APPROVED	DATE	NO.	DATE	BY	REVISIONS	DATE
		12-24-44	ARCHITECTURAL				1			4	
			ENGINEERING				2			5	
			LANDSCAPE				3			6	



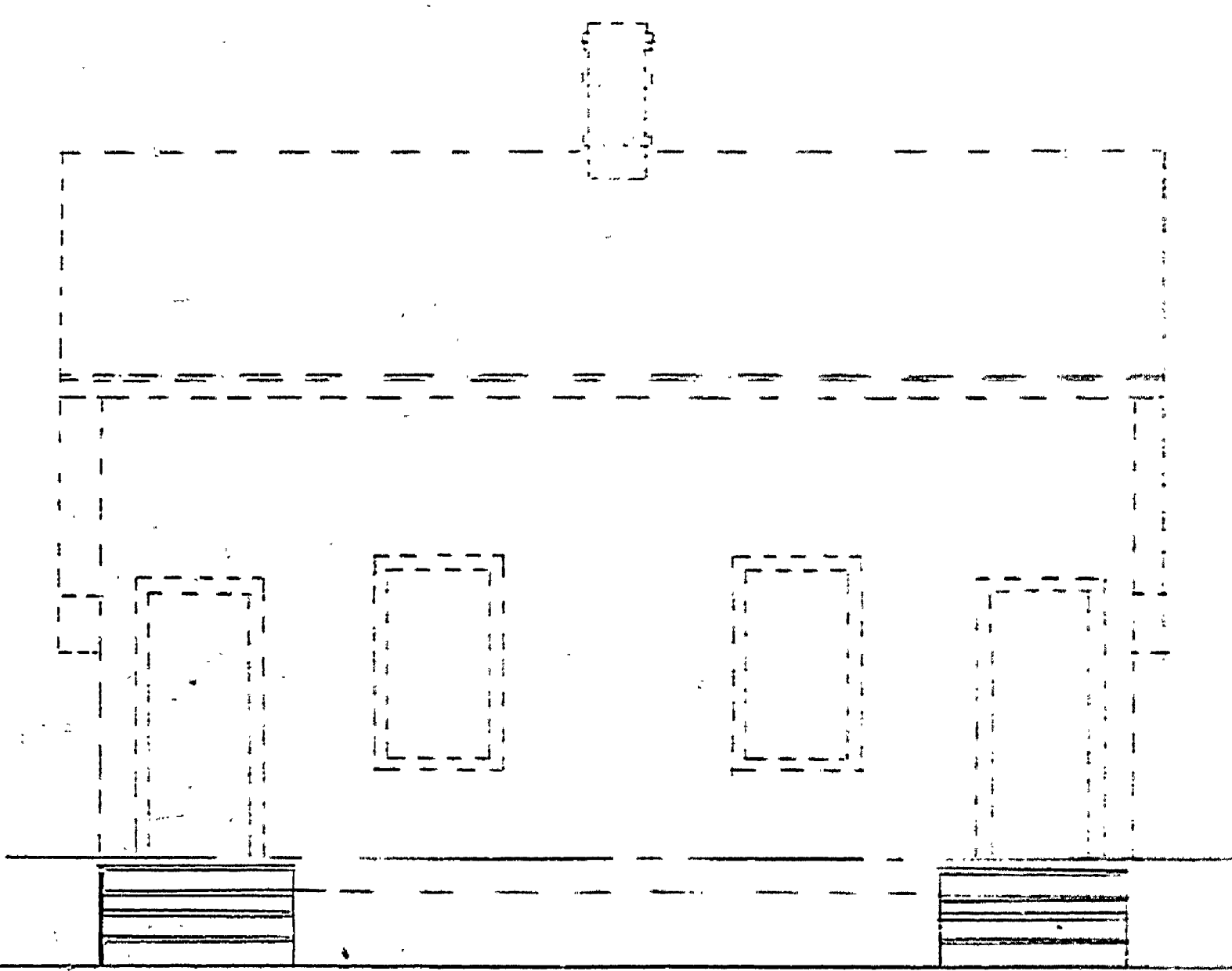
SOUTH ELEVATION



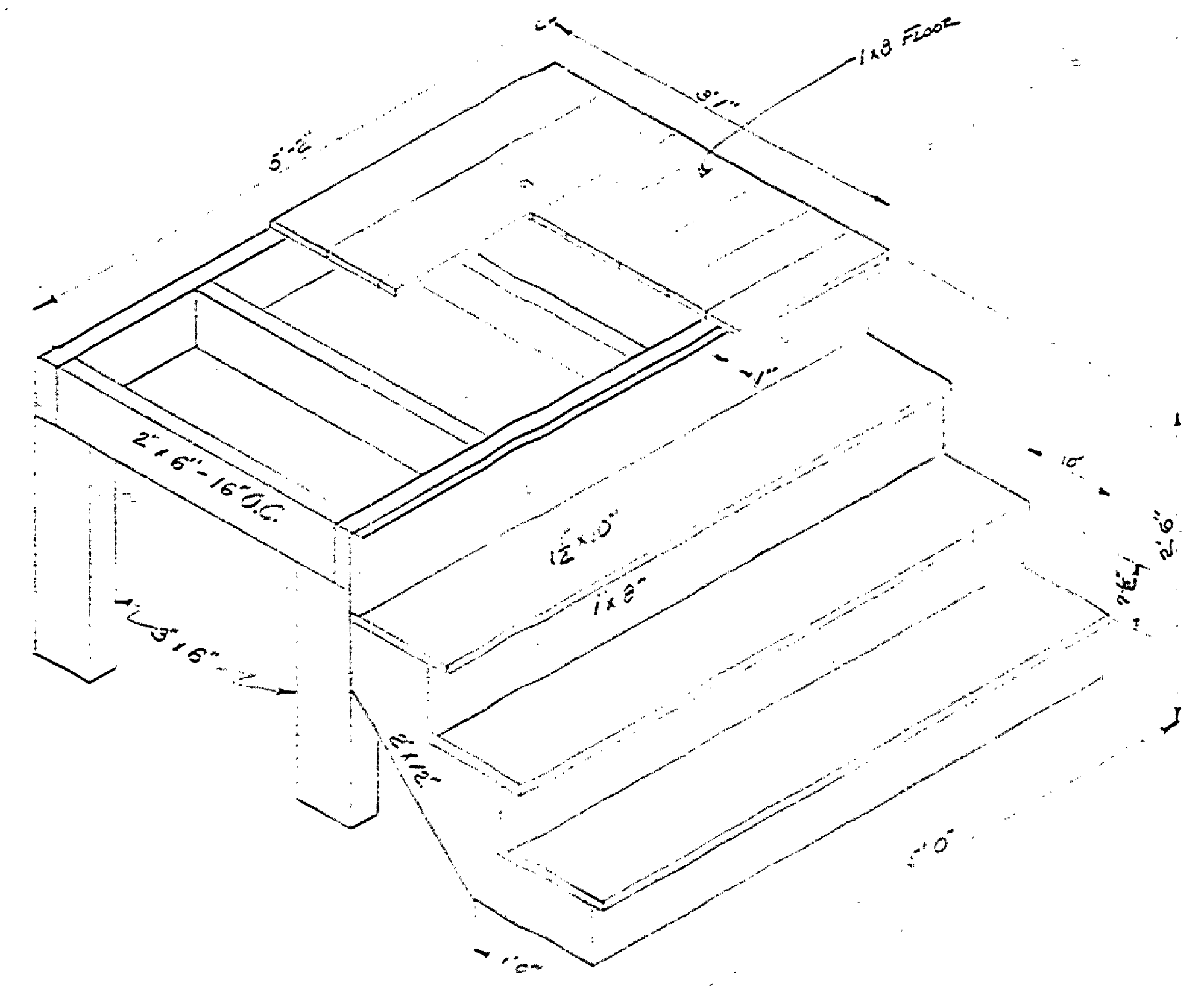
EAST ELEVATION



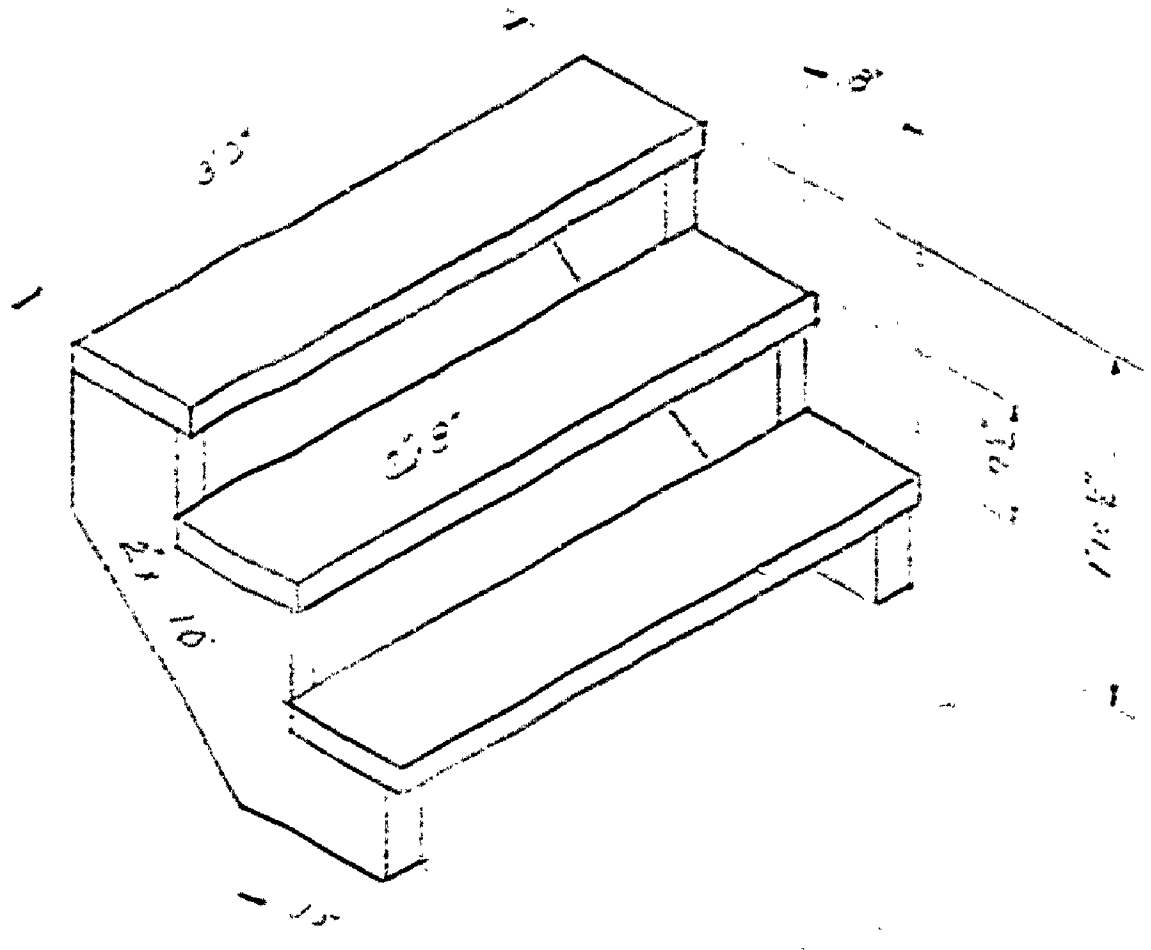
NORTH ELEVATION



WEST ELEVATION



PICTORIAL DETAIL OF STOOP ON FEET
SIDE VIEW - A 220D
SCALE 1" = 1'0"



DETAIL OF SIDE STEP
NOTE: THESE STEPS ATTACH TO FOOTSTOOP IDENTICAL TO FOOTSTOOP

MICHIGAN
DEPARTMENT OF CONSERVATION
PARKS AND RECREATION DIVISION

RESTORATION DRAWINGS
FAYETTE HISTORICAL TOWNSITE
FAYETTE STATE PARK

SHEET
NO. 2
OF 3

PLAN NO.
30831