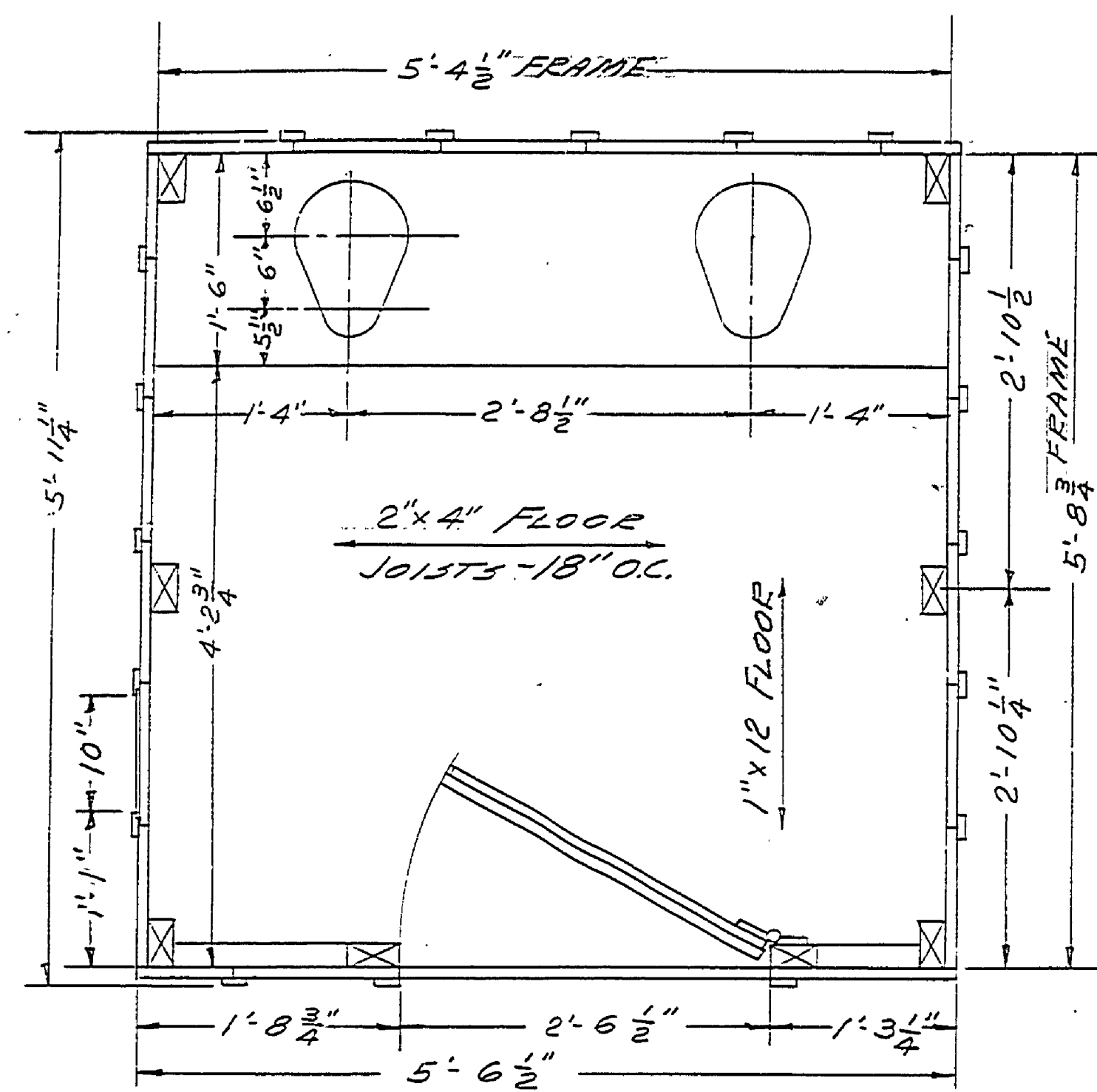
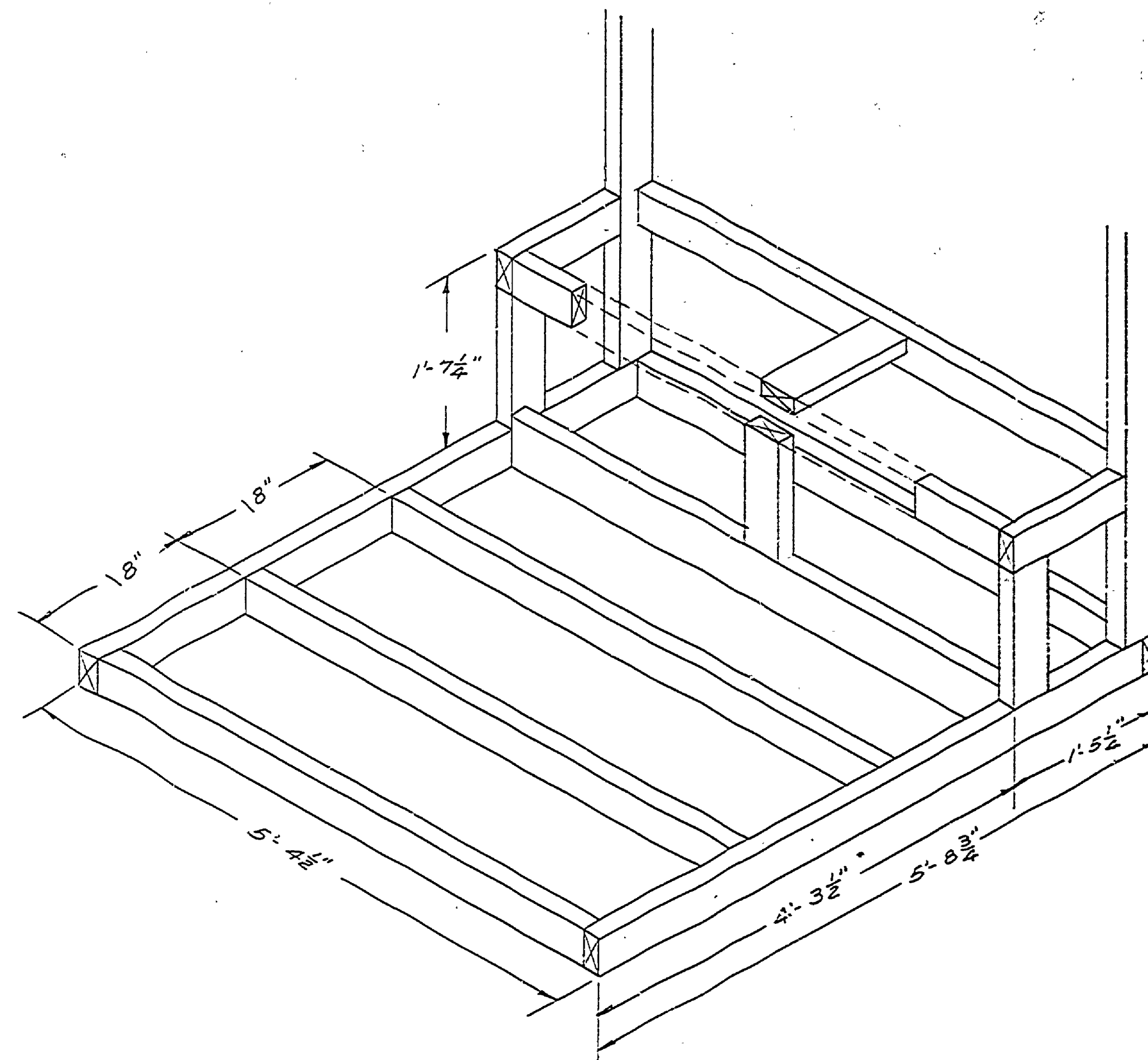


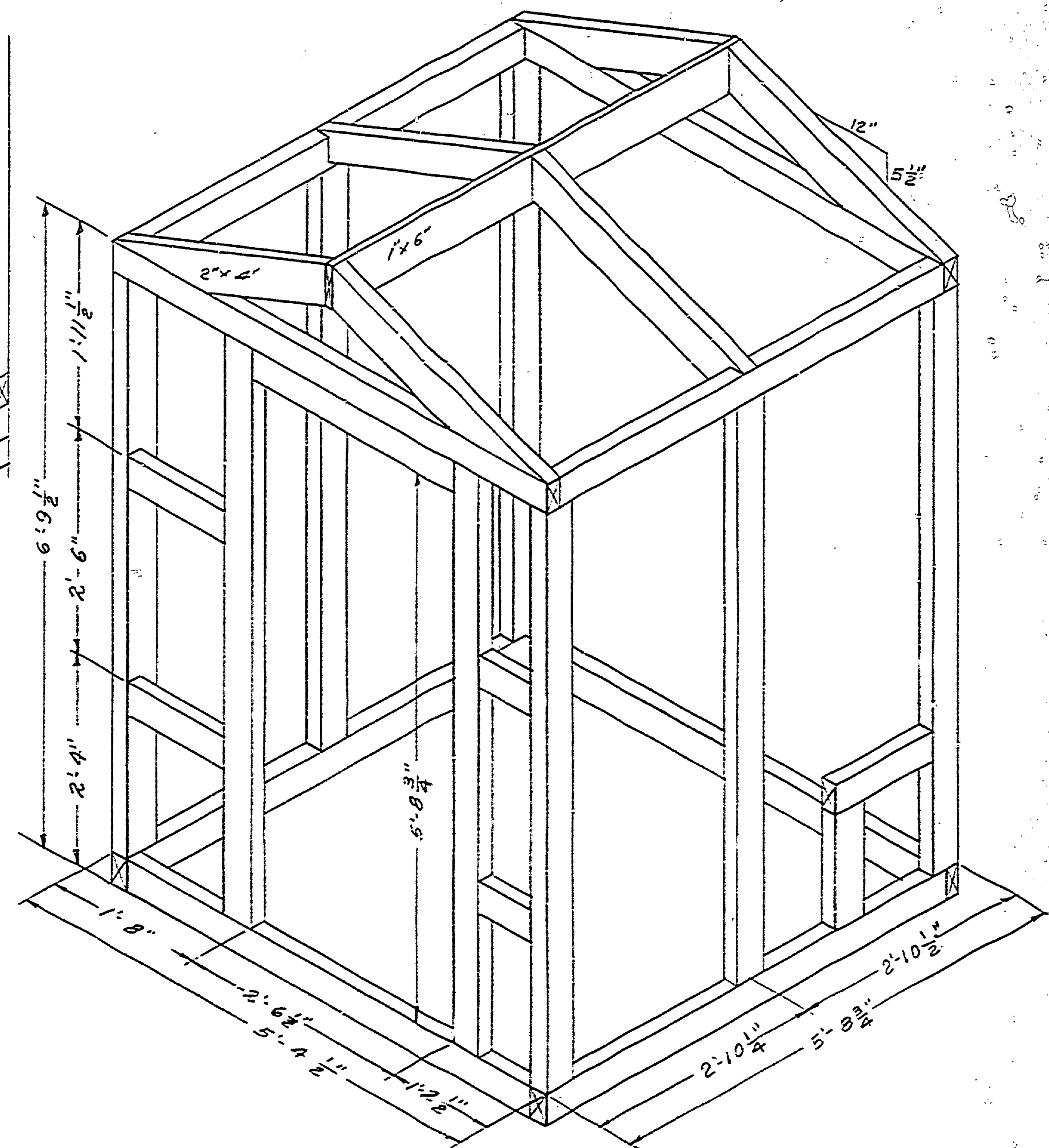
DESIGNED BY	DATE	REVIEWED	DATE	APPROVED	DATE	NO.	DATE	BY	REVISIONS	DATE	BY
DRAWN BY <i>W. Bradley</i> CHECKED BY	2-22-62	ARCHITECTURAL			1				4		
		ENGINEERING			2			5			
		LANDSCAPE			3			6			



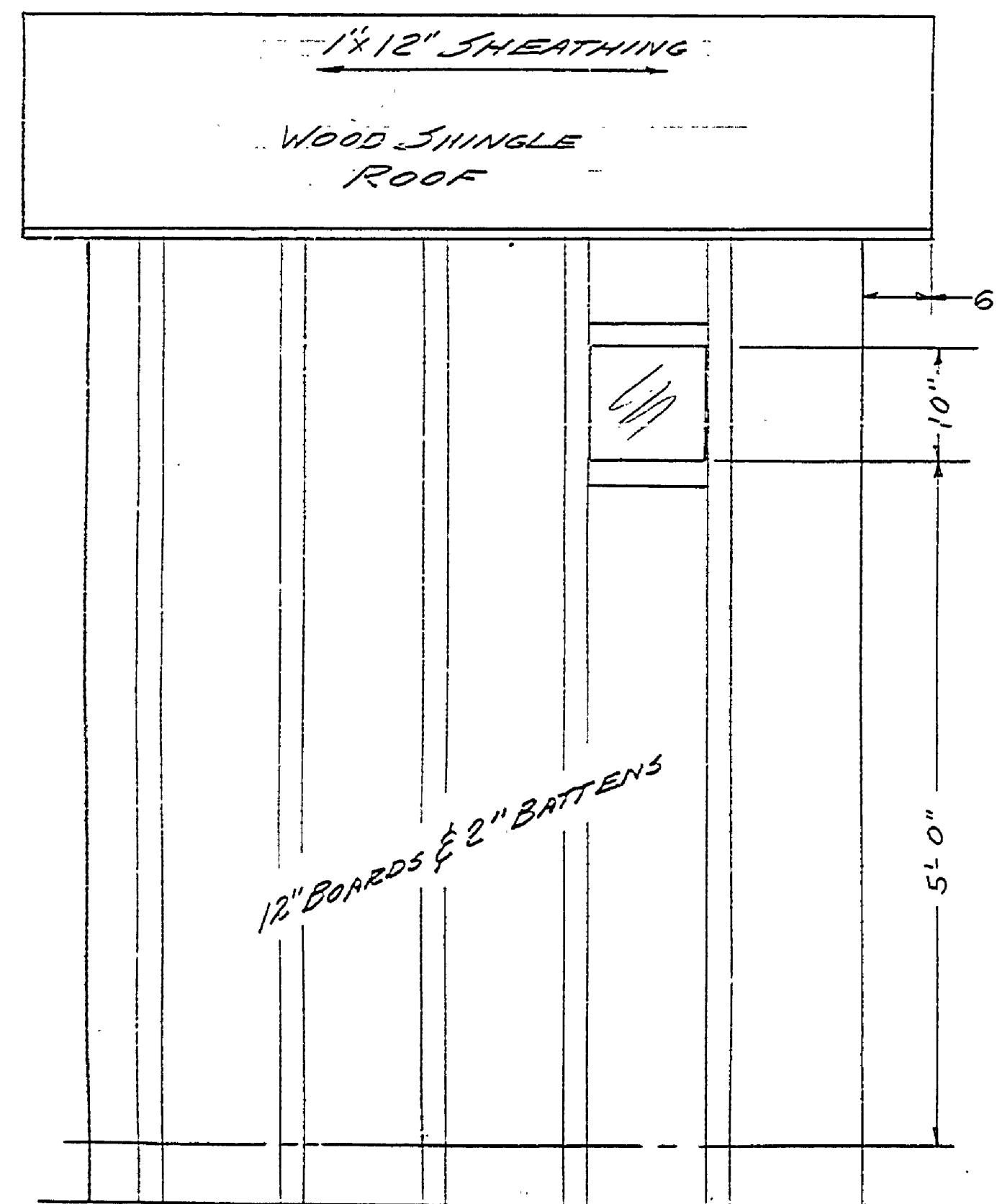
FLOOR PLAN



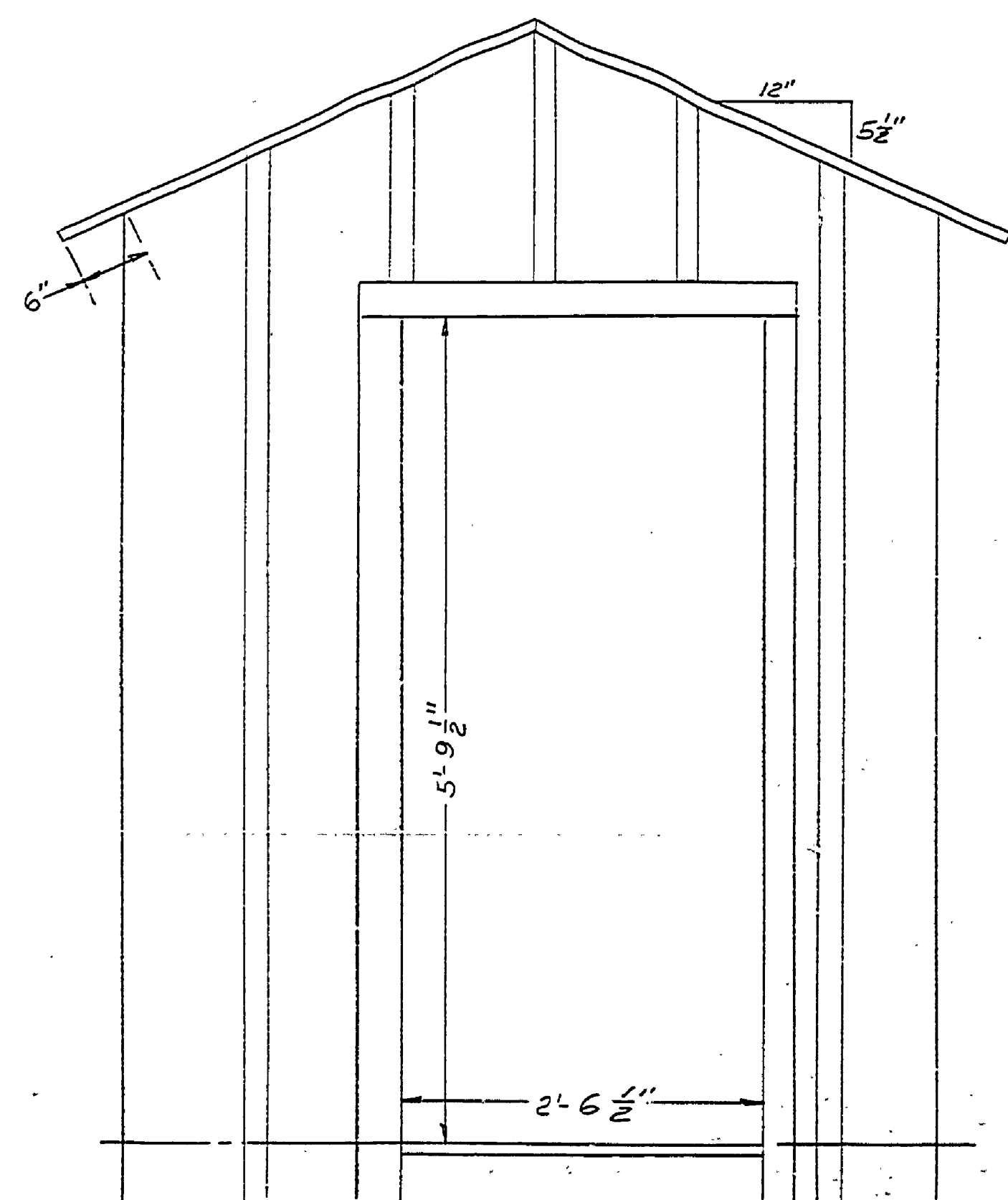
PICTORIAL OF SEAT SUPPORT & FLOOR JOISTS



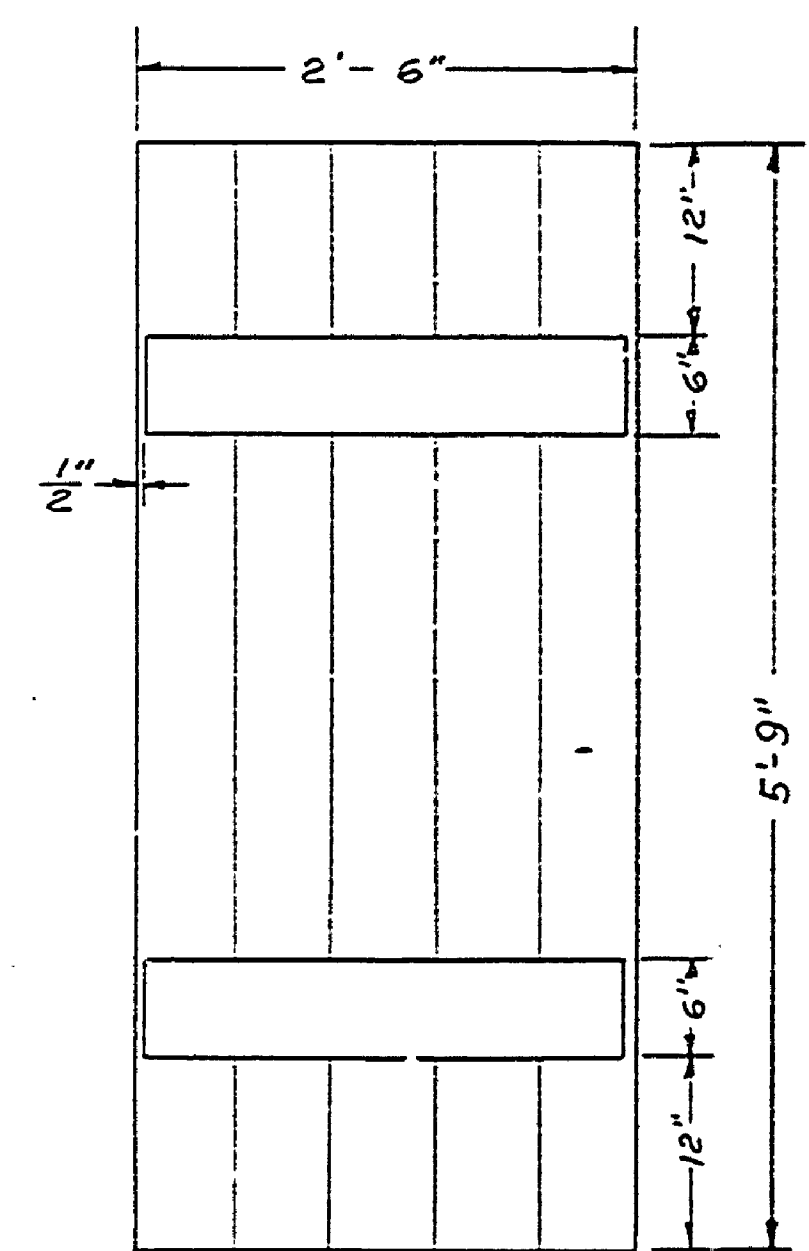
PICTORIAL OF FRAME OF DOOR OPENING



LEFT ELEVATION



FRONT ELEVATION



DOOR DETAIL

NOTE
TYPICAL OUTHOUSE.
MATERIAL - 2x4" FRAME UNLESS NOTED

SCALE 1"=1'-0"

SPECIAL NOTE:
THESE OUT HOUSES NO LONGER EXIST. EXTERIOR DETAILS WERE TAKEN FROM 1907 PHOTOGRAPHS TO MAKE THEM AS AUTHENTIC AS POSSIBLE. DIMENSIONS AND INTERIOR WERE SIZED

TYPICAL PIT TOILET

MICHIGAN DEPARTMENT OF CONSERVATION PARKS AND RECREATION DIVISION

CONCEPTUAL DRAWING
FAYETTE HISTORICAL TOWNSITE
FAYETTE STATE PARK

SHEET NO. 1 OF 1

PLAN NO. A-99