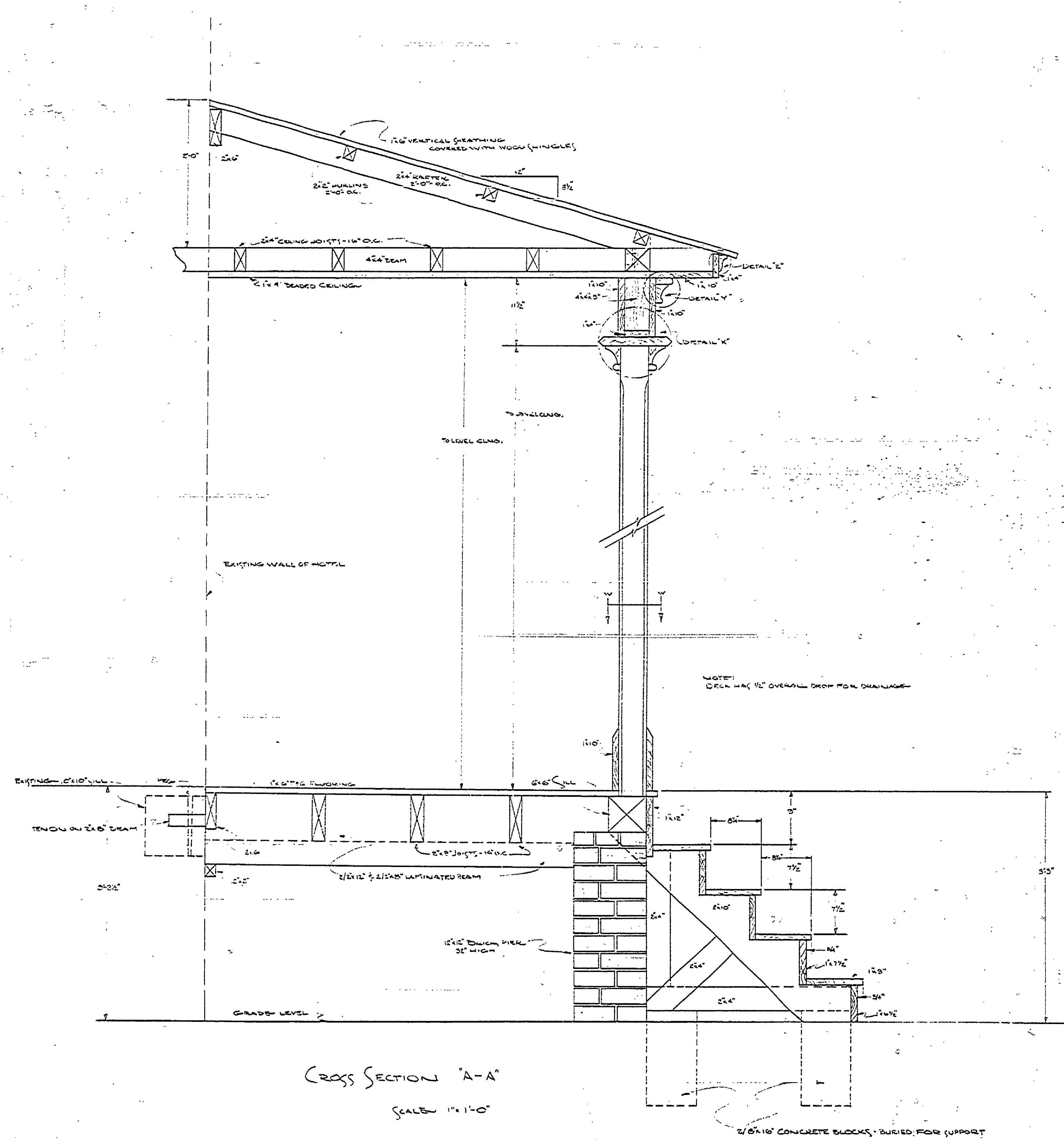
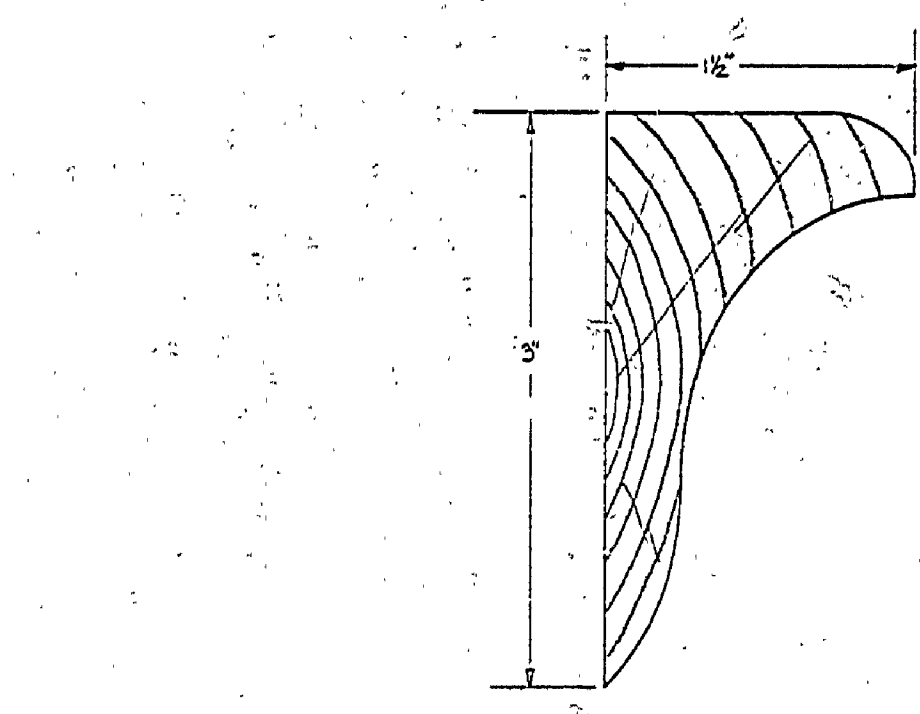


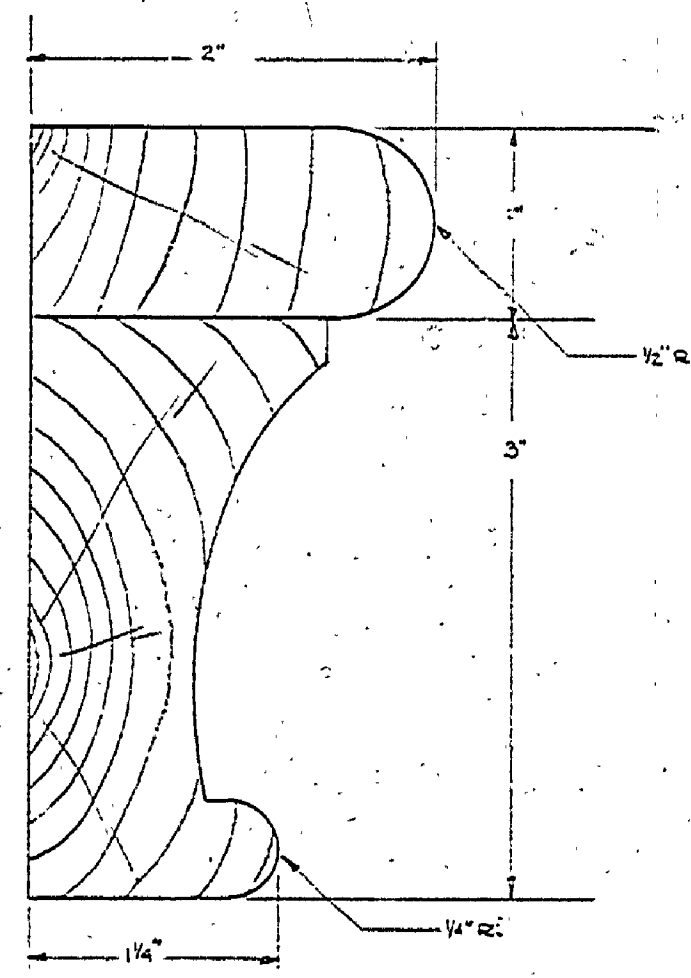
DATE	REVIEWED	DATE	APPROVED	DATE	NO.	DATE	BY	REVISIONS	DATE	BY
6/12/62	ARCHITECTURAL				1			4		
6/12/62	ENGINEERING				2			5		
	LANDSCAPE				3			6		



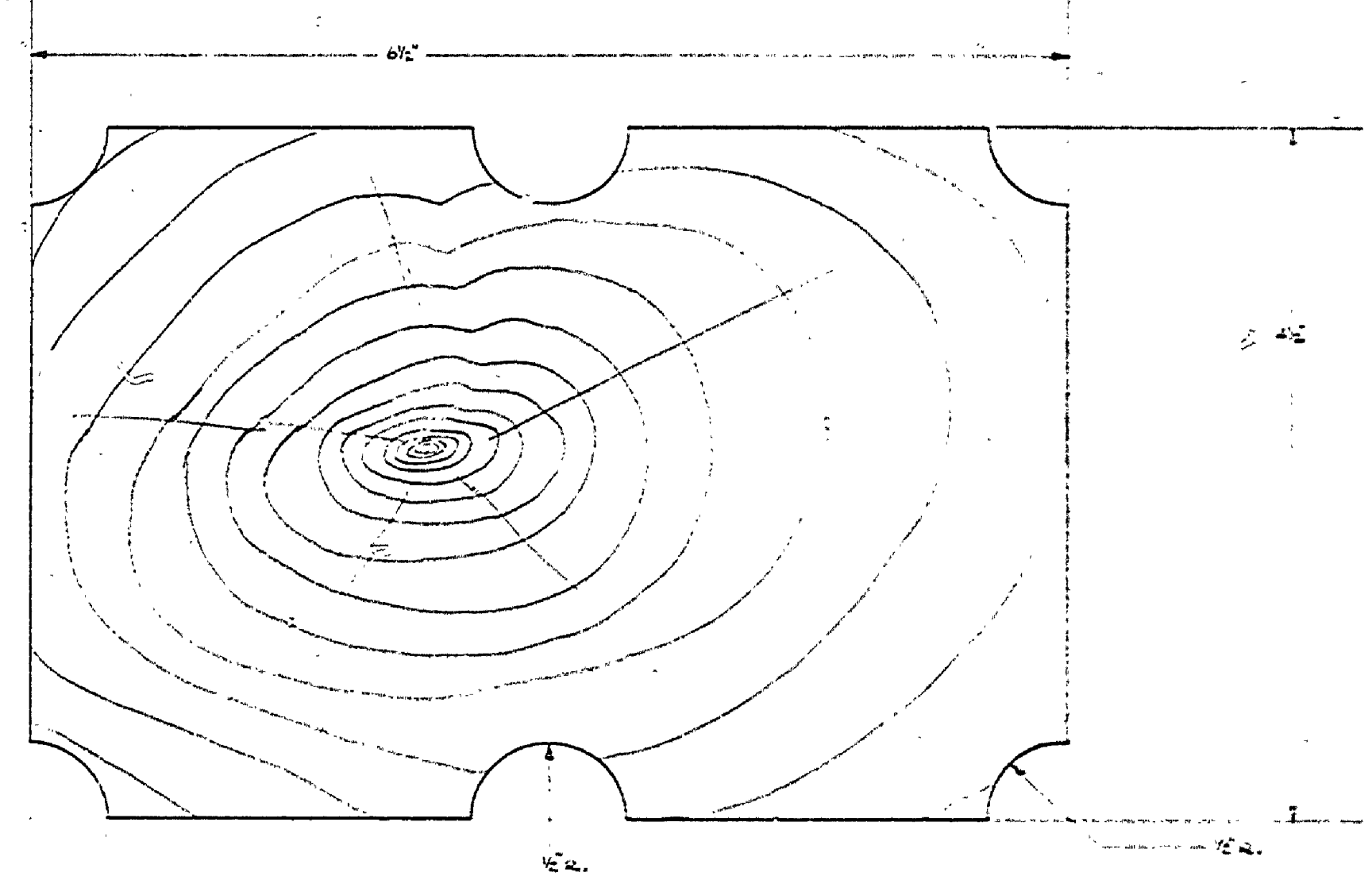
CROSS SECTION "A-A"
SCALE 1/2" = 1'-0"



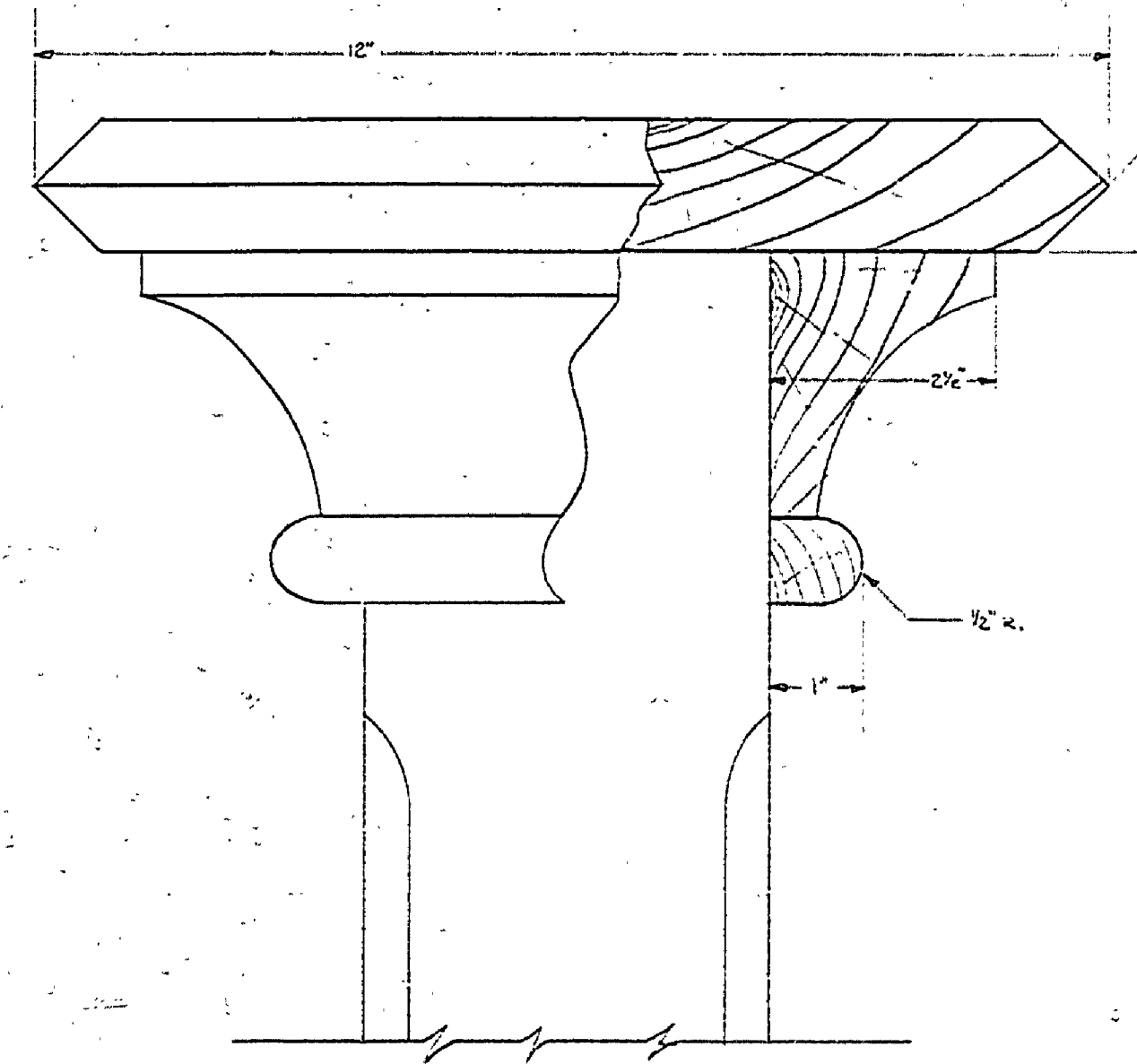
DETAIL "Z"
TRIM MOLDING
SCALE - FULL



DETAIL "Y"
TRIM MOLDING
SCALE - FULL



CROSS SECTION "W-W"
SUPPORTING COLUMN
SCALE - FULL



DETAIL "X"
SUPPORTING COLUMN CAP AND TRIM MOLDING
SCALE 1/2 SIZE

MICHIGAN
DEPARTMENT OF CONSERVATION
PARKS AND RECREATION DIVISION

BUILDING # 100 - HOTEL DEUCE
RESTORATION DRAWING
FAYETTE HISTORICAL TOWNSITE
FAYETTE STATE PARK

SHEET
NO. 3
OF 3

PLAN NO.
A-100 2