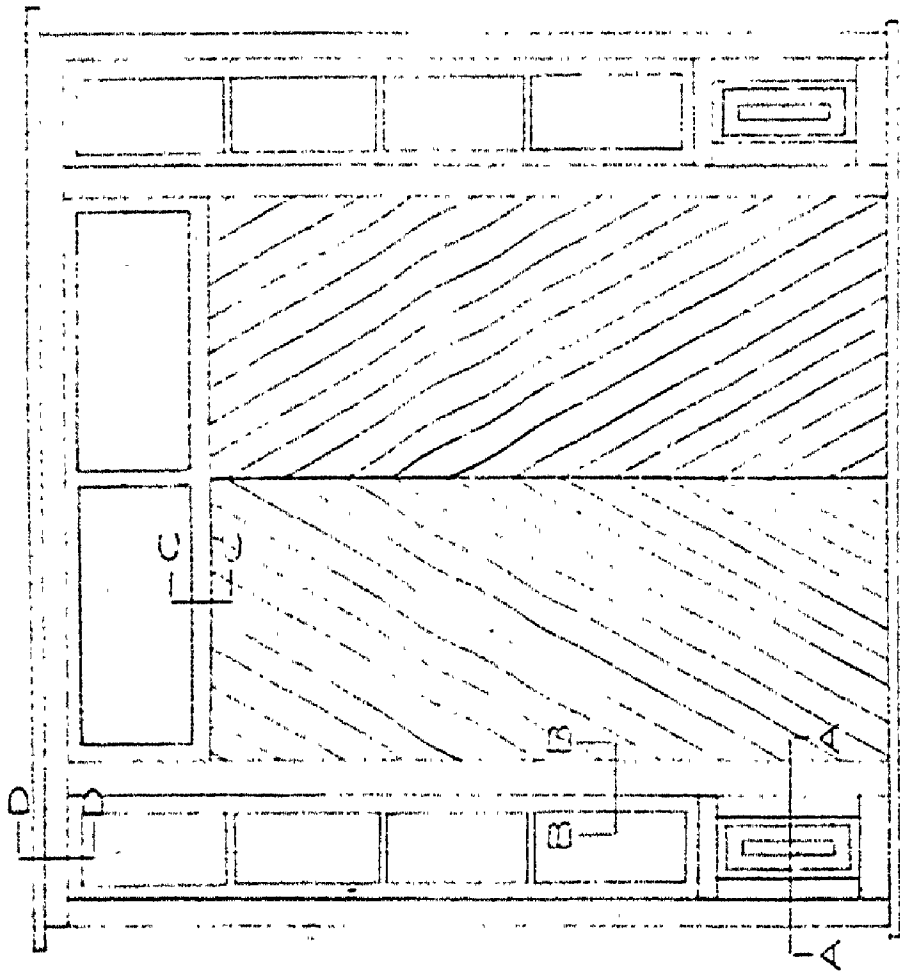
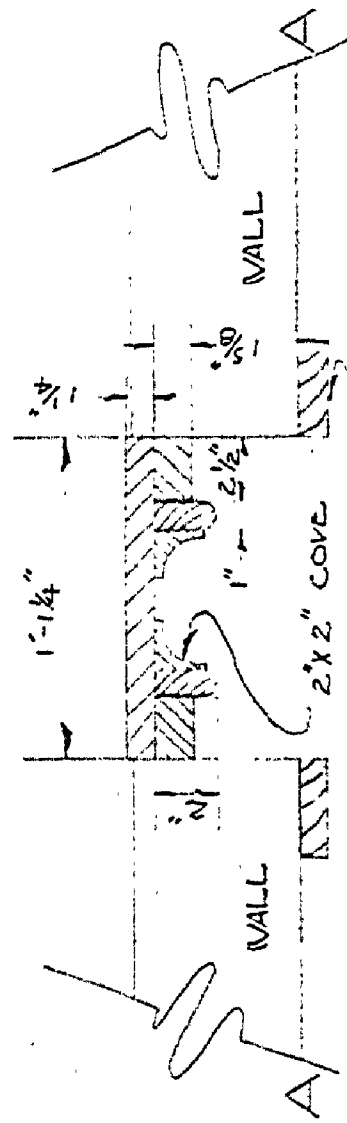


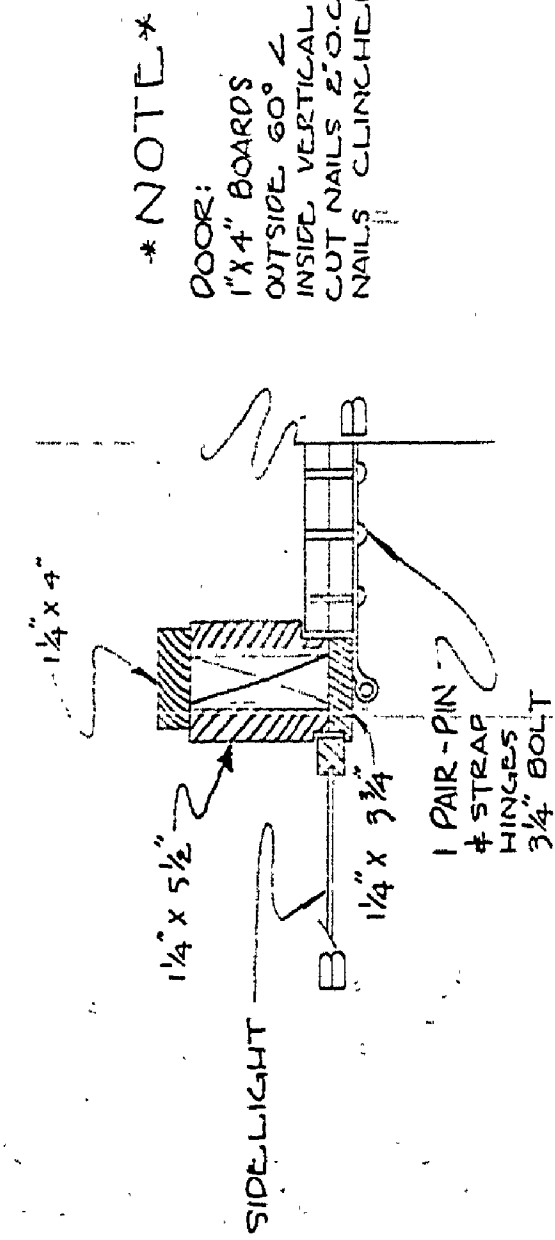
DESIGNED BY	DATE	REVIEWED	DATE	APPROVED	DATE	NO.	DATE	BY	REVISIONS	DATE	BY
ARCHITECTURAL	4-12-41	(Signature)	4-12-41	(Signature)	1				4		
ENGINEERING	4-21-41	(Signature)	4-21-41	(Signature)	2				5		
LANDSCAPE	4-21-41	(Signature)	4-21-41	(Signature)	3				6		
CHECKED BY W.H.G.	4-12-41										



DOOR NO. 109
ELEVATION
SCALE 1/2" = 1'

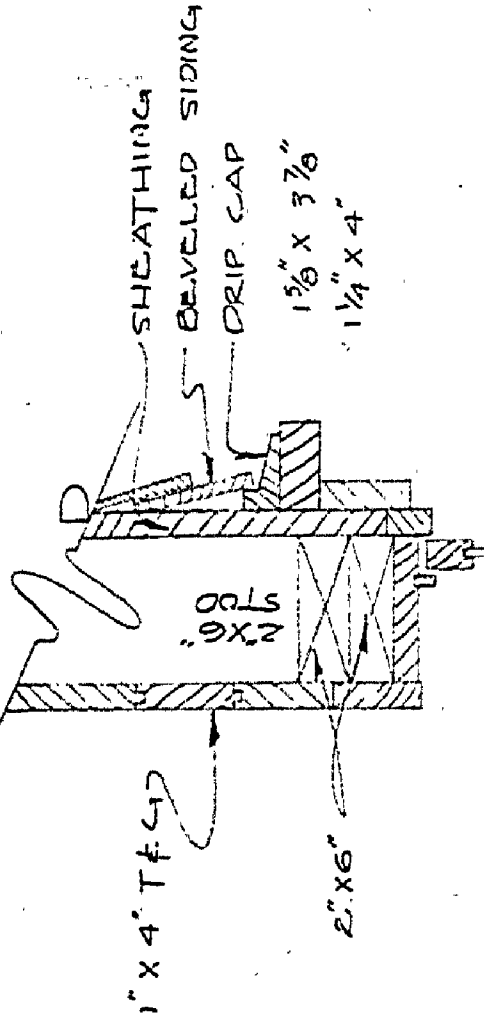


DETAIL A-A
SCALE 1/2" = 1'

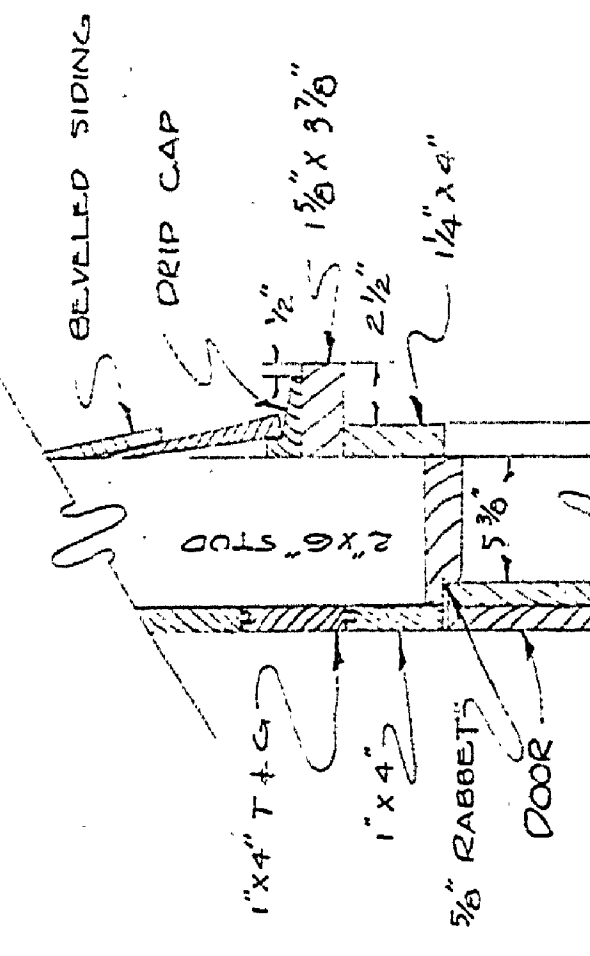


DETAIL B-B
SCALE 1/2" = 1'

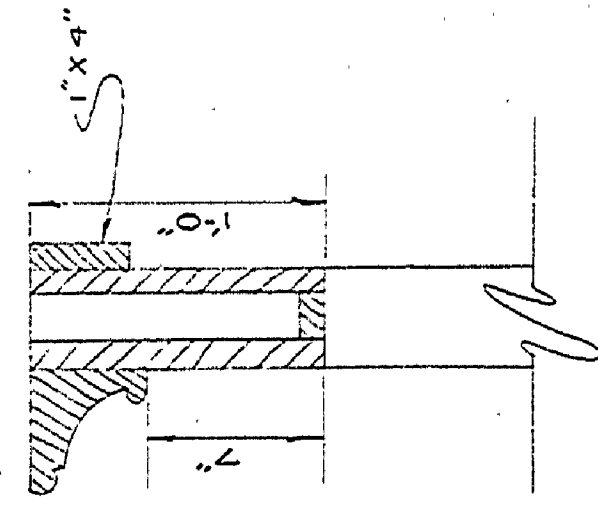
NOTE
DOOR
1" x 4" BOARDS
SPACED VERTICALLY
NAILS VERTICAL
CUT NAILS 2" O.C. BOTH WAYS
NAILS CLINCHED INSIDE



DETAIL D-D
SCALE 1/2" = 1'

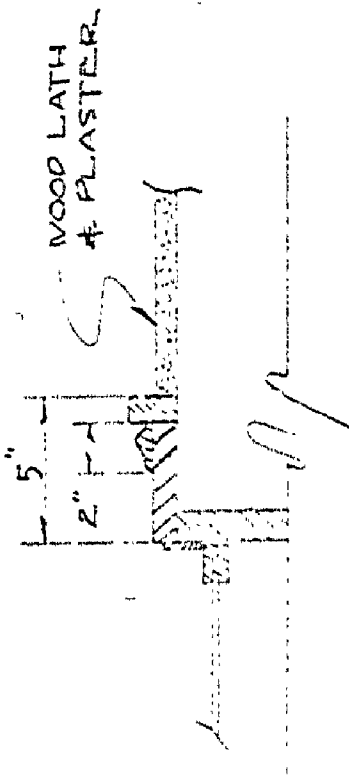


DOOR HEADS
(JAMB SAME LESS
DRIP HEAD CAP)
SCALE 1/2" = 1'

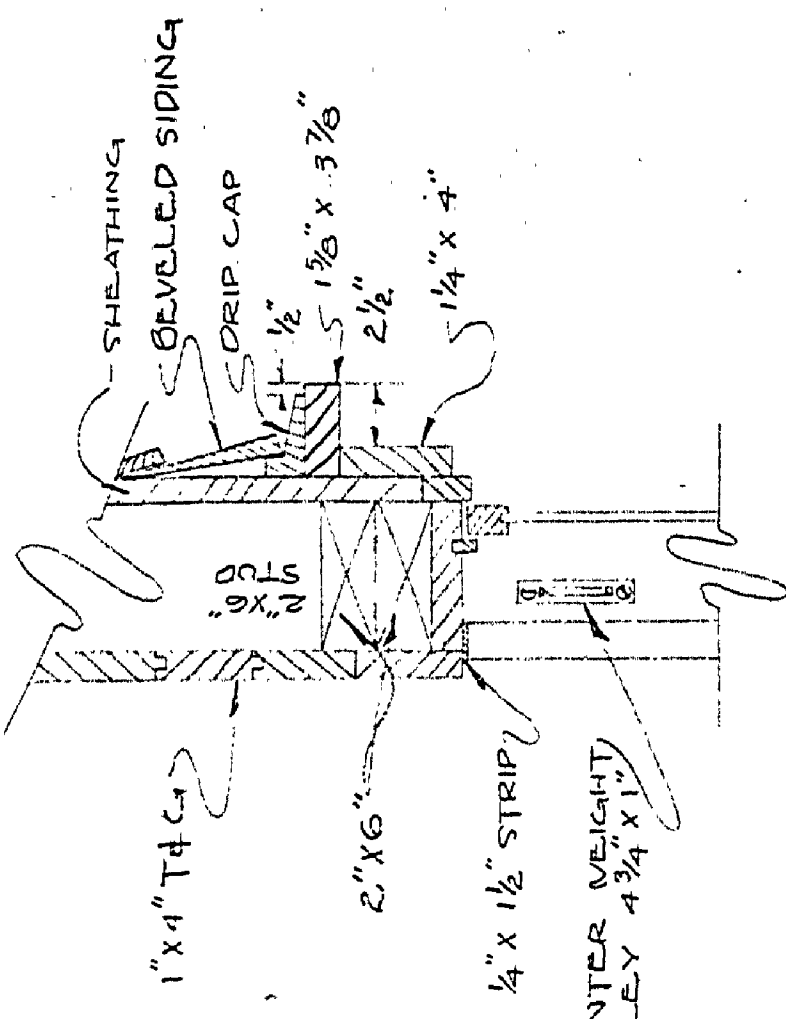


HEAD OF STAGE
ROOM 201
SCALE 1/2" = 1'

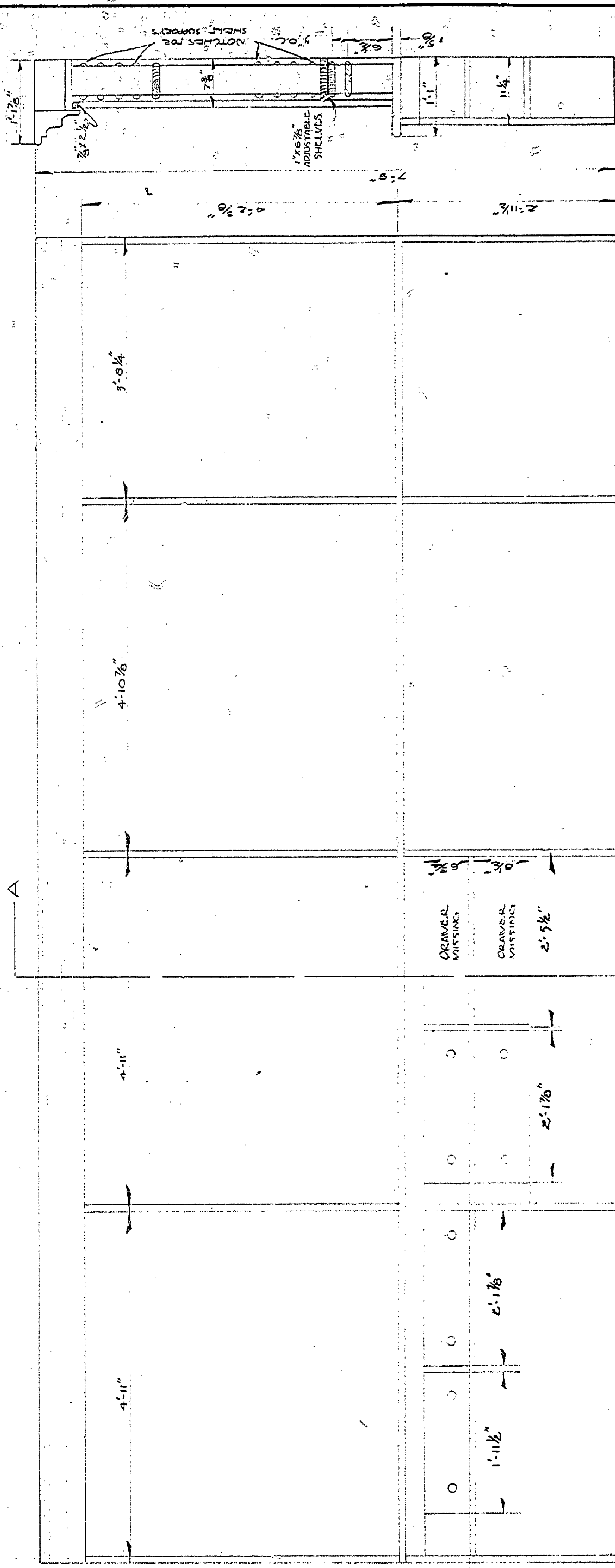
NOTE
DETAIL SPECIFICATIONS
C-C NOT AVAILABLE



WINDOW TRIM (IN SIDE)
ROOM 201
SCALE 1/2" = 1'

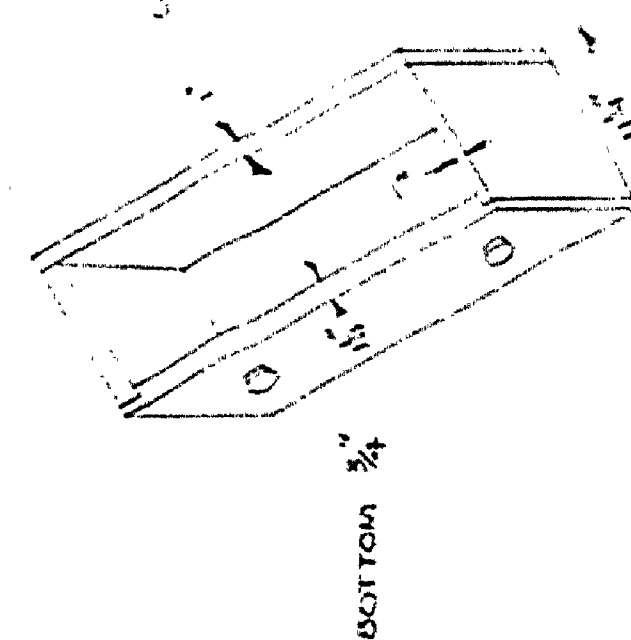


WINDOW HEAD
SCALE 1/2" = 1'

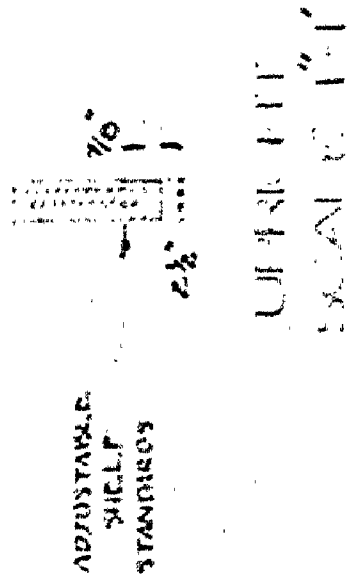


CUPBOARD ROOM 101
SCALE 1/2" = 1'

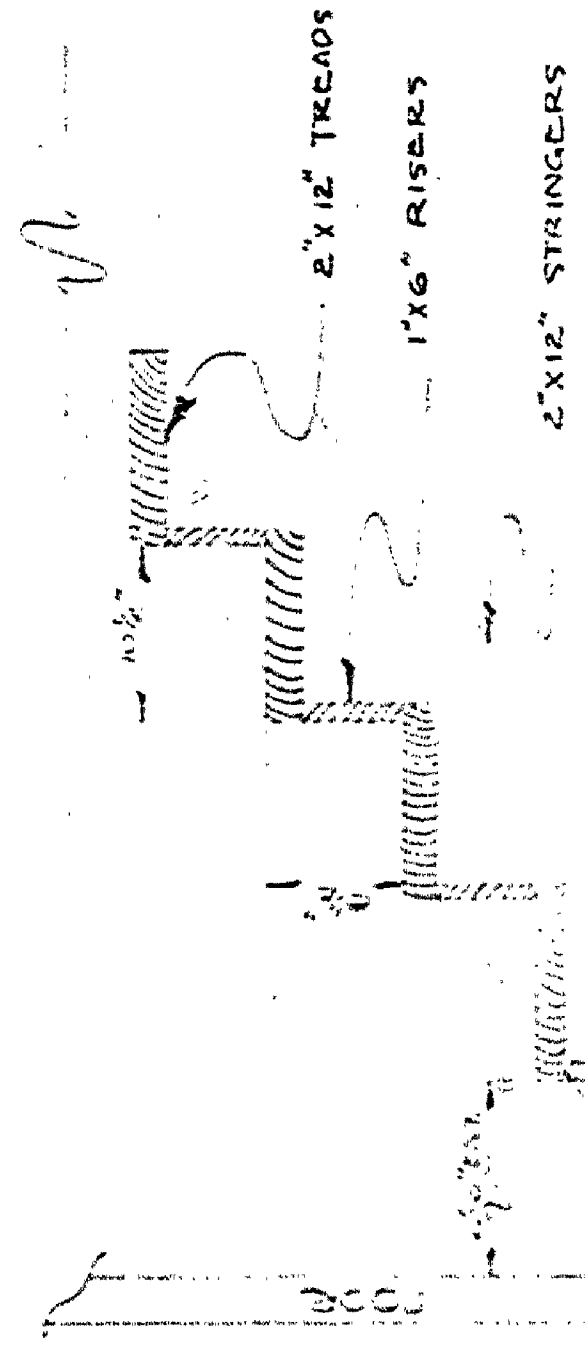
SECTION AA
SCALE 1/2" = 1'



DRAWER
SCALE 1/2" = 1'



ADJUSTABLE
SHELF
STAIRCASES
SCALE 1/2" = 1'



CUPBOARD SCALE 1/2" = 1'