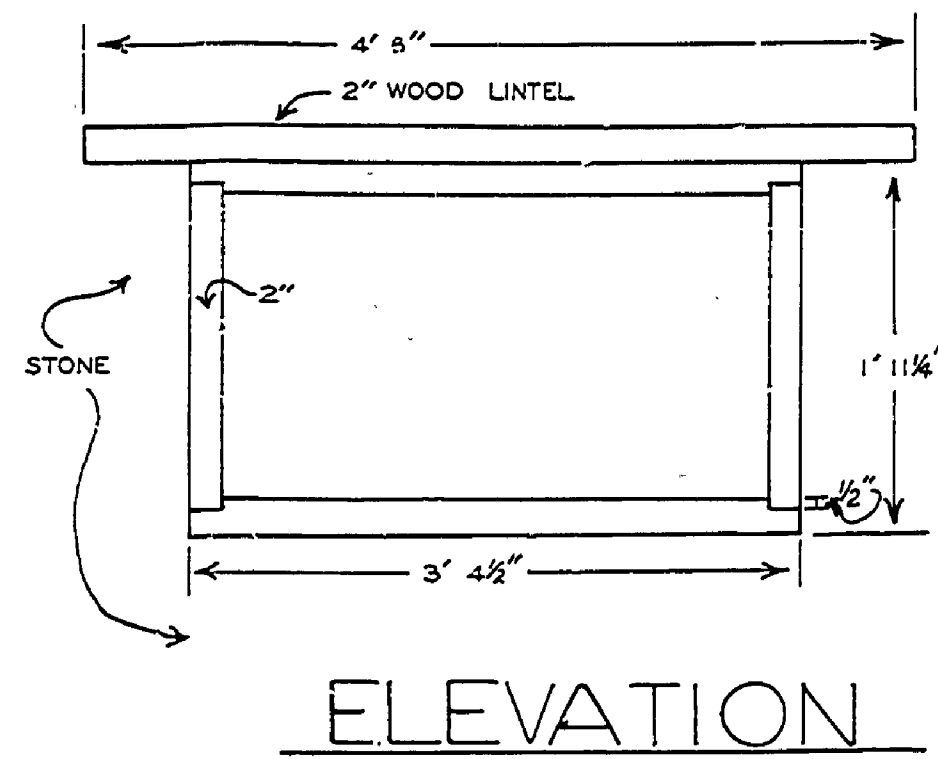
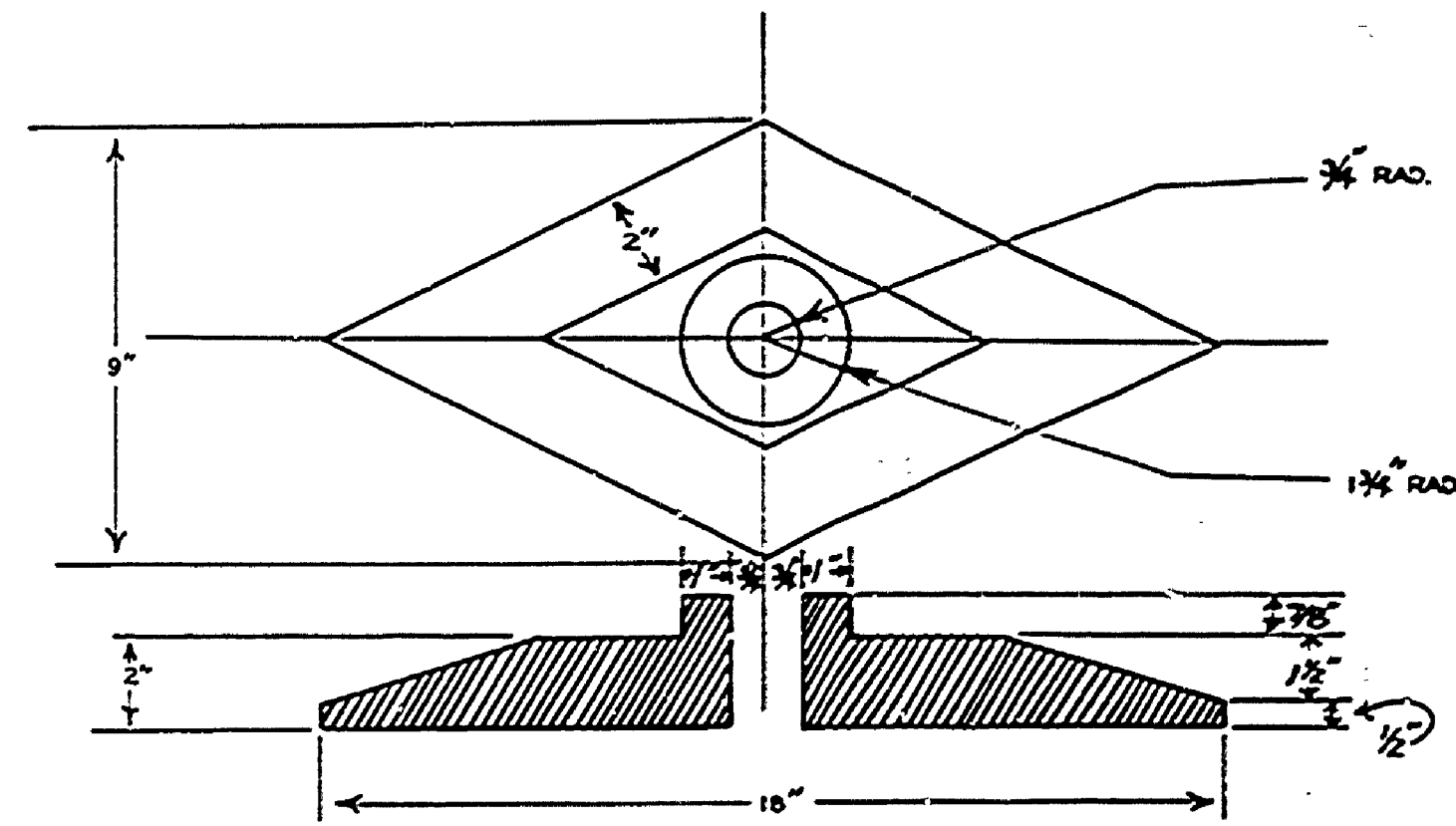


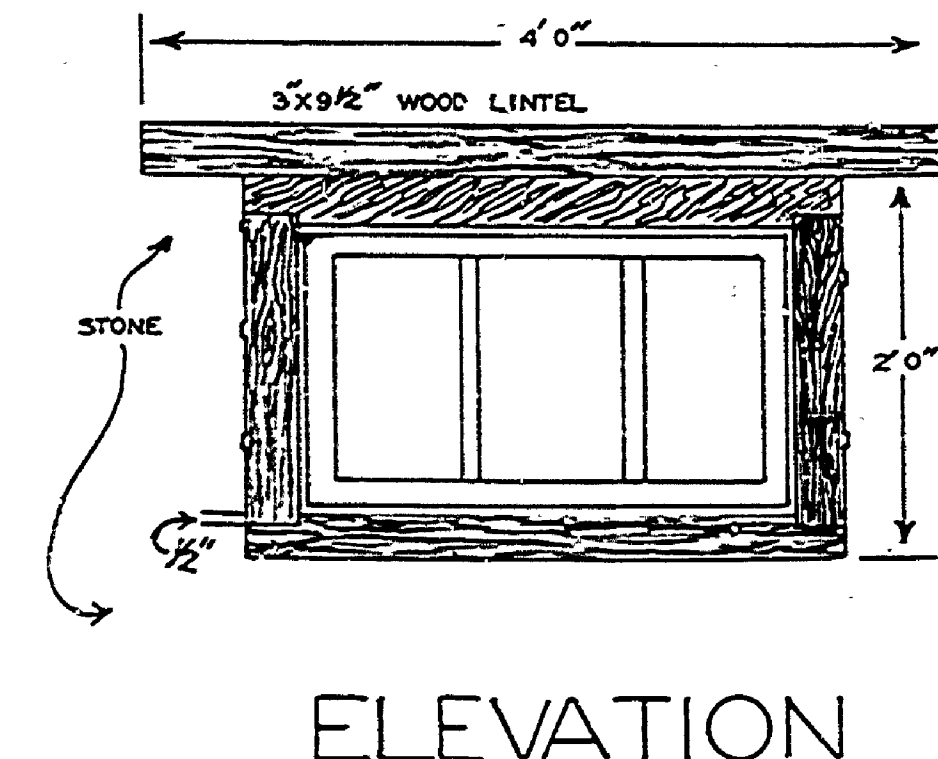
DESIGNED BY	DATE	REVIEWED	DATE	APPROVED	DATE	NO.	DATE	BY	REVISIONS	DATE	BY
DRAWN BY <i>A. Johnson</i>	5-6-65	ARCHITECTURAL				1			4		
CHECKED BY		ENGINEERING				2			5		
		LANDSCAPE				3			6		



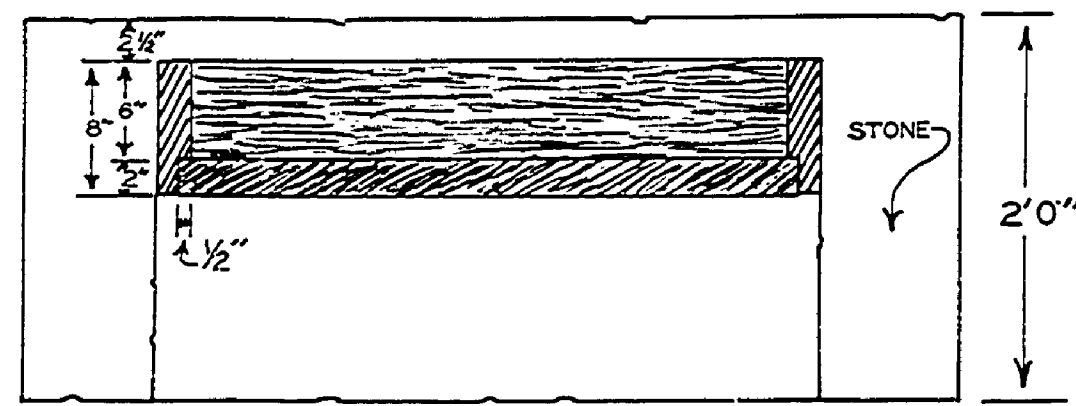
ELEVATION



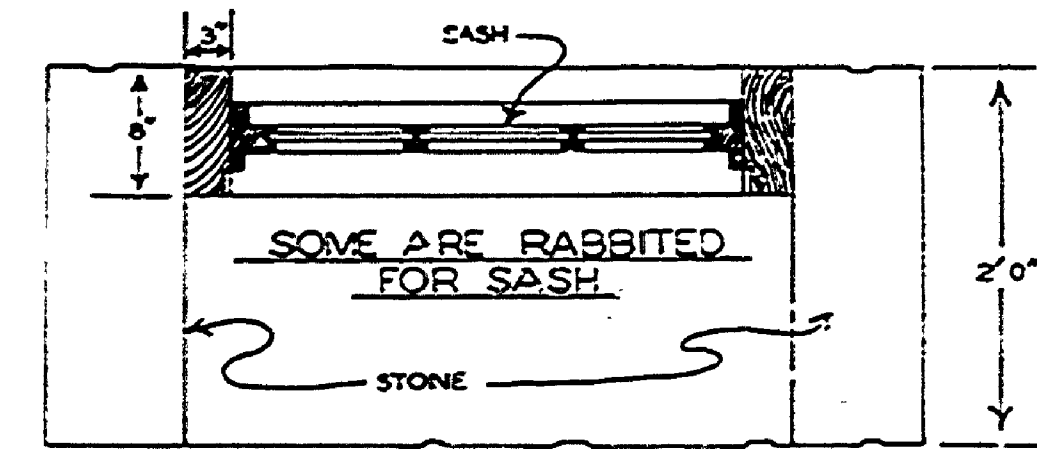
CAST IRON TIE BAR ANCHOR PLATE
USED THROUGHOUT FACTORY



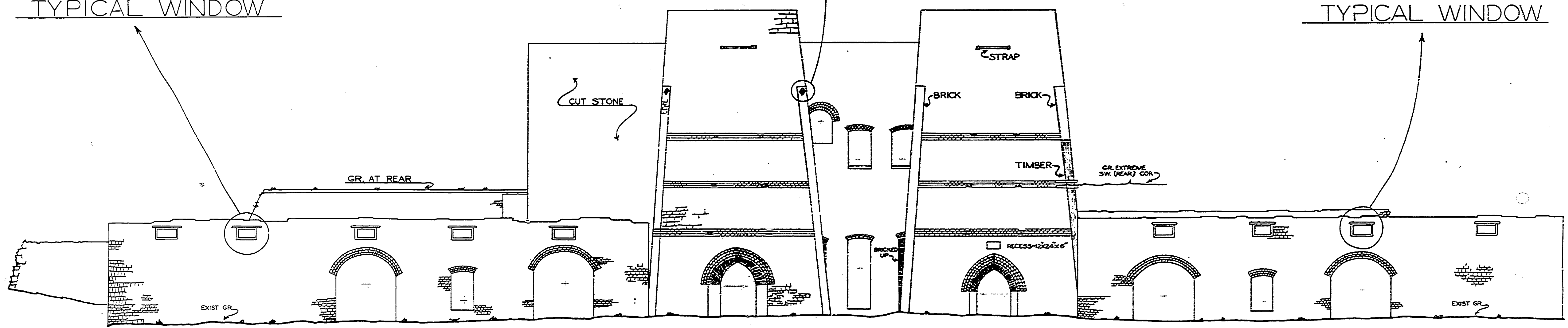
ELEVATION



PLAN
SCALE 1"=1'0"
TYPICAL WINDOW



PLAN
SCALE 1"=1'0"
TYPICAL WINDOW



NORTH ELEVATION
SCALE 1/8"=1'0"

- FAYETTE HISTORIC TOWNSITE BLDG #114

SCALE 1/8"=1'0" UNLESS OTHERWISE SPECIFIED

MICHIGAN
DEPARTMENT OF CONSERVATION
PARKS AND RECREATION DIVISION

MEASURED DRAWING
FAYETTE HISTORICAL TOWNSITE
FAYETTE STATE PARK

SHEET
NO. 2
OF 5

PLAN NO.
A-114