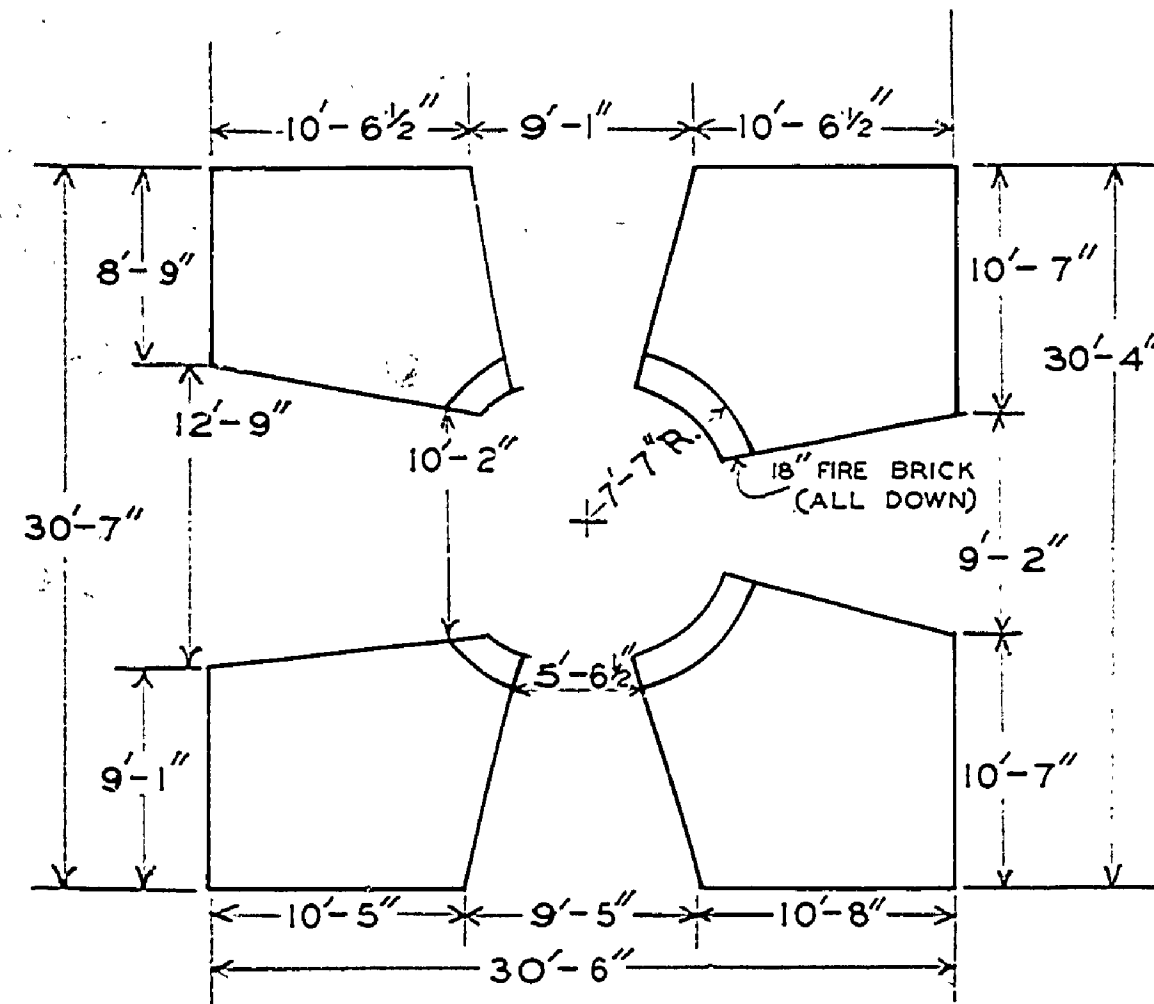
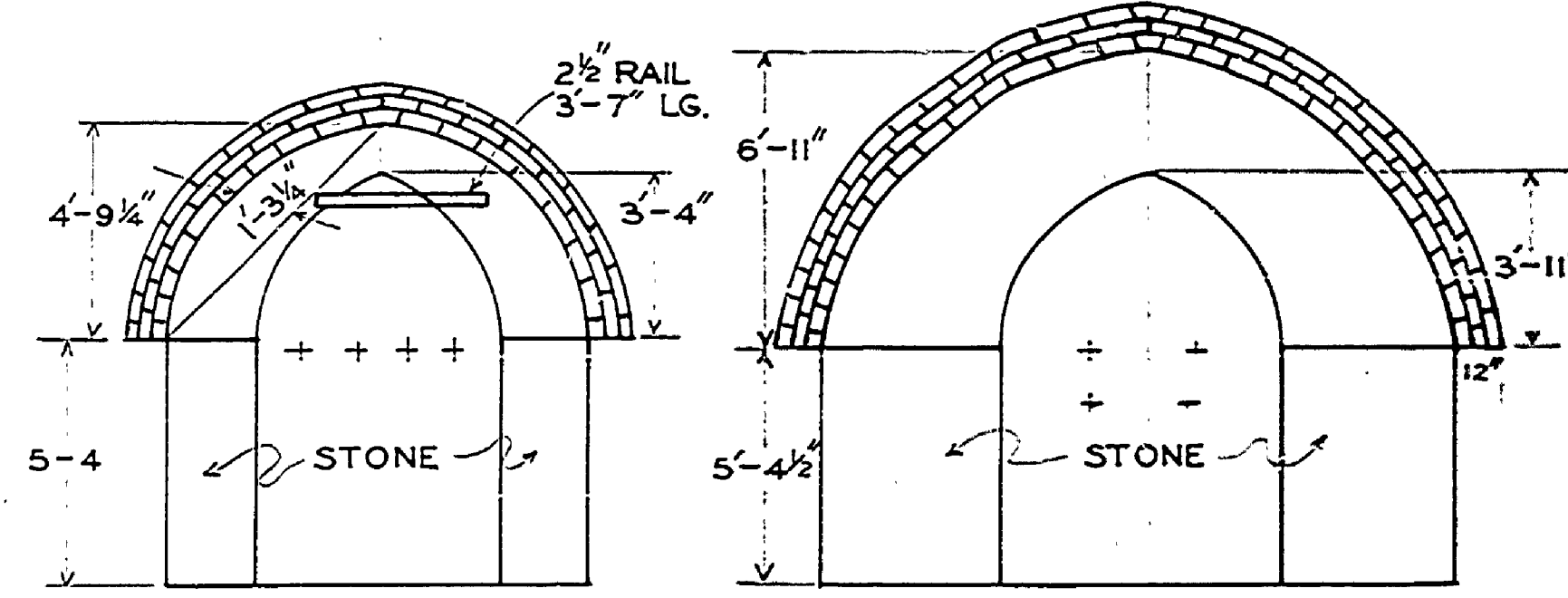


DESIGNED BY G. H. CRAY	DATE	5-12-05
	CHECKED BY	
	DRAWN BY	
ARCHITECTURAL ENGINEERING LANDSCAPE	REVIEWED	
	DATE	
	APPROVED	
DATE		
NO.	1	2
NO.	3	
DATE		
BY		
REVISIONS	4	5
	6	
DATE		
BY		



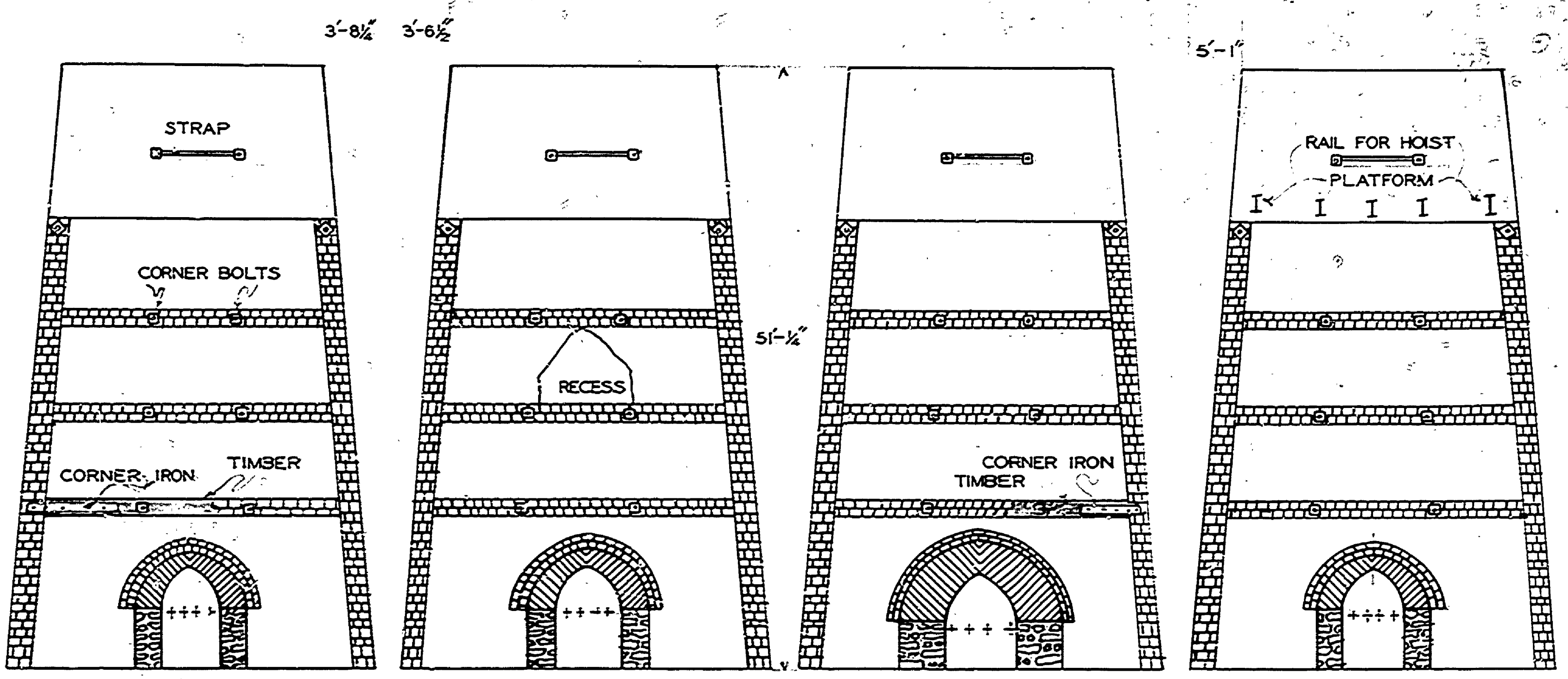
GROUND PLAN



N. PORT S-W SIMILAR

EAST PORT

SCALE 1/4" = 1'-0"



NORTH

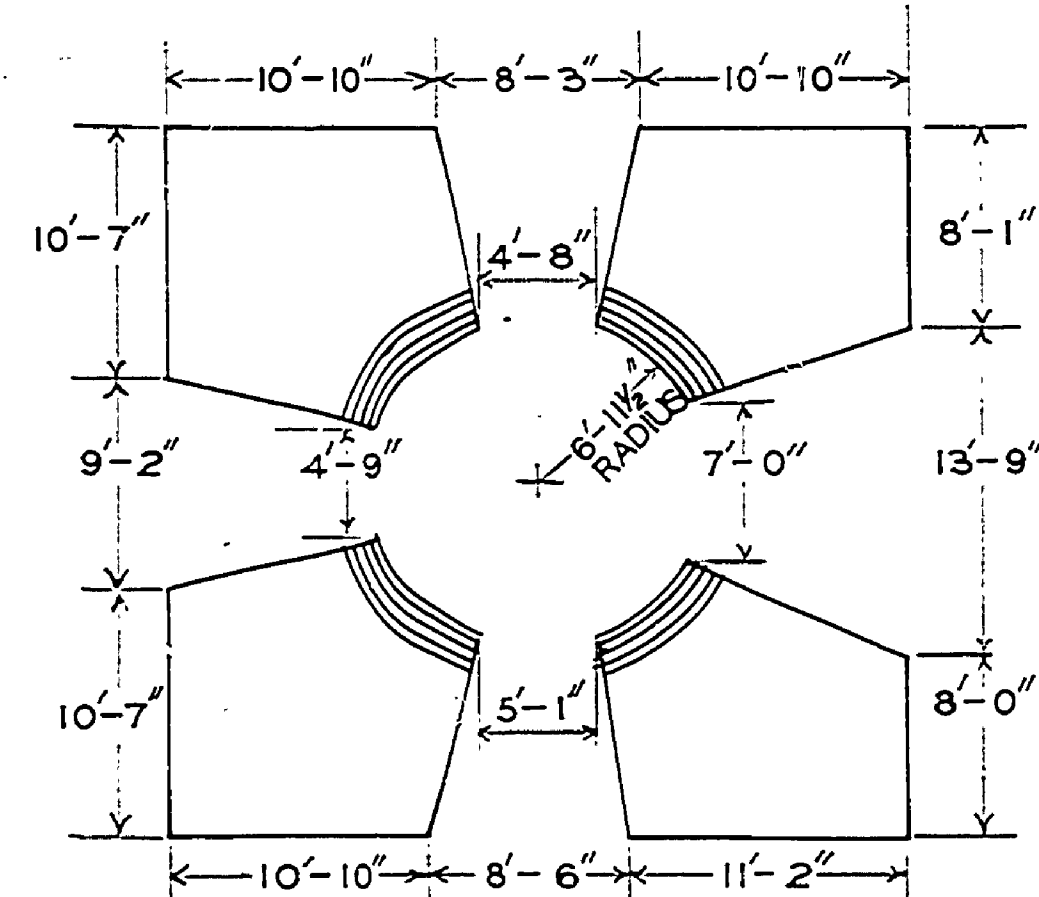
SOUTH

EAST

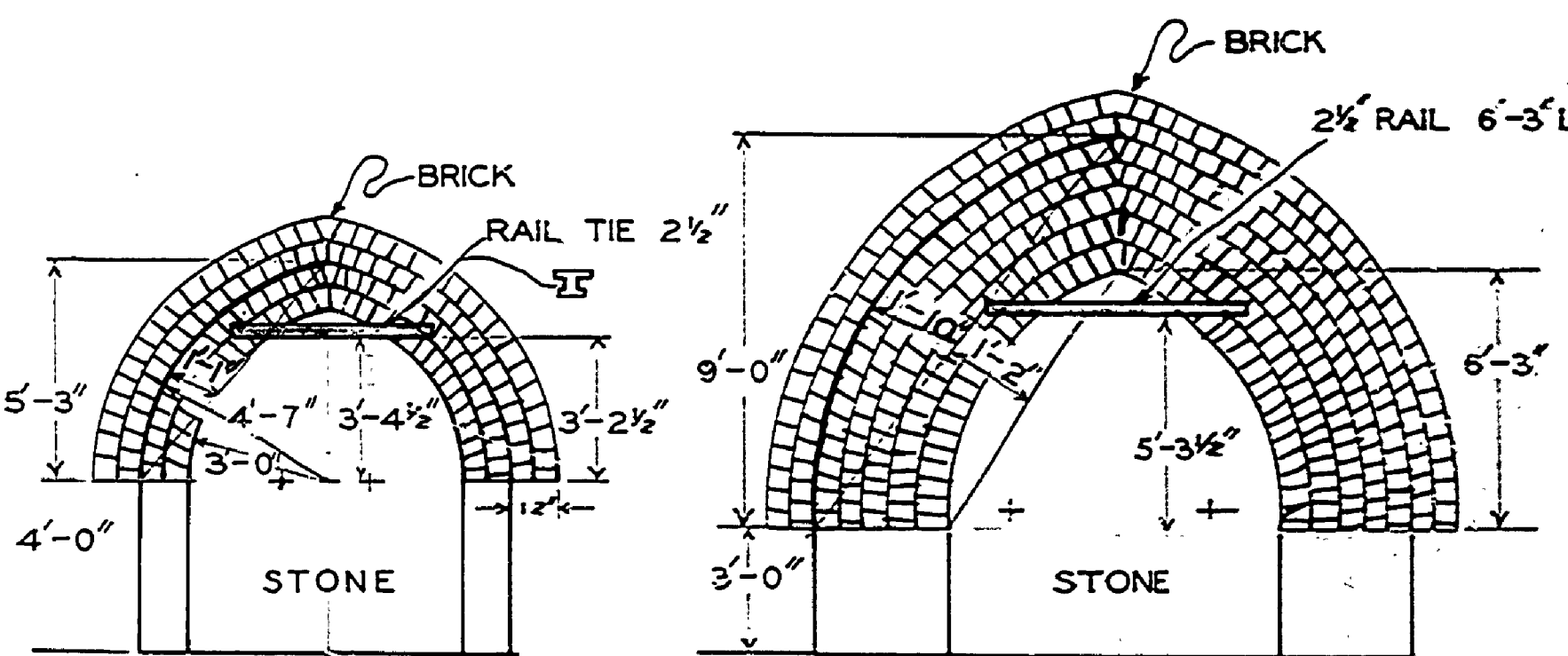
WEST

SCALE 1/8" = 1'-0"

EAST FURNACE



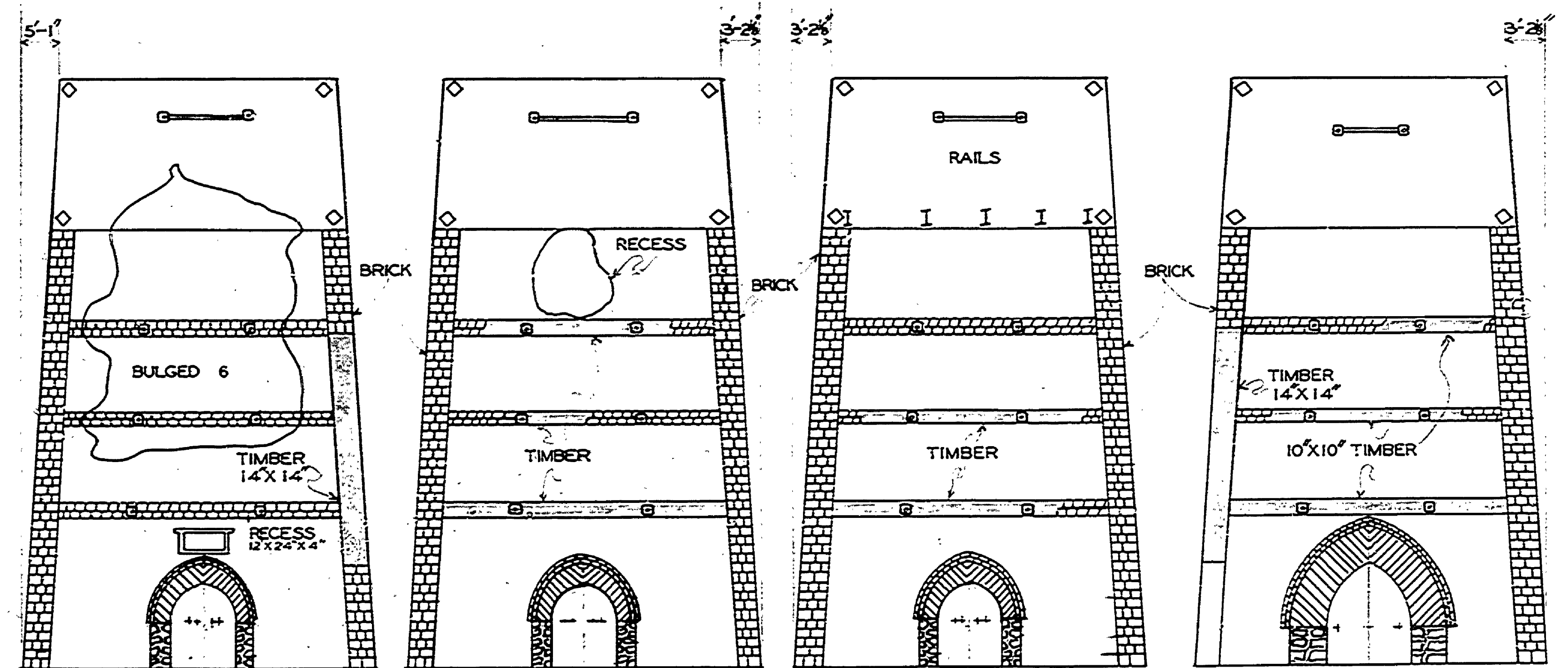
GROUND PLAN
SCALE 1/8" = 1'-0"



E. PORT S-N SIMILAR
SCALE 1/8" = 1'-0"

WEST PORT
SCALE 1/8" = 1'-0"

WEST FURNACE
BUILDING NO. 1-14



NORTH

SOUTH

EAST

WEST

SCALE 1/8" = 1'-0"