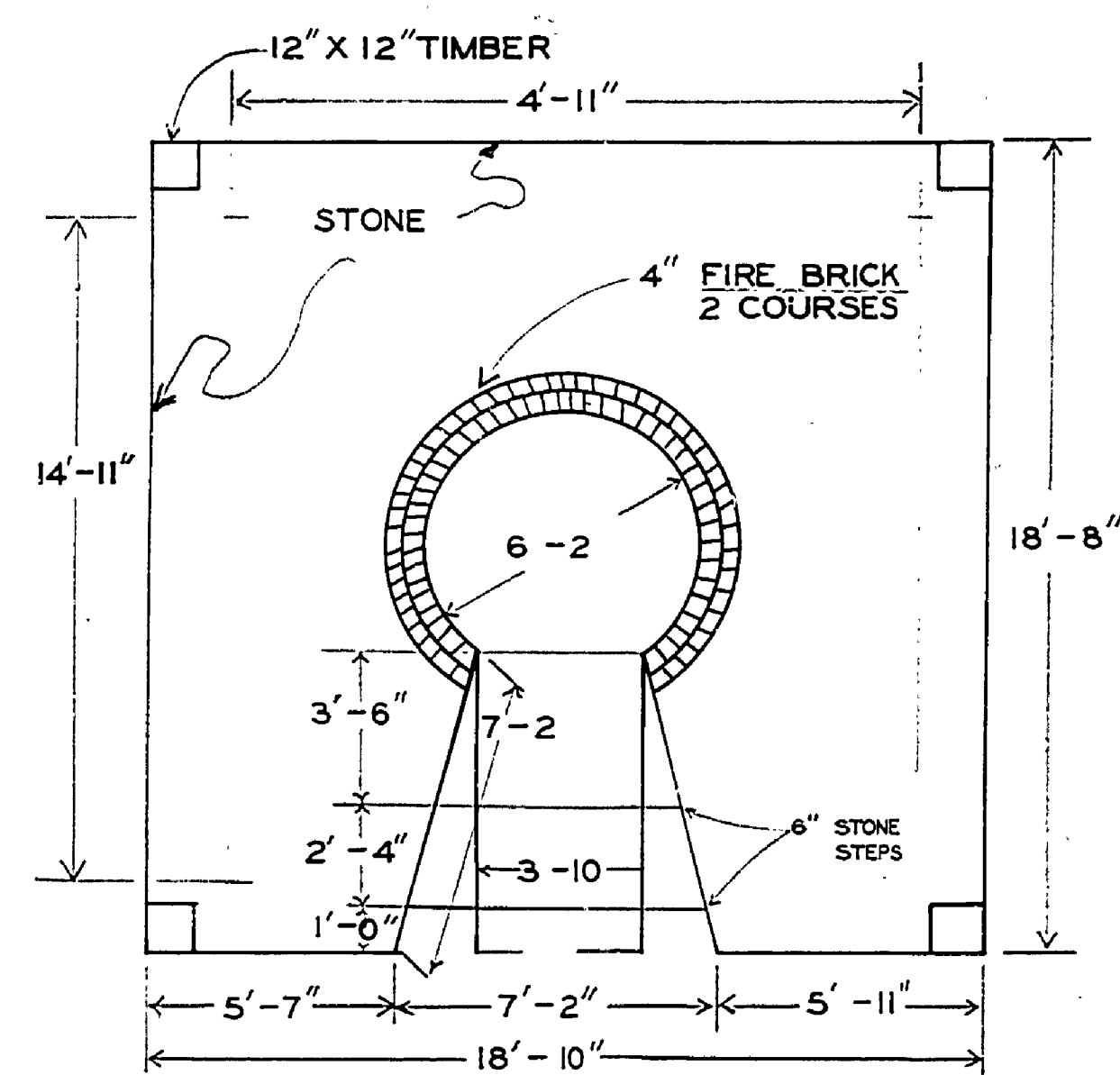
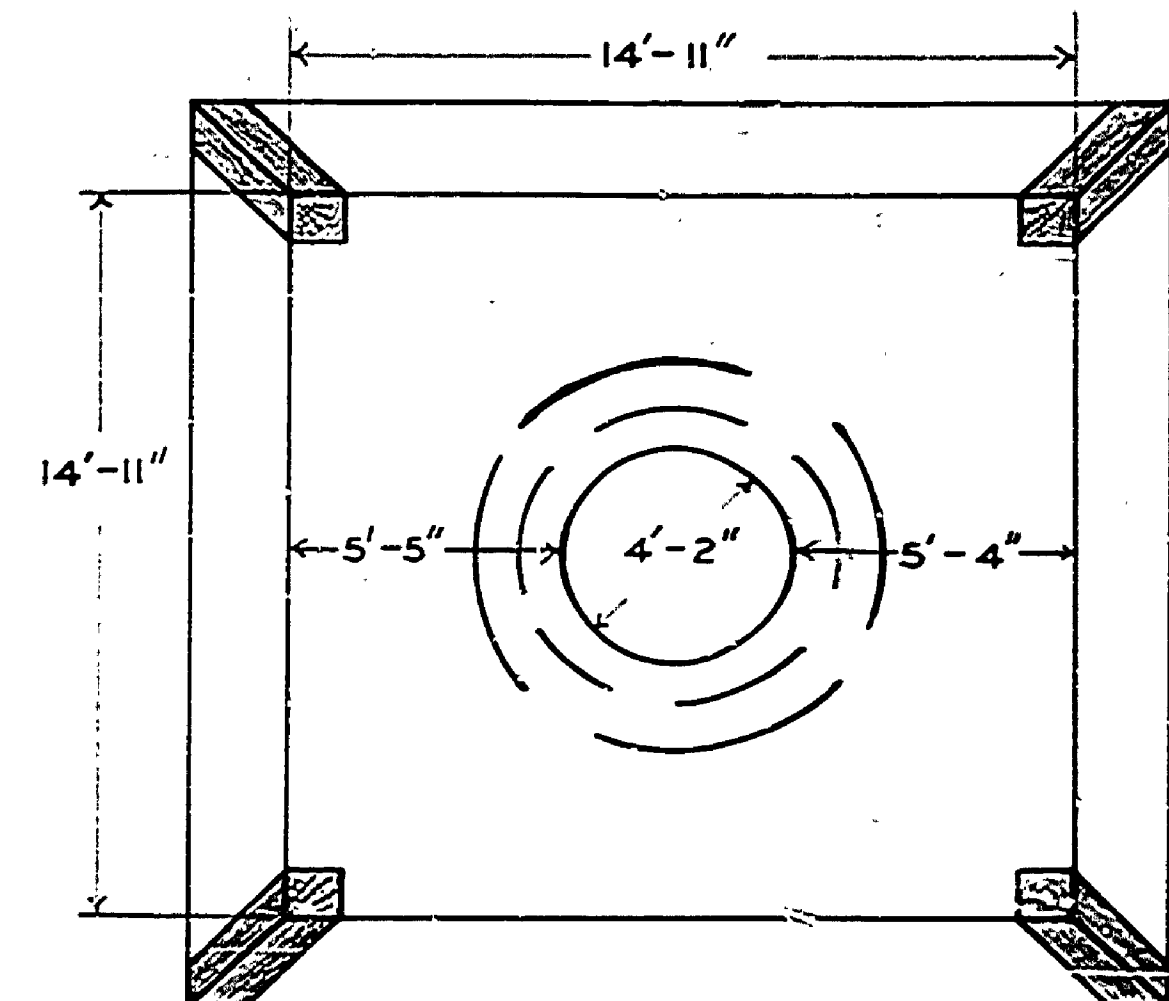


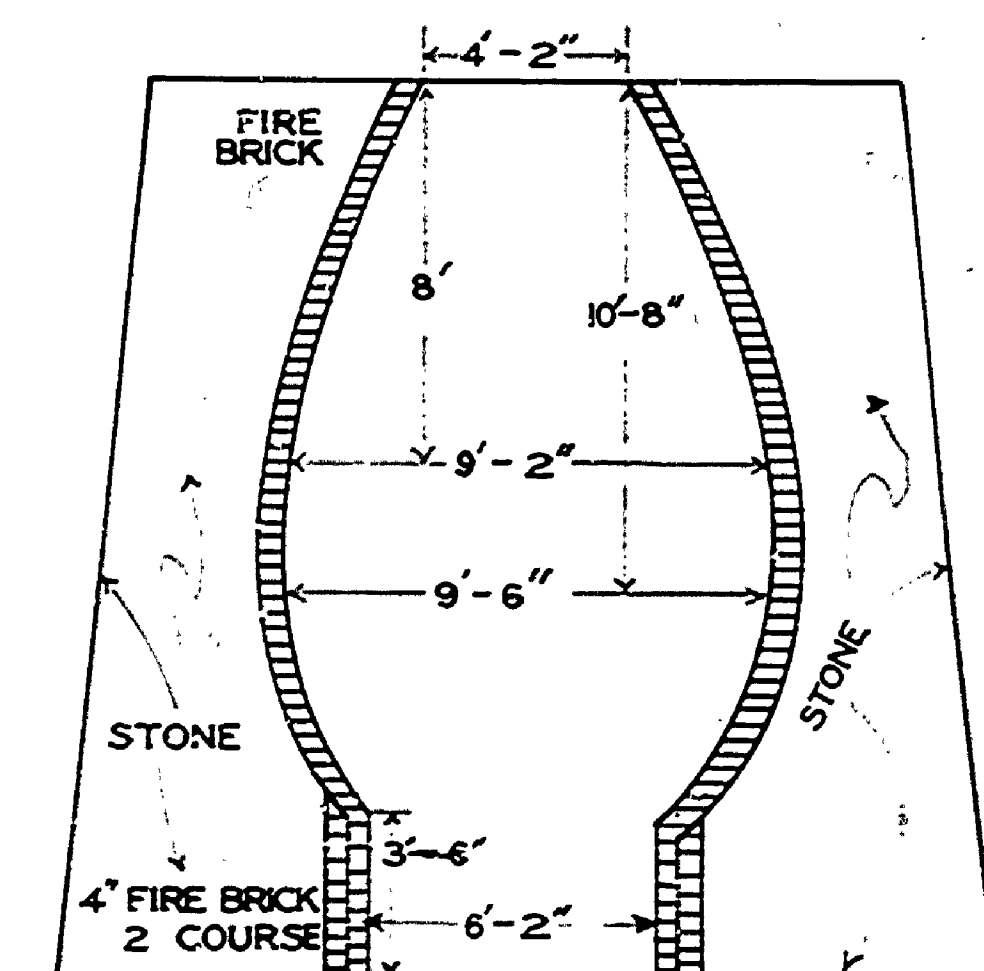
DESIGNED BY	DATE	REVIEWED	DATE	APPROVED	DATE	NO.	DATE	BY	REVISIONS
G. H. CRAY	5-7-65	ARCHITECTURAL				1			4
G. H. CRAY		ENGINEERING				2			5
G. H. CRAY		LANDSCAPE				3			6



GROUND PLAN

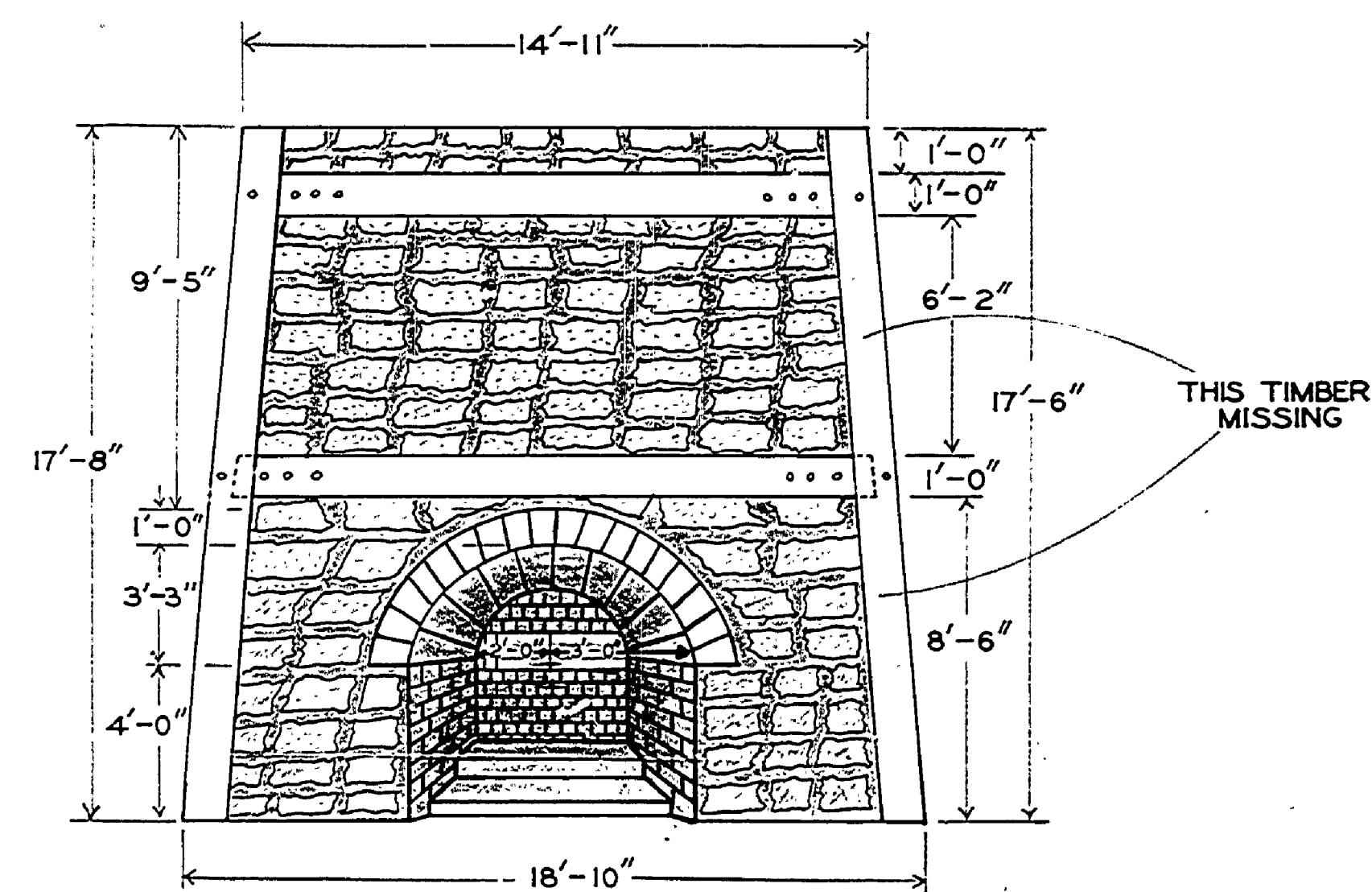


TOP VIEW

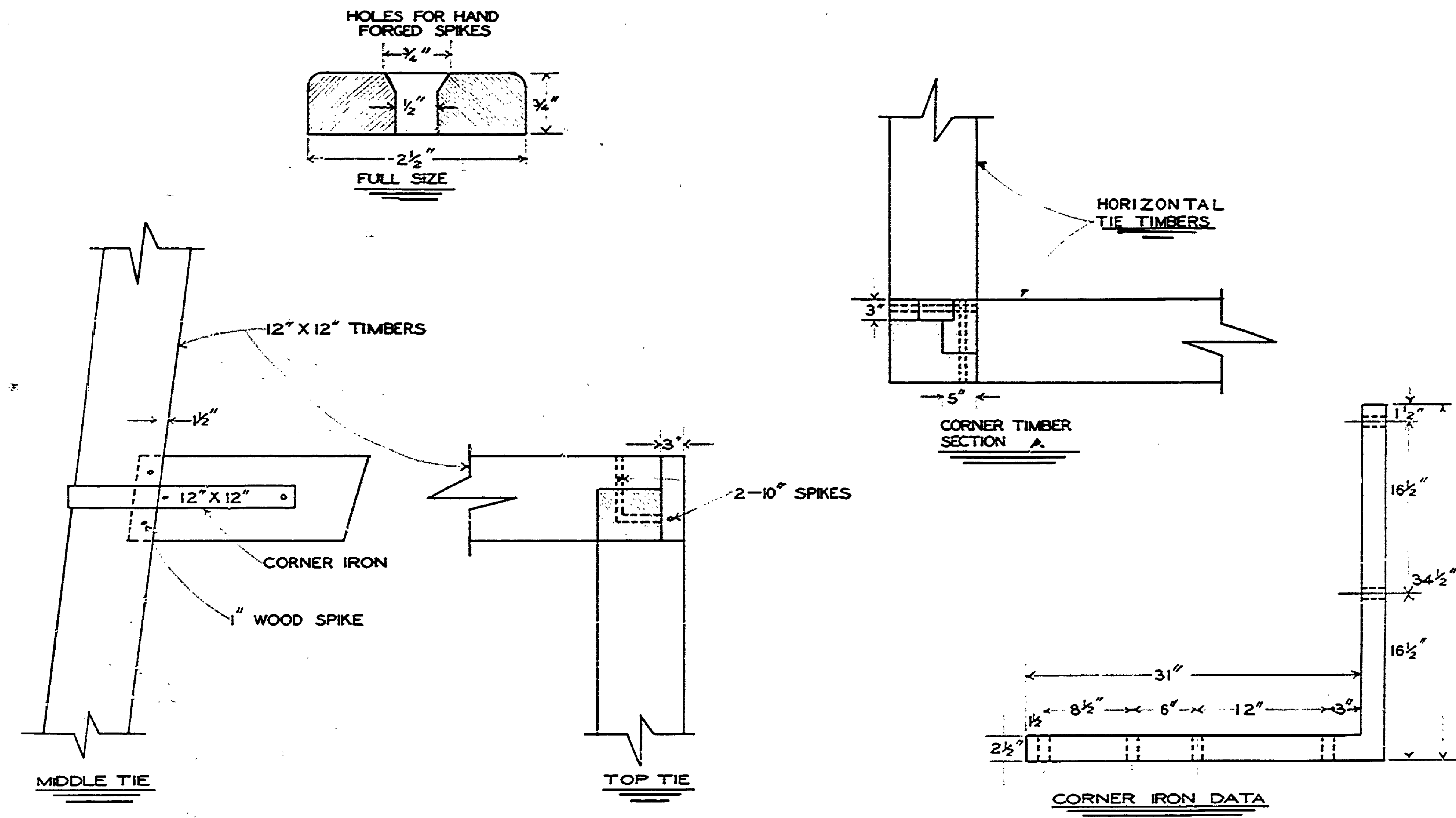


SECTION N.S.

3/4" x 2 1/2" IRON  
2'-10"



NORTH ELEVATION



DETAILS  
LIMESTONE KILN  
BUILDING #125

MICHIGAN  
DEPARTMENT OF CONSERVATION  
PARKS AND RECREATION DIVISION

MEASURED DRAWING  
FAYETTE E. HISTORICAL TOWNSITE  
FAYETTE STATE PARK

SHEET  
NO. 1  
OF 1

PLAN NO.  
A-125