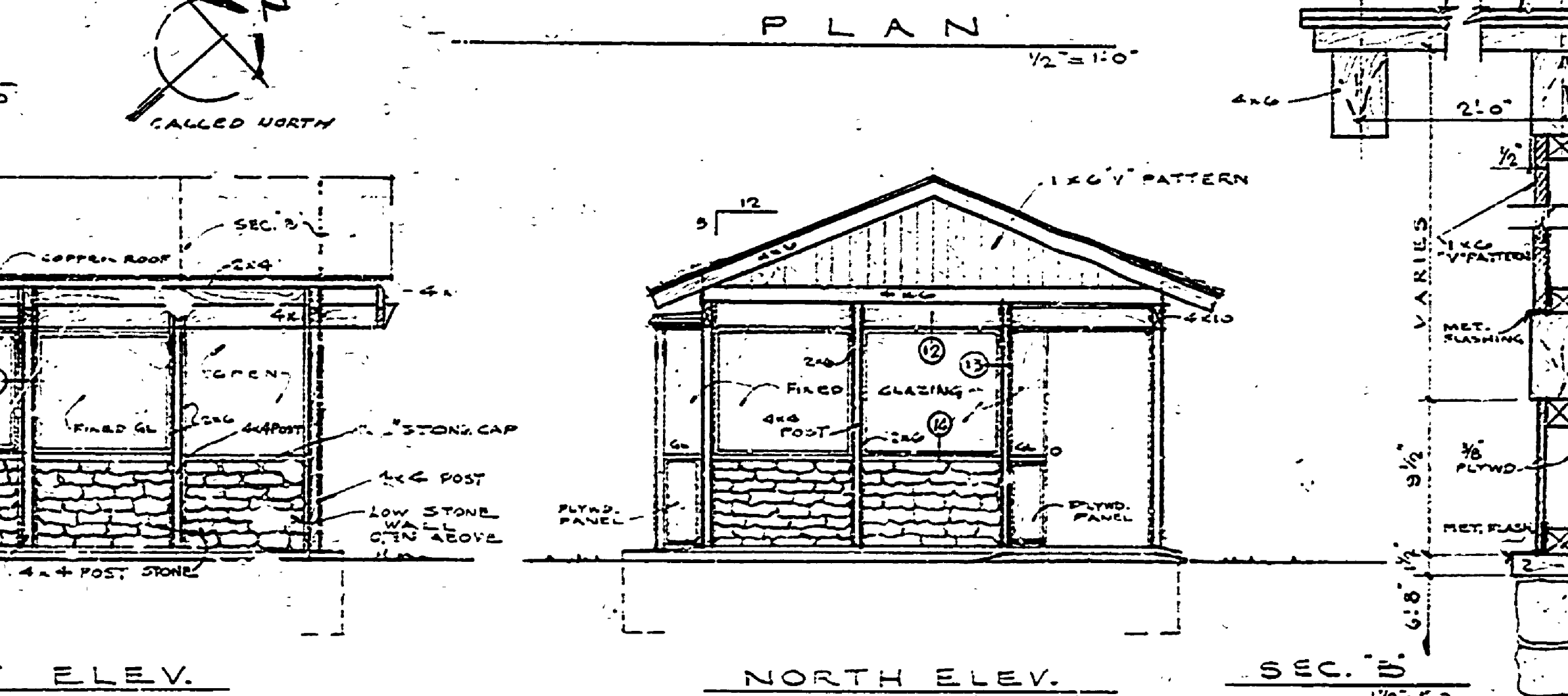
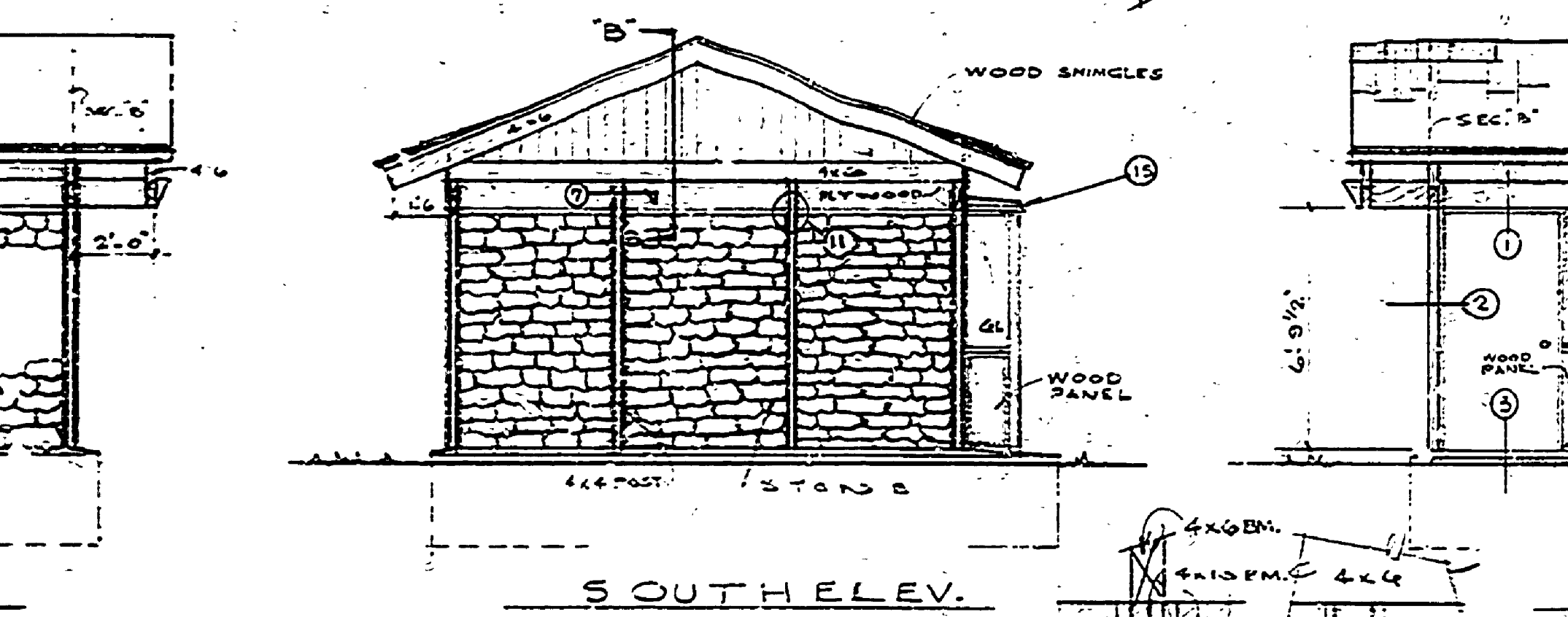
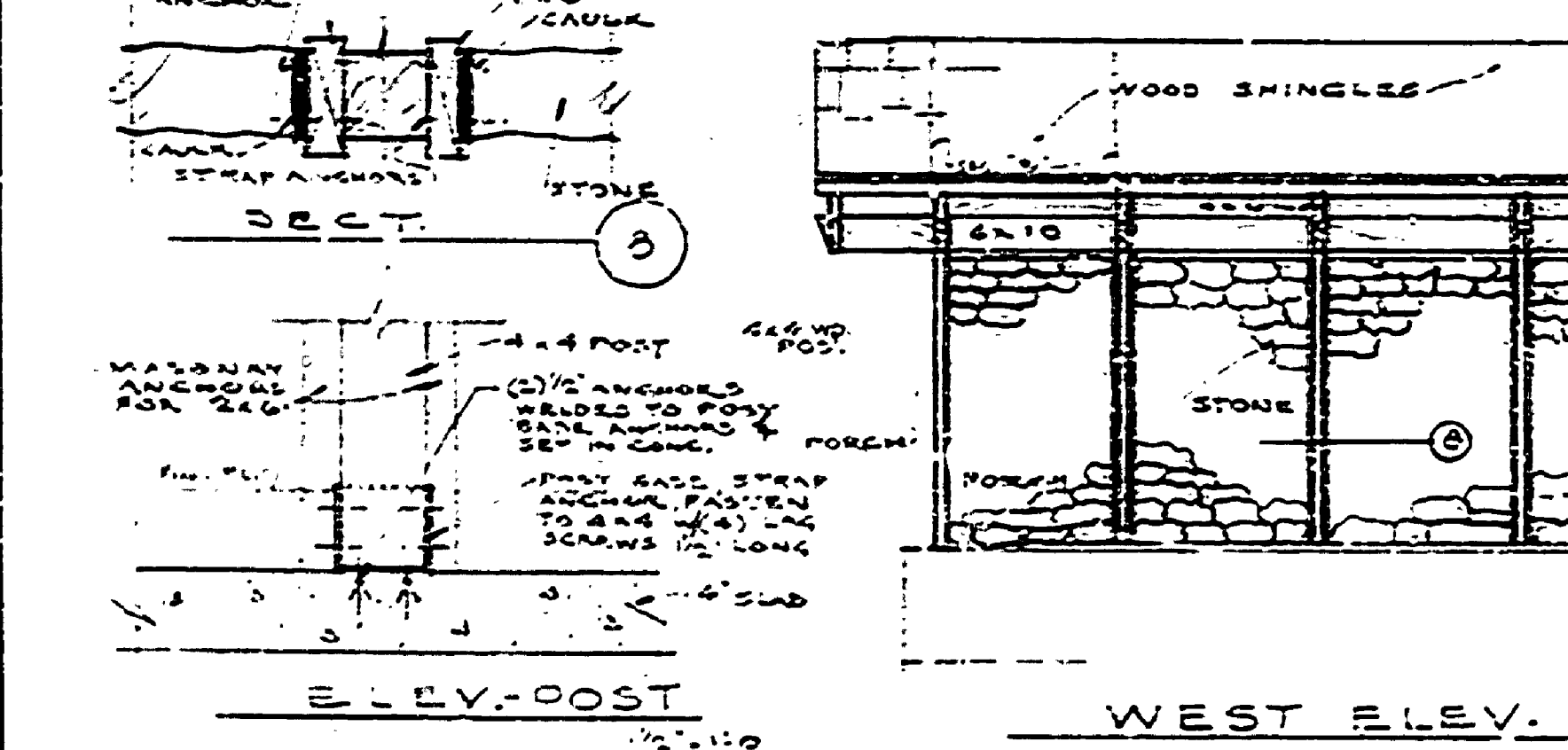
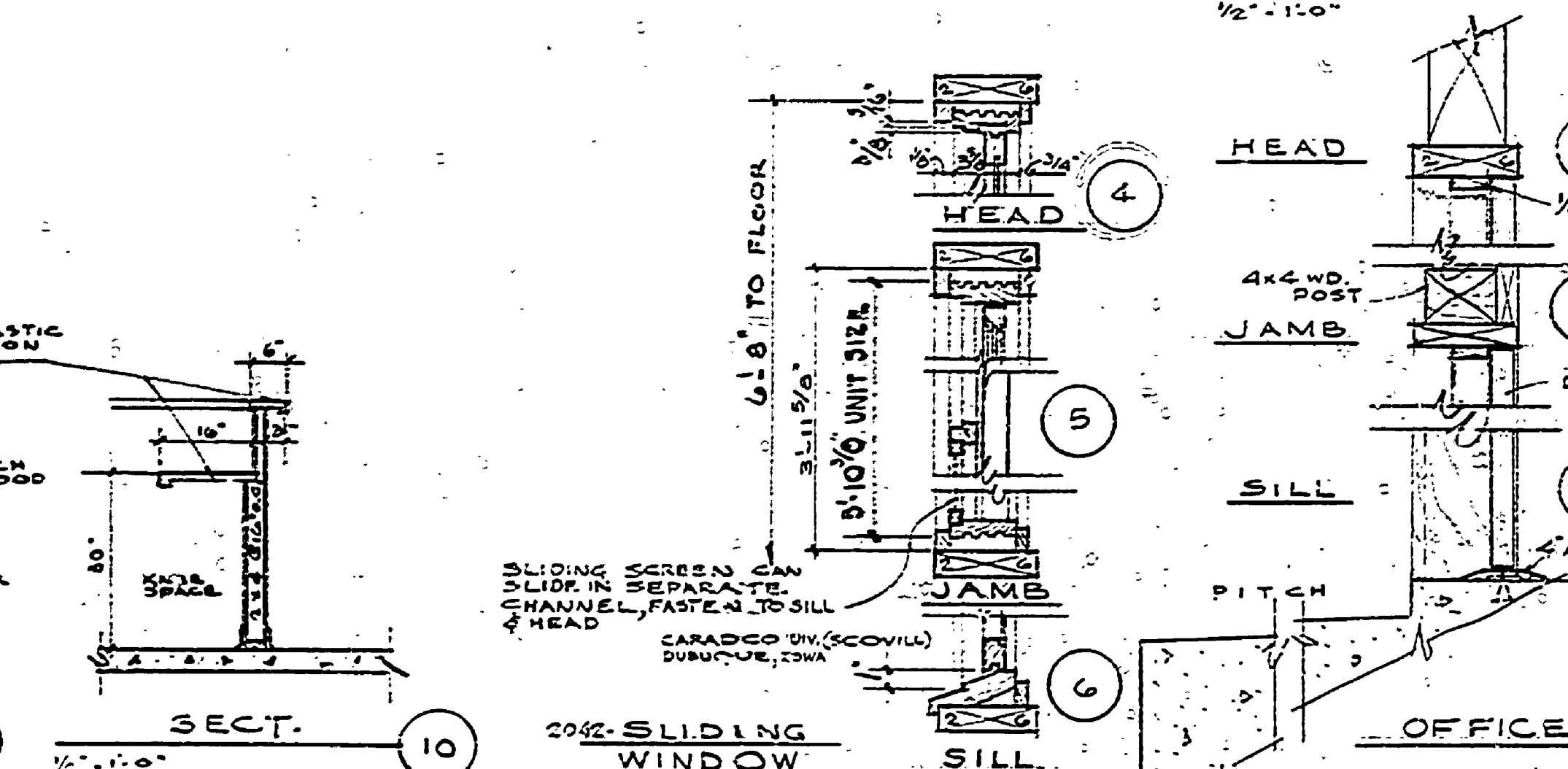
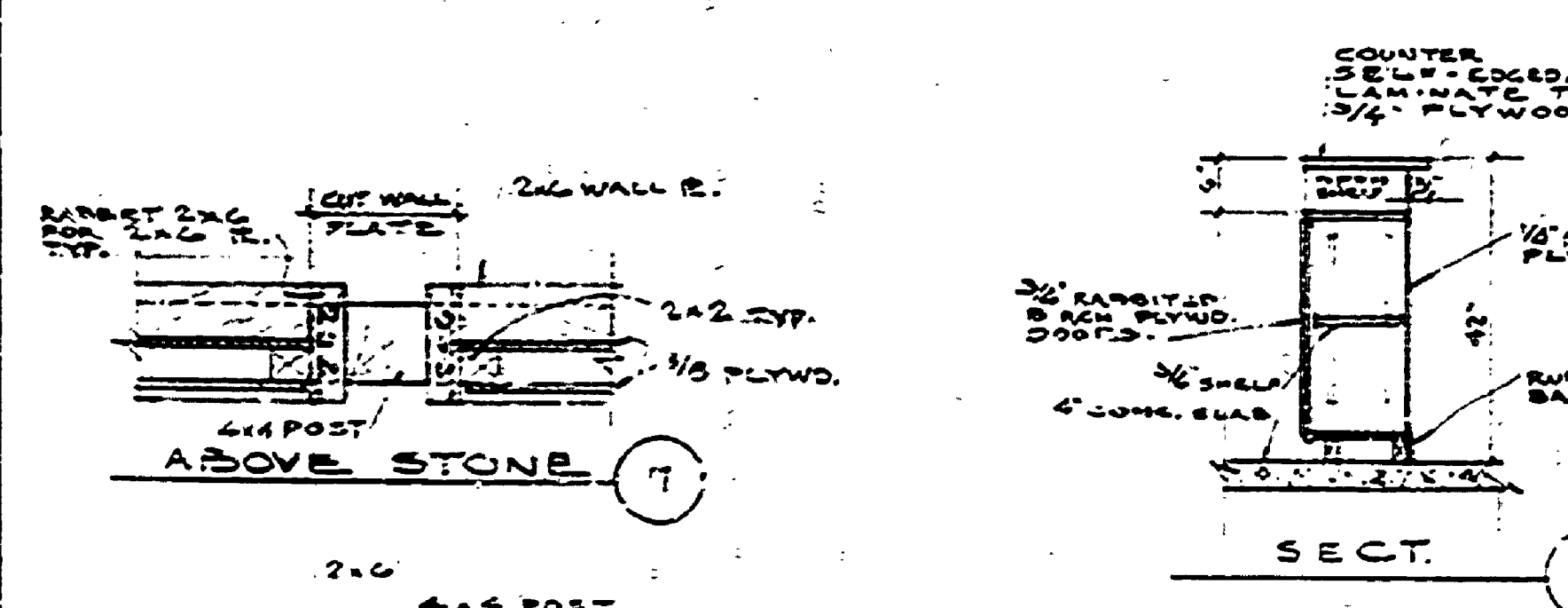
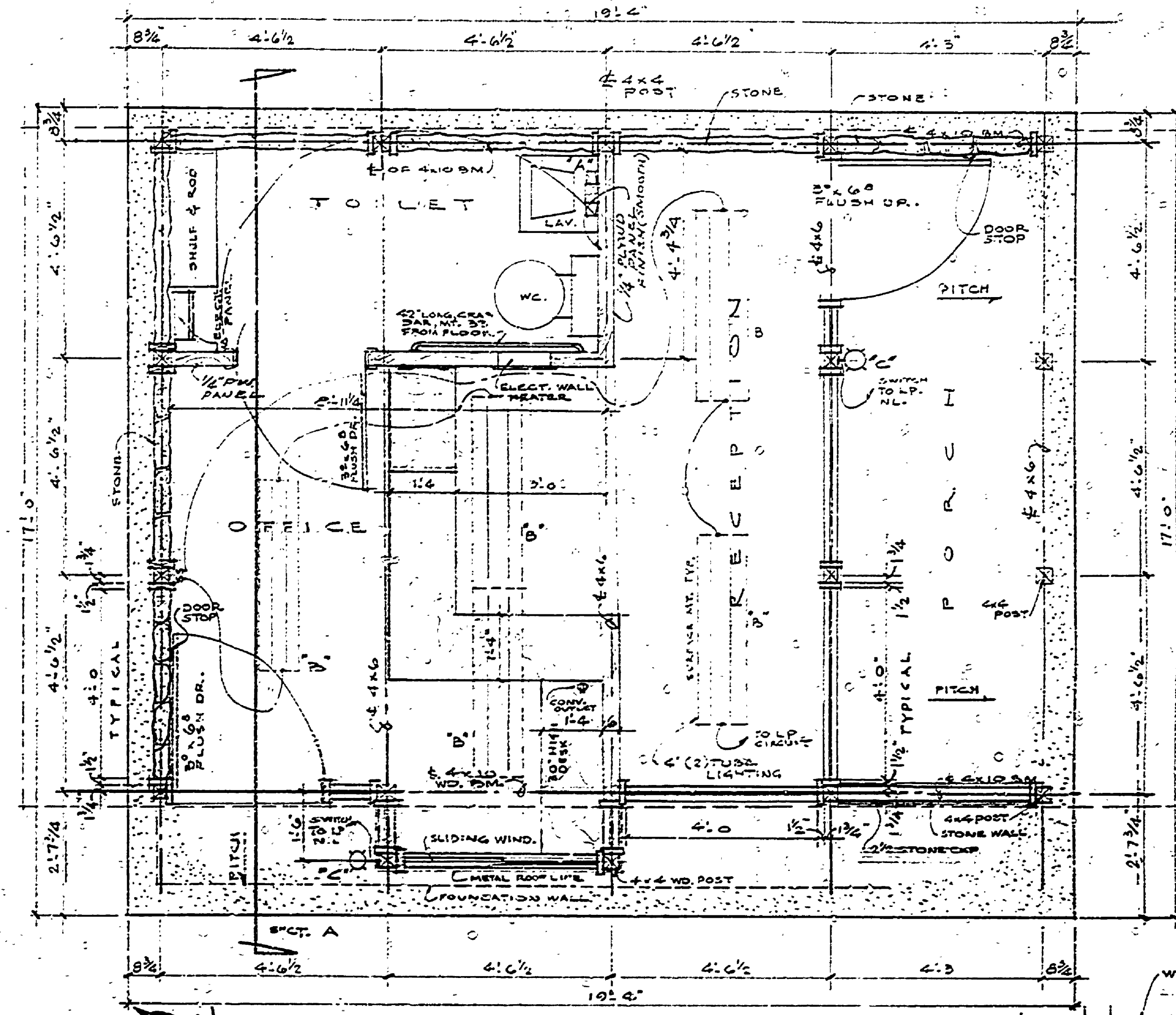
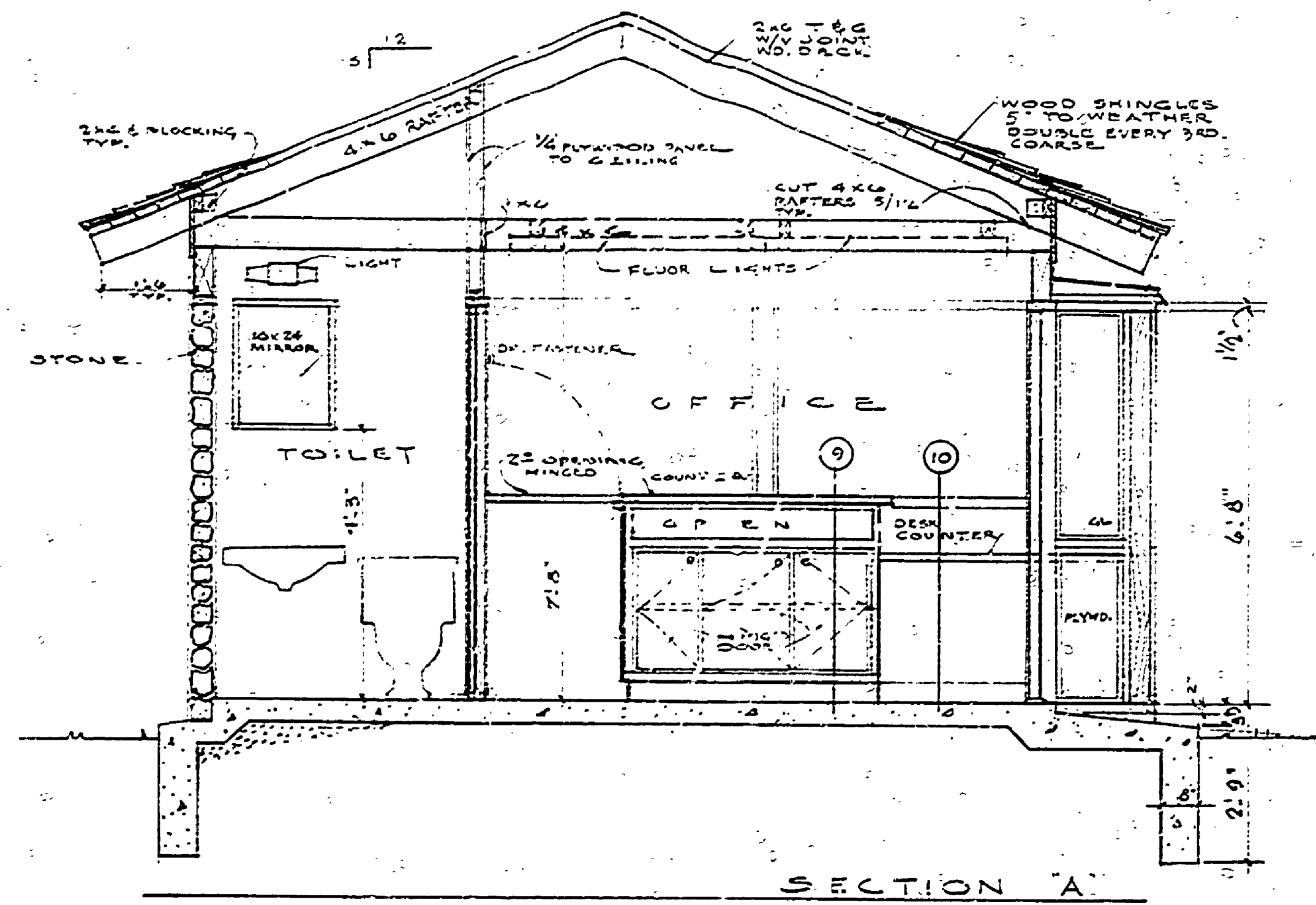
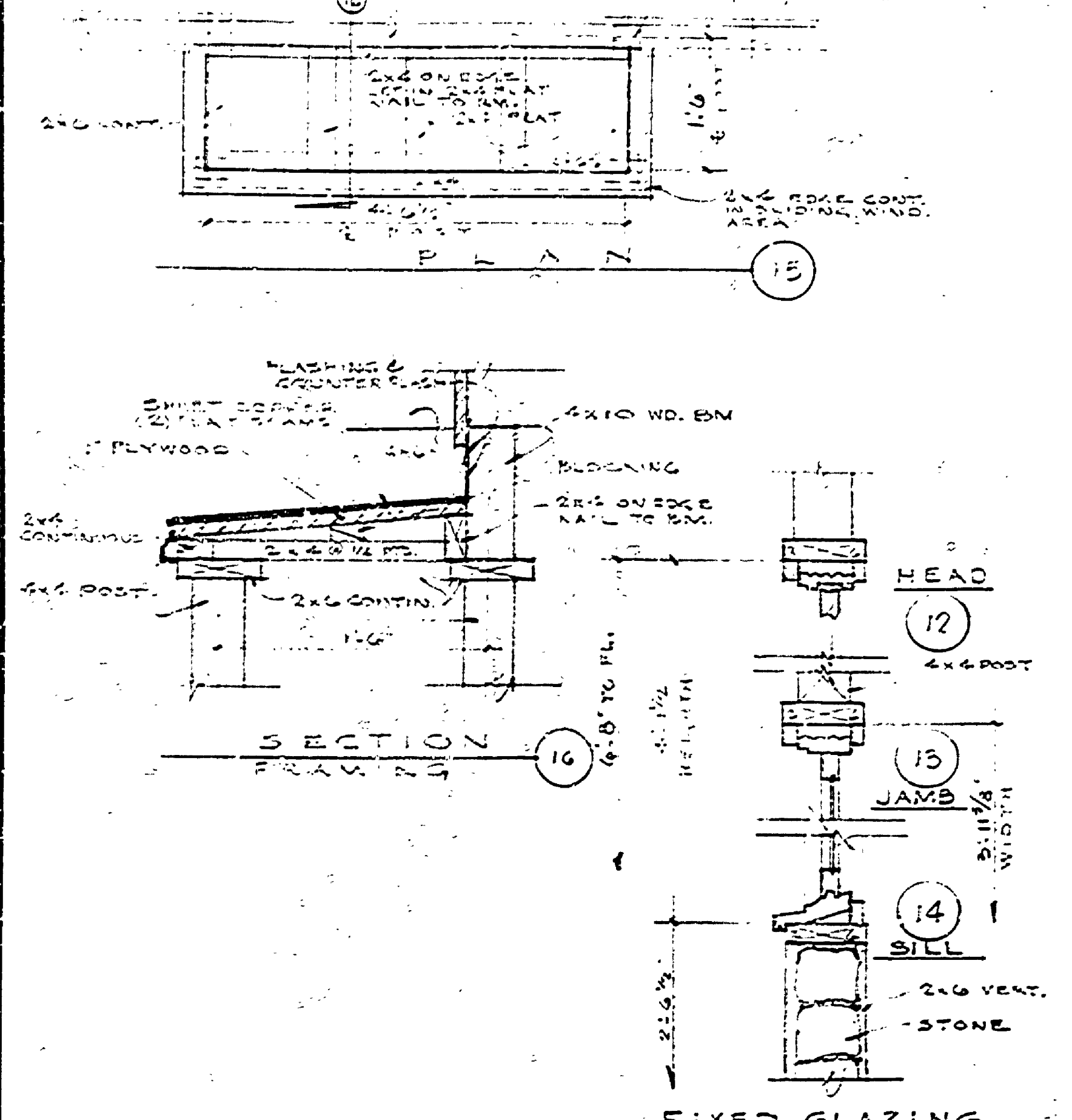


LIGHTING FIXTURES

- A. SOLUX-INCAND. AKV 64 (2) 100 W. MOUNT ABOVE MIRROR, HORIZ.
- B. SOLUX-FLUOR. F 53 MCD. 241 (2) 40W PL. RECESS MT. @ BOTTOM OF 4x6 POST
- C. SOLUX-INCAND. AKV 5440. (1) 100 W. MOUNT ON 4x4 POST



BUILDING COMMITTEE APPROVAL

BY: _____ DATE: _____

RECOMMENDED FOR APPROVAL: _____

RECOMMENDED FOR APPROVAL: _____

BY: _____ DATE: _____

APPROVED: _____

SURVEYED BY	DRAWN BY	NO.	DATE	BY	REVISIONS	NO.	DATE	BY	REVISIONS
		1.	11/14/71			3.			
		2.				4.			

MICHIGAN DEPARTMENT OF NATURAL RESOURCES

PLANS, ELEVATIONS, SECTIONS & CONSTRUCTION DETAILS

FAYETTE AREA OR PARK CAMPGROUND ENTRANCE BUILDING

PROJECT NO. 26-1232 SHEET 2 OF 2 PLAN NO. A-204