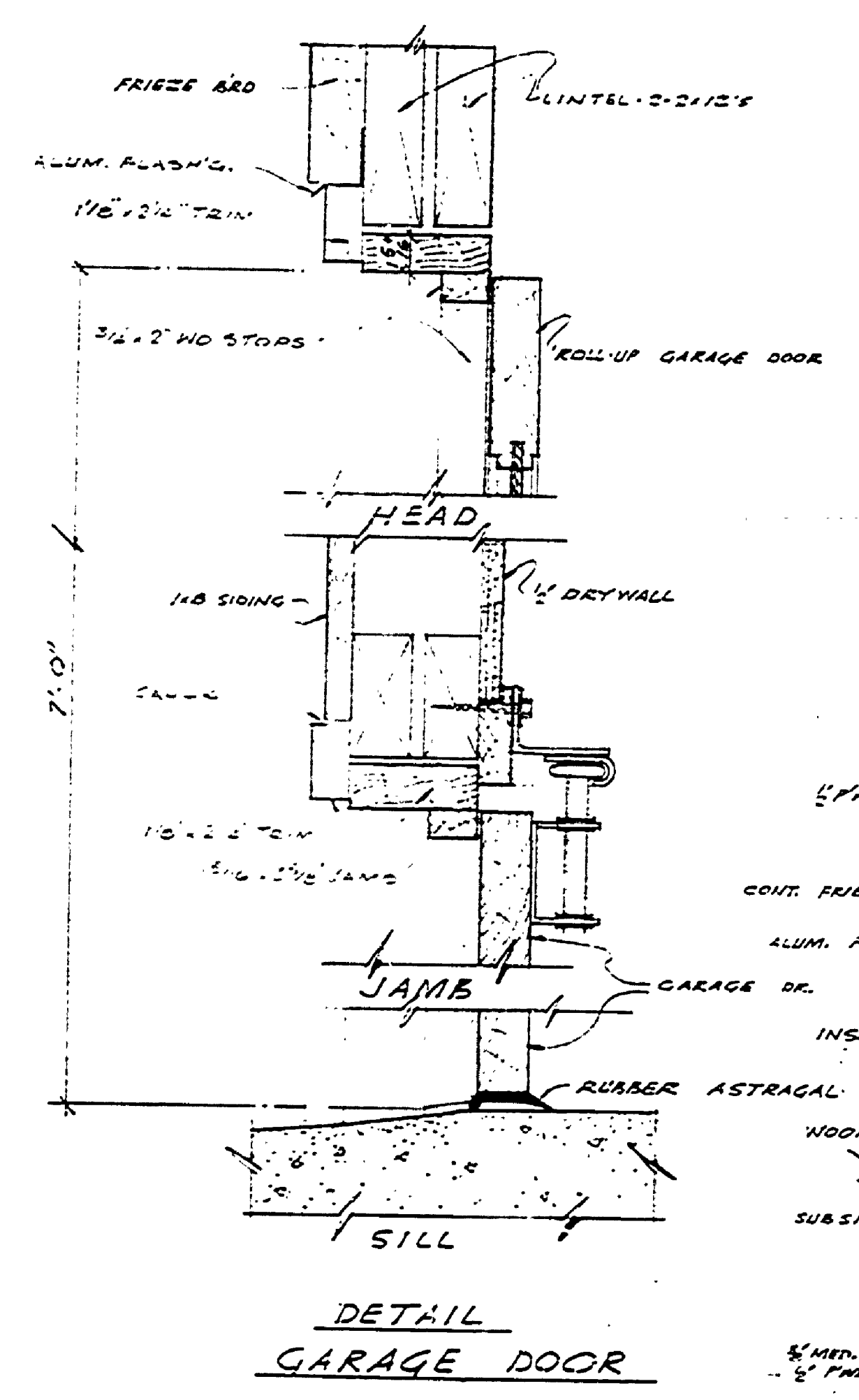
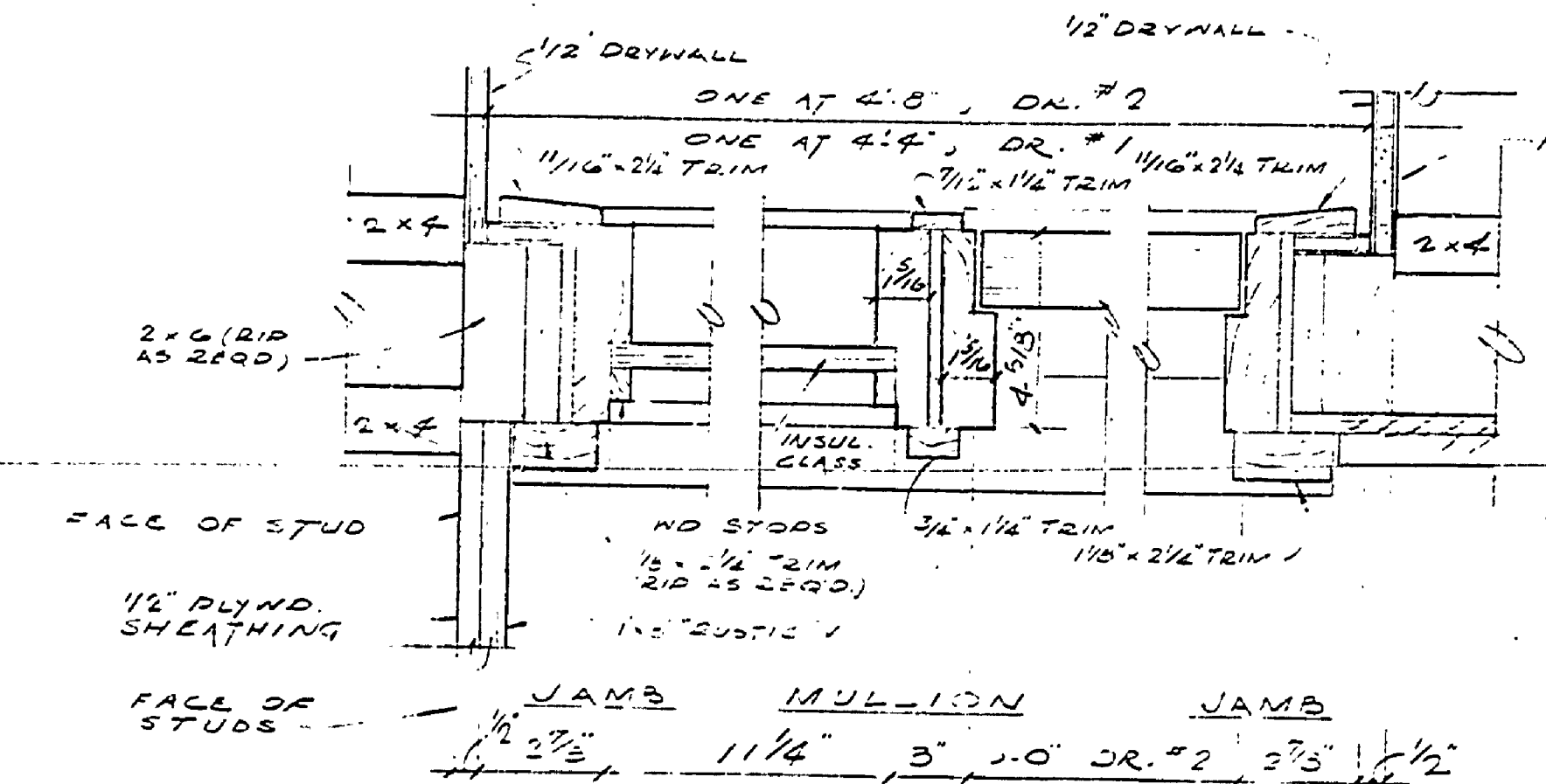


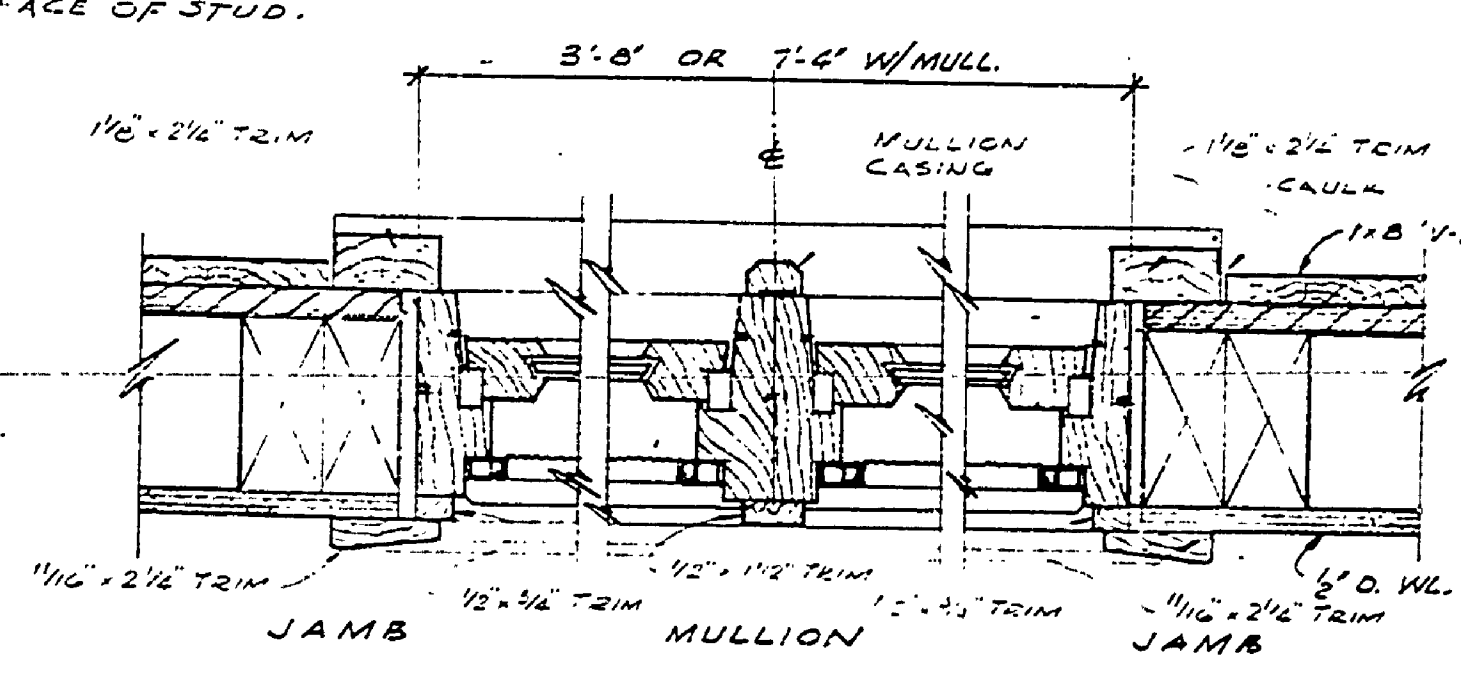
DESIGNED BY	W.M.C.	ARCHITECTURAL	REVIEWED	DATE	APPROVED	DATE	NO.	DATE	BY
DRAWN BY	W.C.	ENGINEERING					1		
CHECKED BY	W.C.	LANDSCAPE					2		
							3		
							4		
							5		
							6		



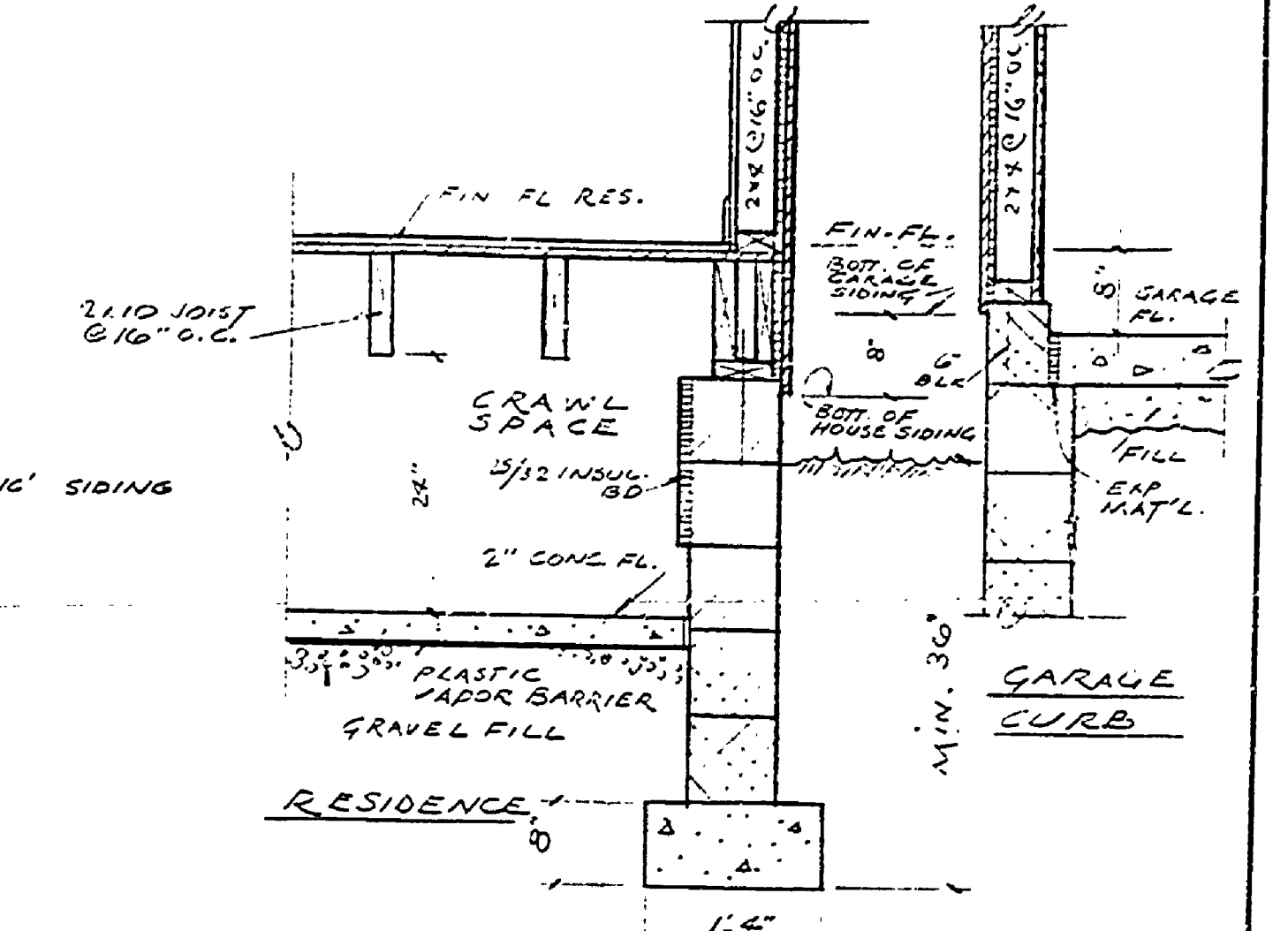
DETAIL GARAGE DOOR



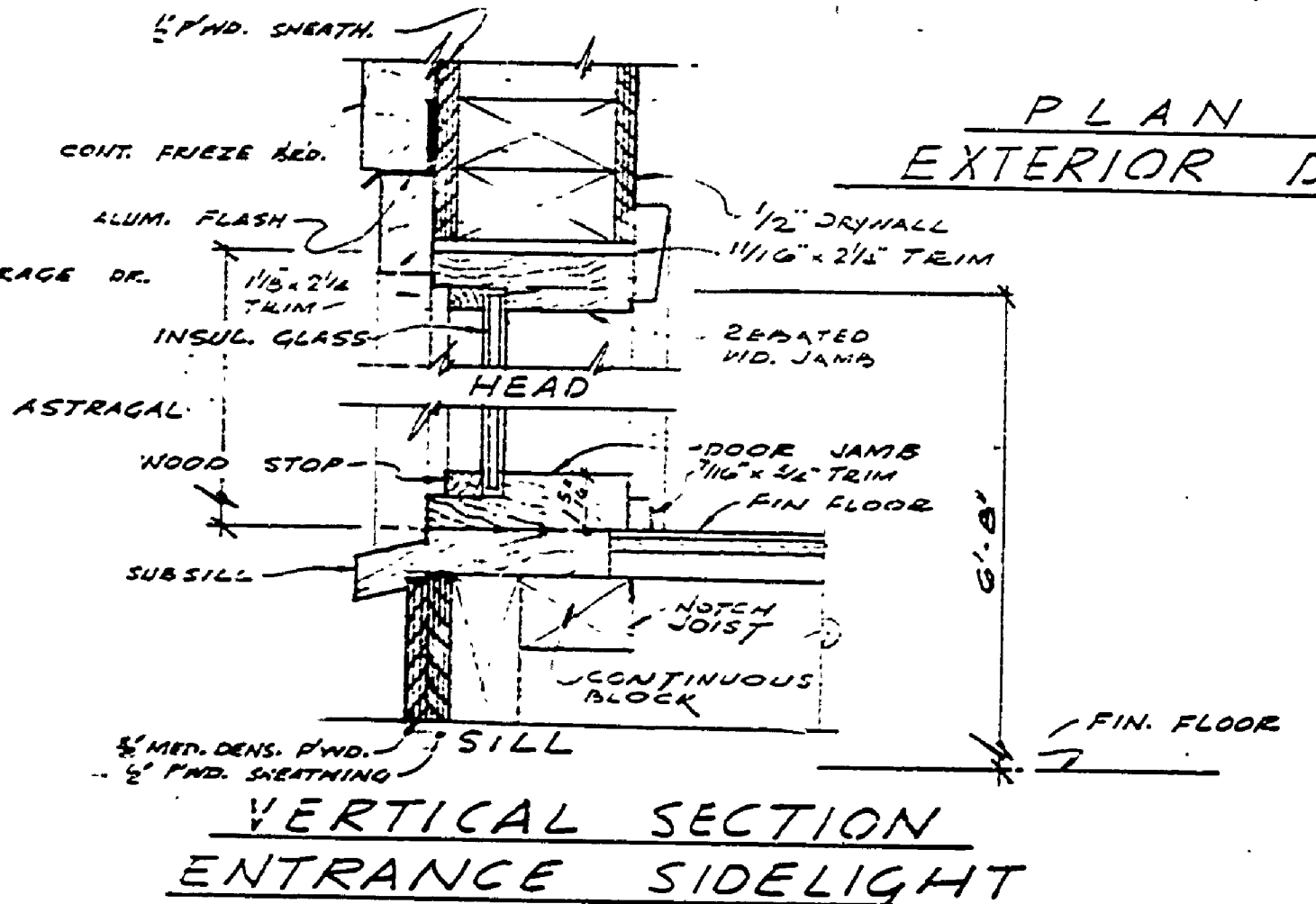
PLAN SECTION EXTERIOR DOOR & SIDELIGHT



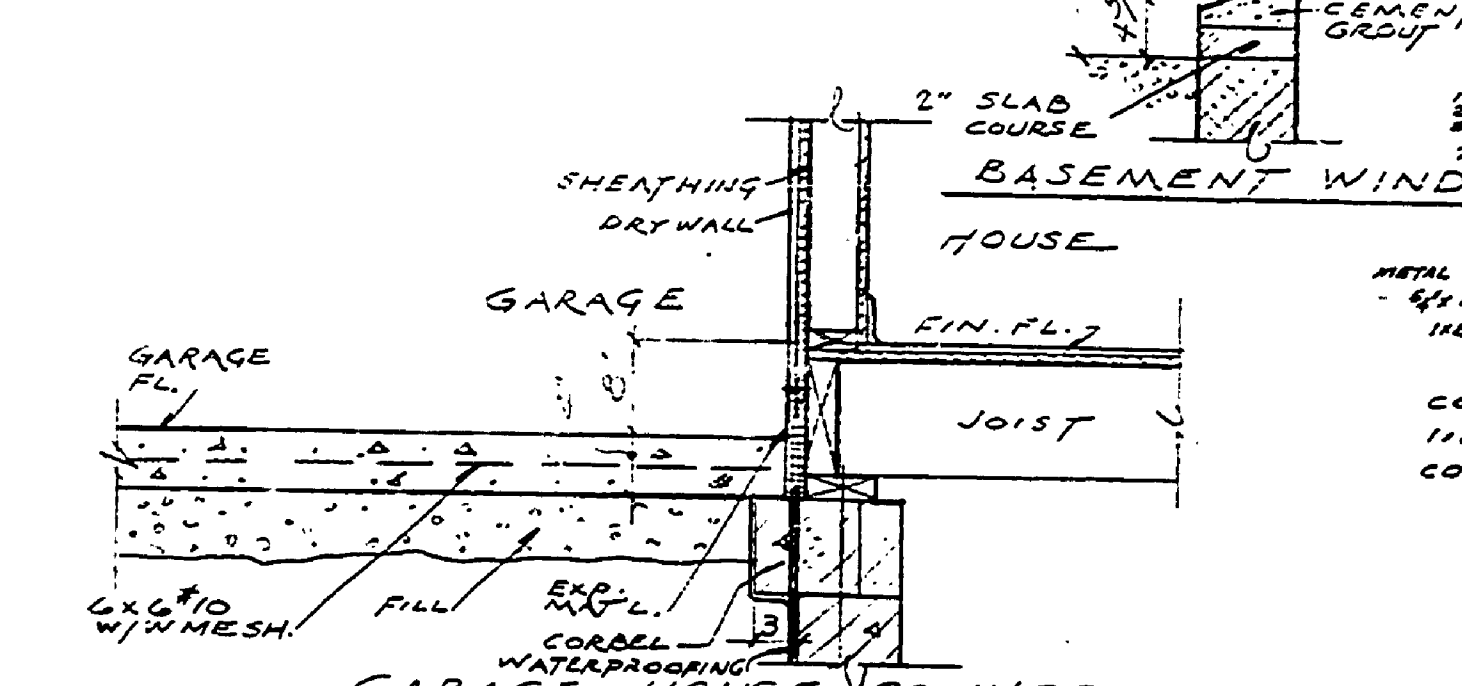
PLAN SECTION TYPICAL WINDOW



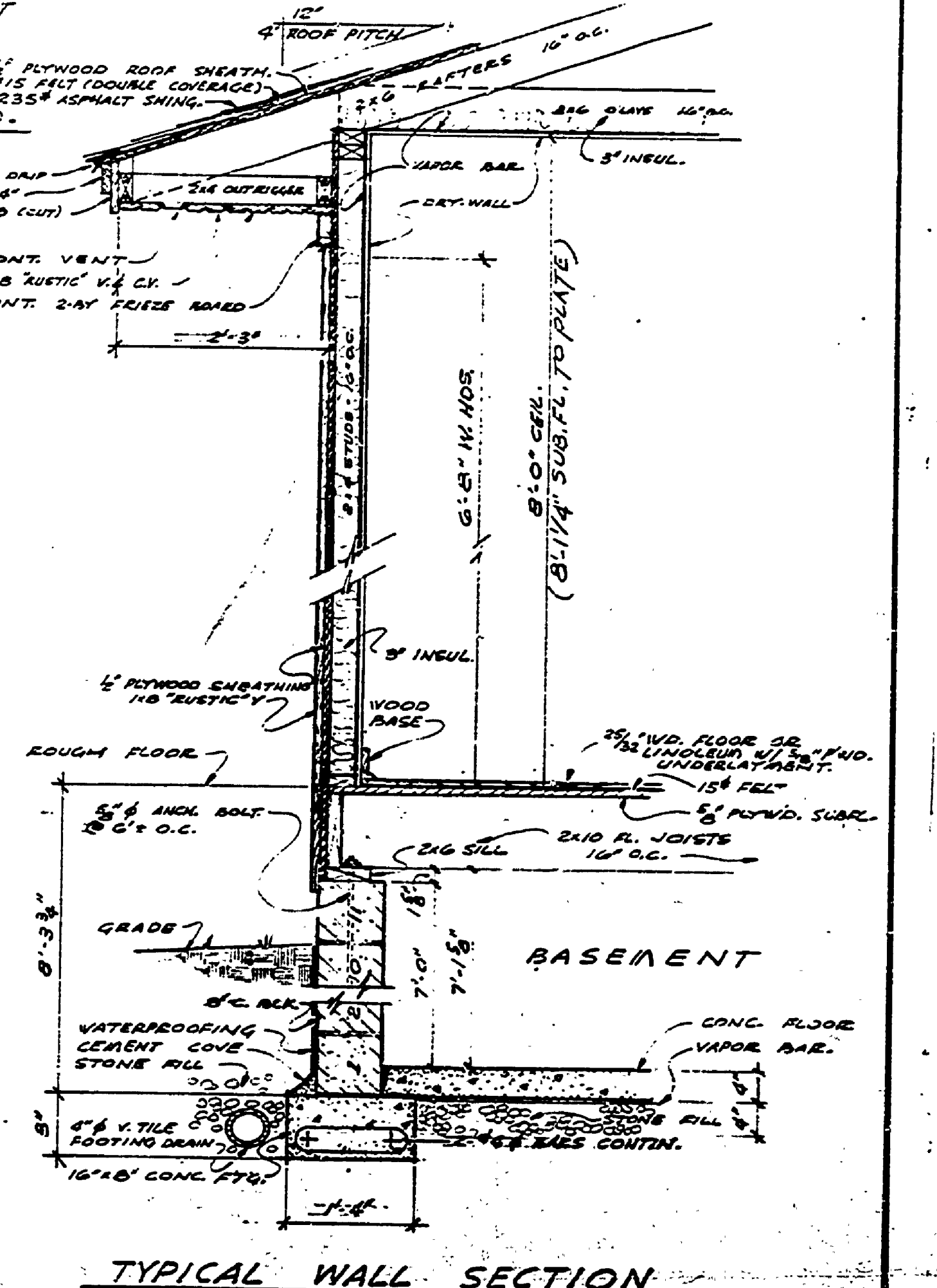
CRAWL SPACE, TYPICAL



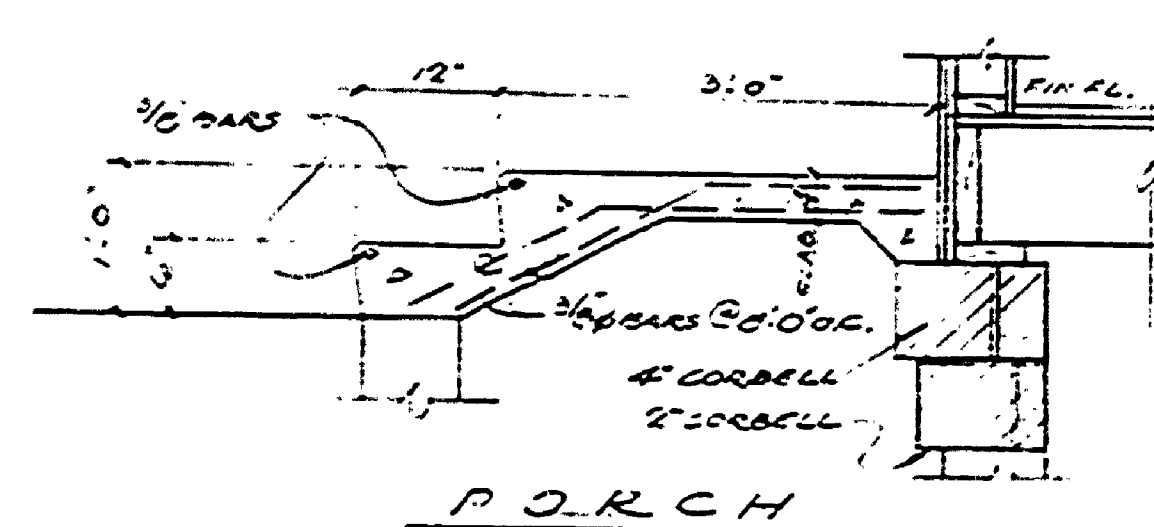
VERTICAL SECTION ENTRANCE SIDELIGHT



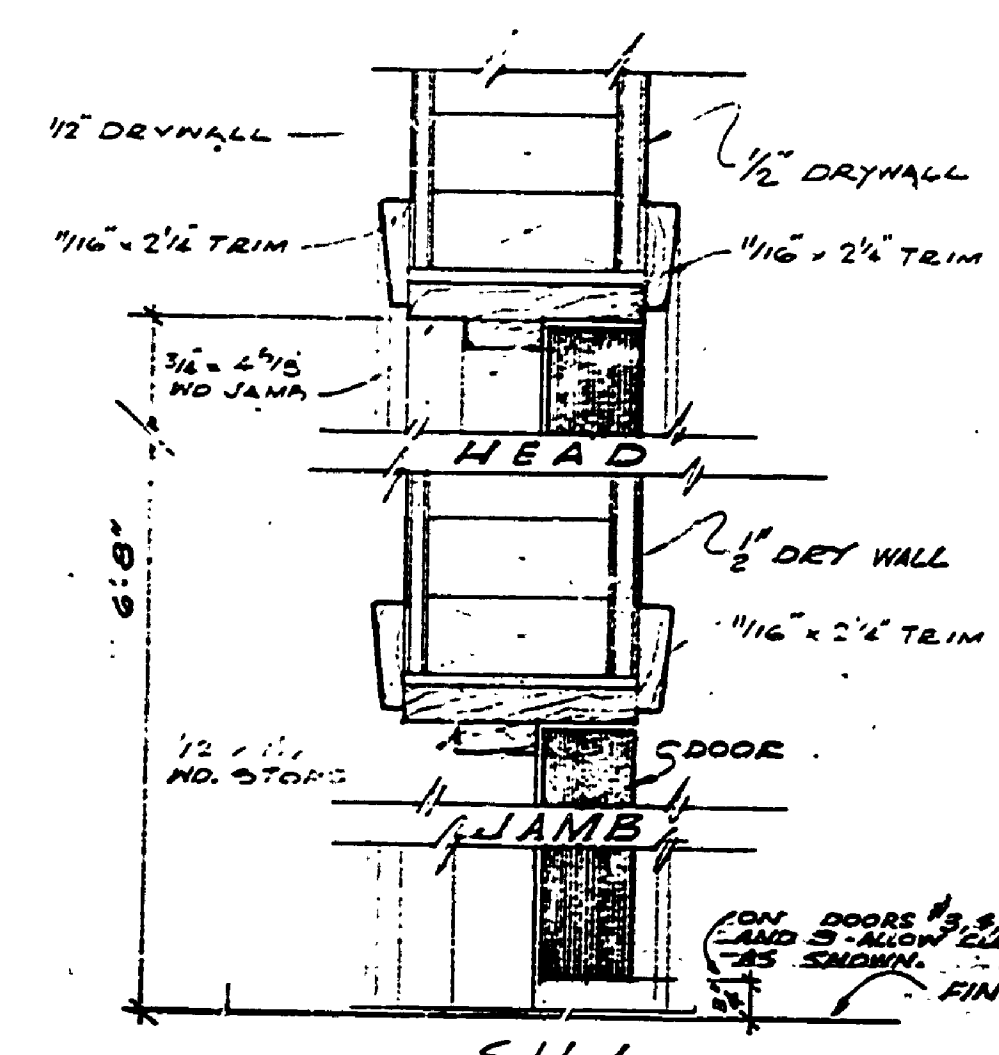
GARAGE-HOUSE CONNECTION



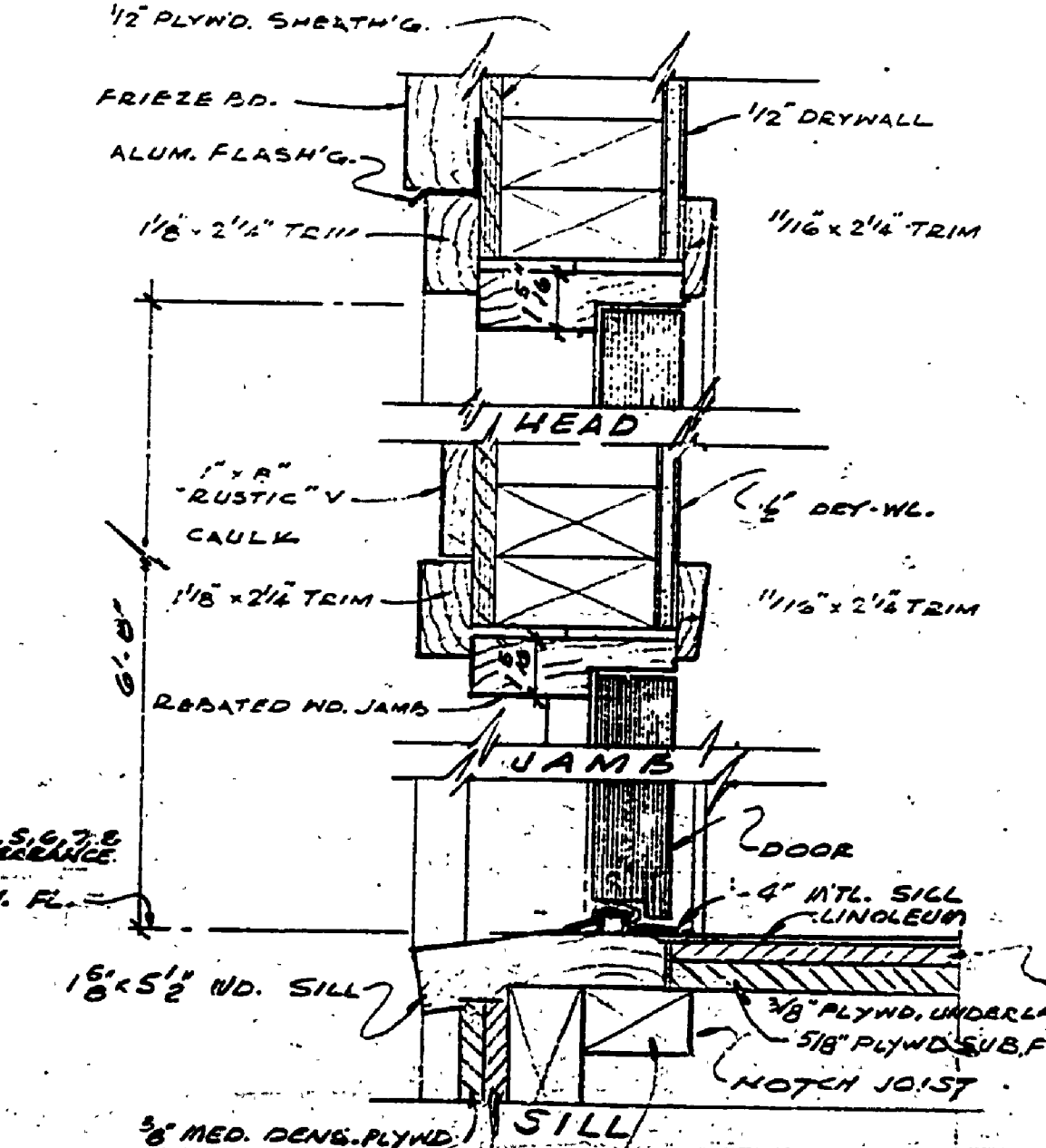
TYPICAL WALL SECTION



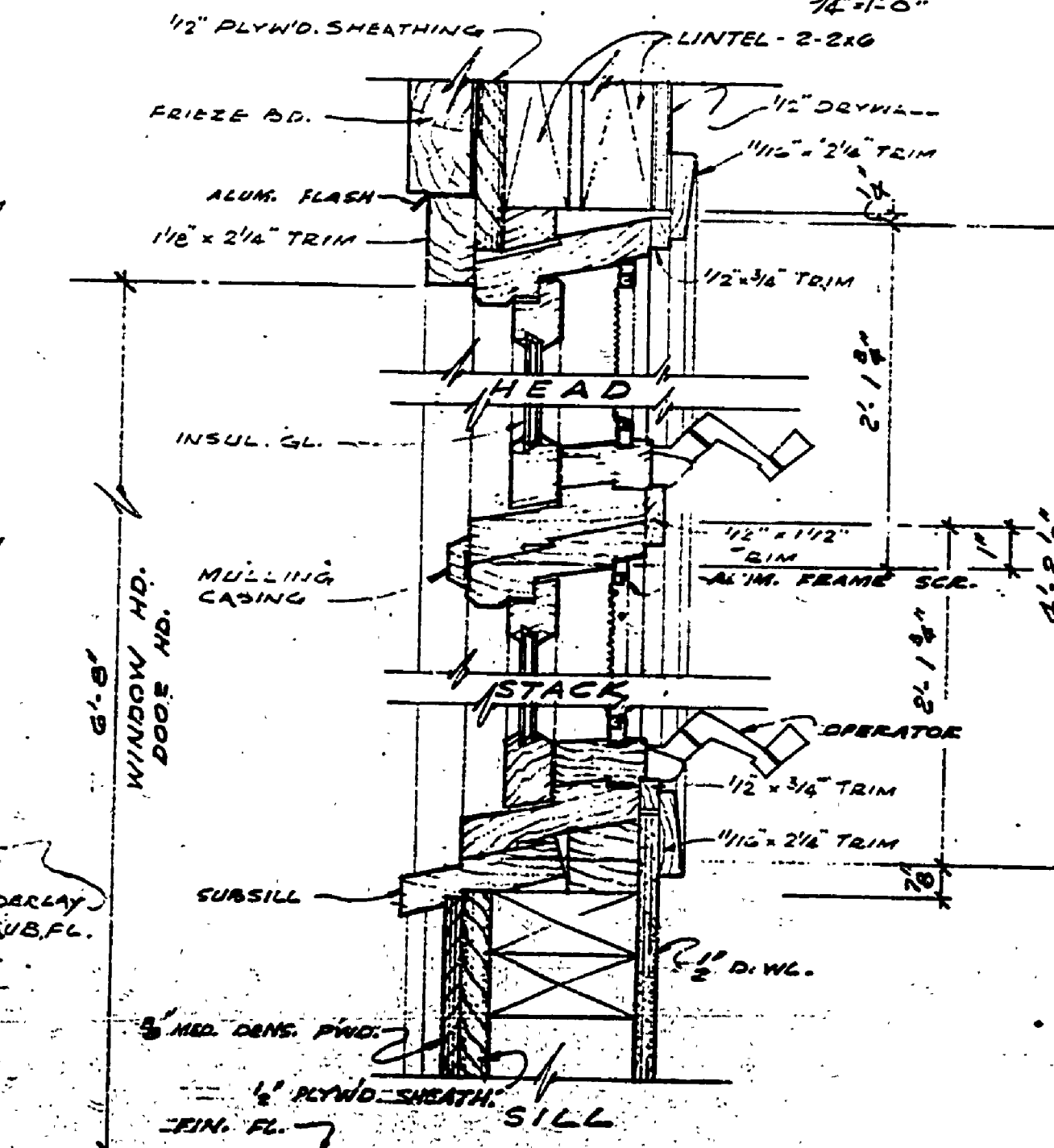
PORCH



DETAIL TYPICAL INT. DOOR



DETAIL TYPICAL EXT. DOOR



DETAIL TYPICAL WINDOW (ELEVATION SEC)

PROJECT NO. 24-1020

MANAGER'S RESIDENCE	SHEET FIVE	PLAN NO. A-203
FAYETTE STATE PARK	DATE	