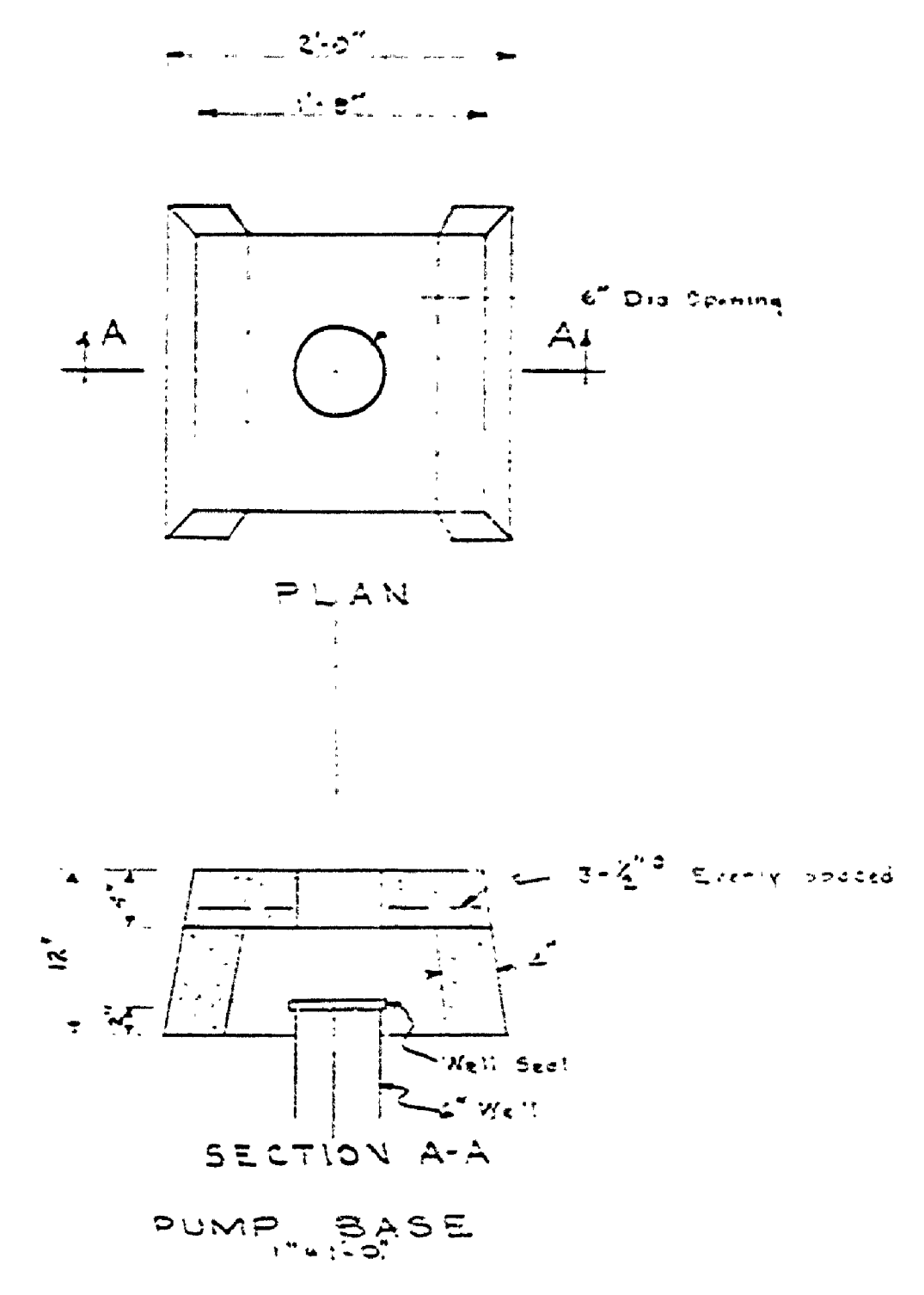
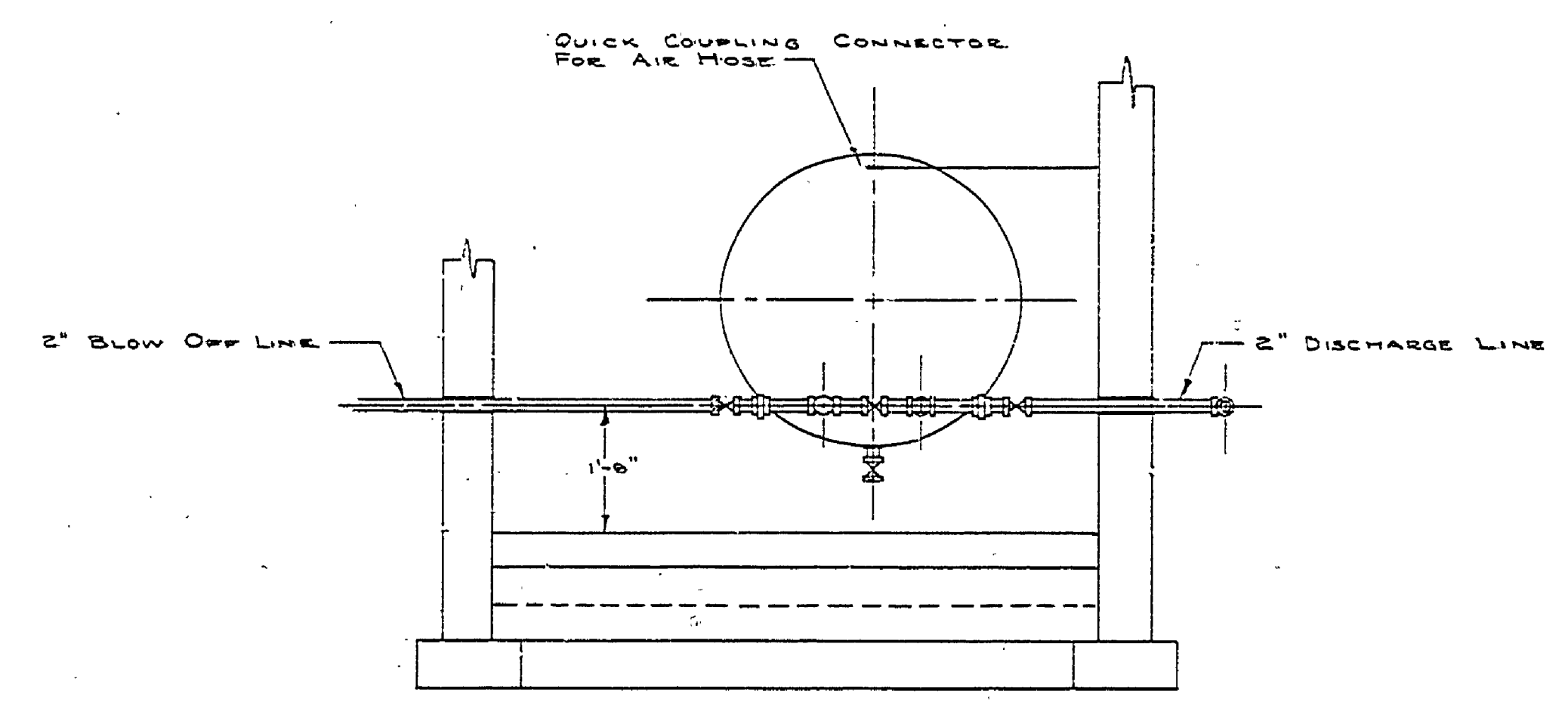
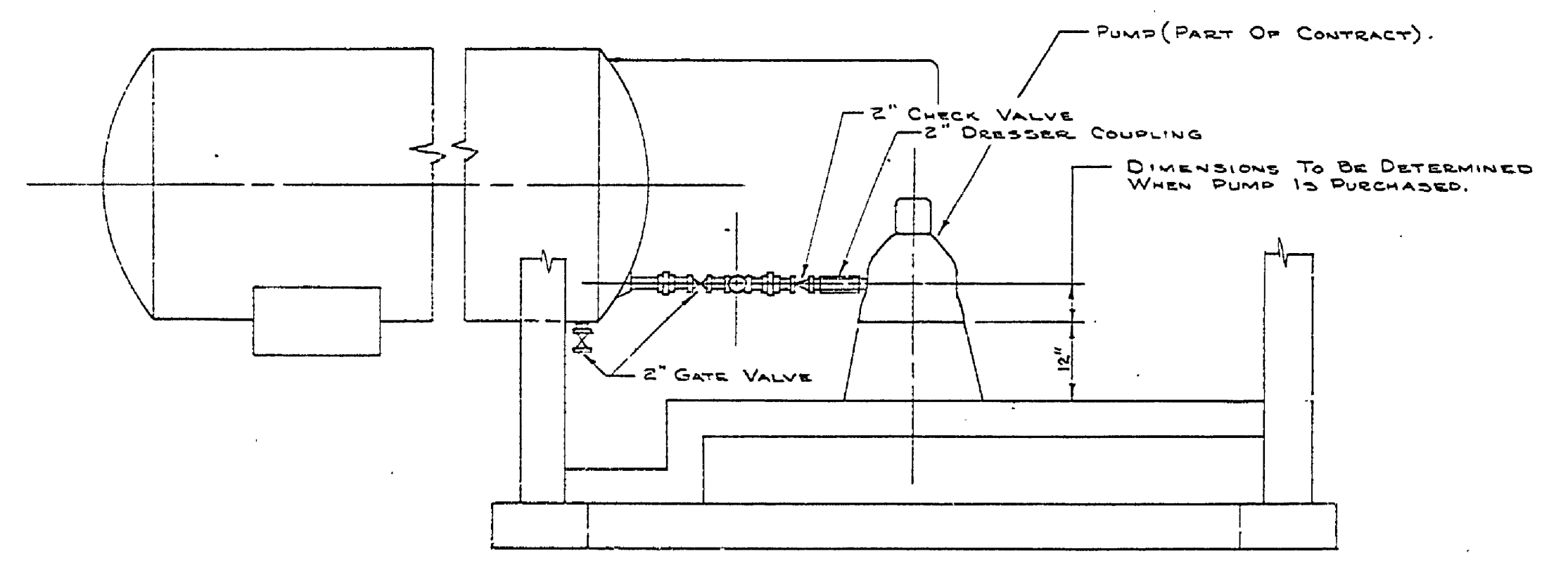
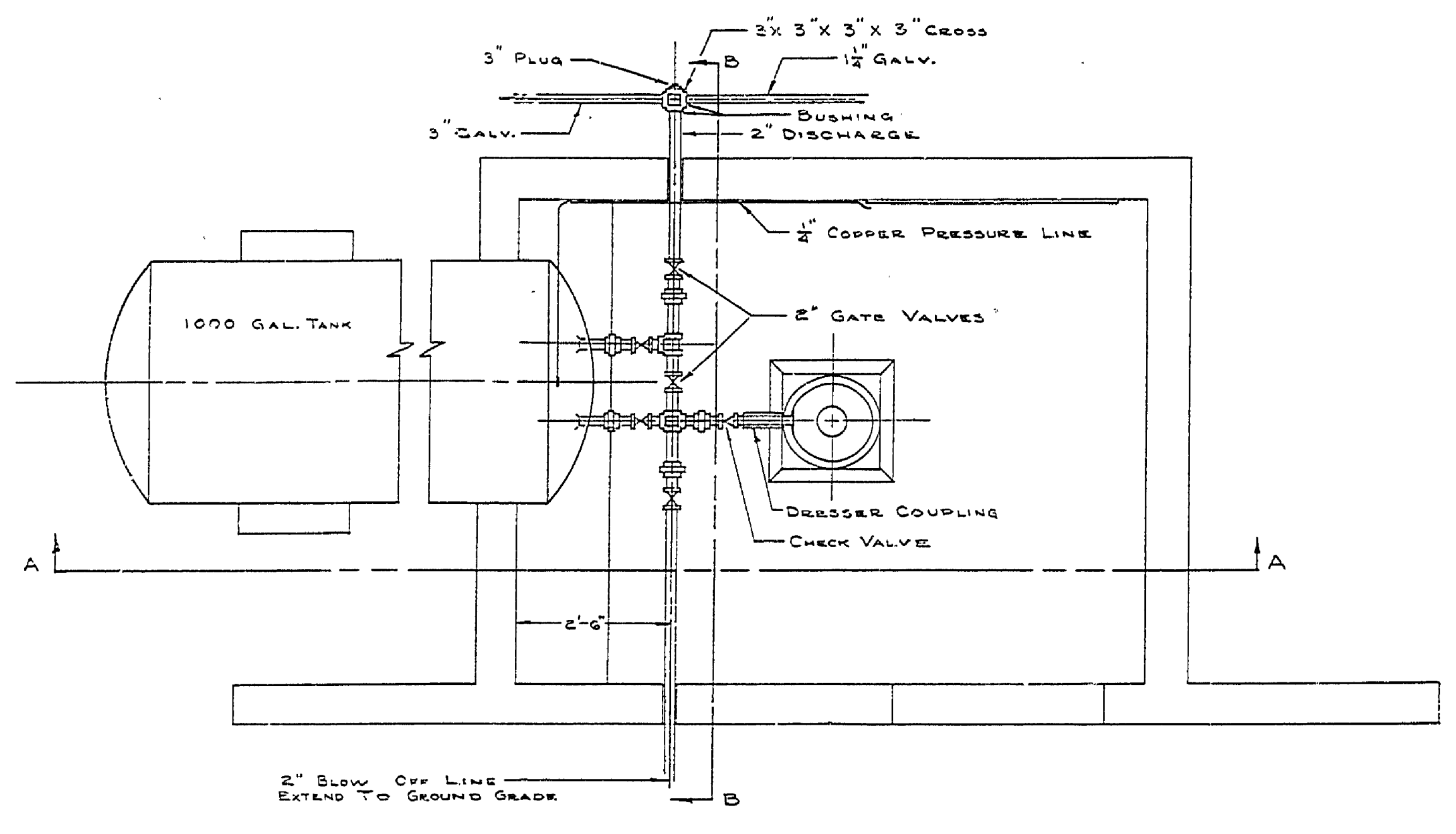


DESIGNED BY	DATE	REVIEWED	DATE	APPROVED	NO.	DATE	BY
B.H.G.	3-1-63	ARCHITECTURAL	3-5-63	<i>[Signature]</i>	1	3/1/63	
DRAWN BY	3-11-63	ENGINEERING	3-5-63	<i>[Signature]</i>	2		
CHECKED BY		LANDSCAPE	3-5-63	<i>[Signature]</i>	3		
					4		
					5		
					6		



PUMP HOUSE PIPING DETAILS
SCALE 1/2" = 1'-0"

MICHIGAN
DEPARTMENT OF CONSERVATION
PARKS AND RECREATION DIVISION

FAYETTE STATE PARK
WATER DISTRIBUTION SYSTEM

SHEET
NO. 4
OF 5
PLAN NO.
E-100

VOID