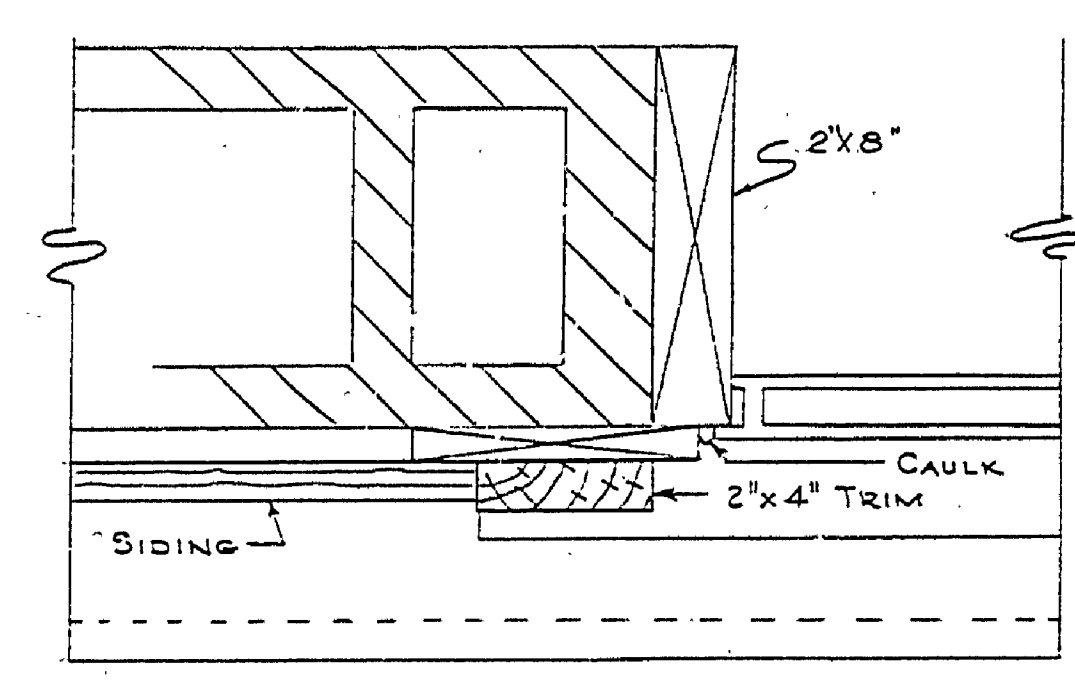
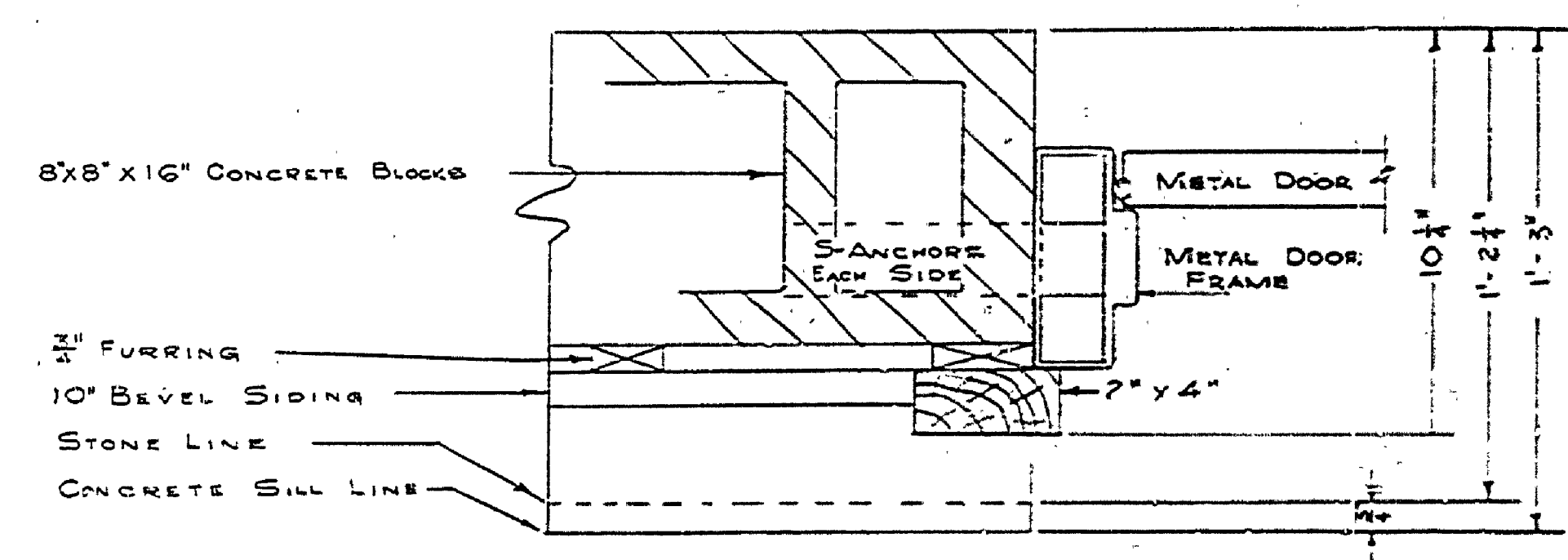


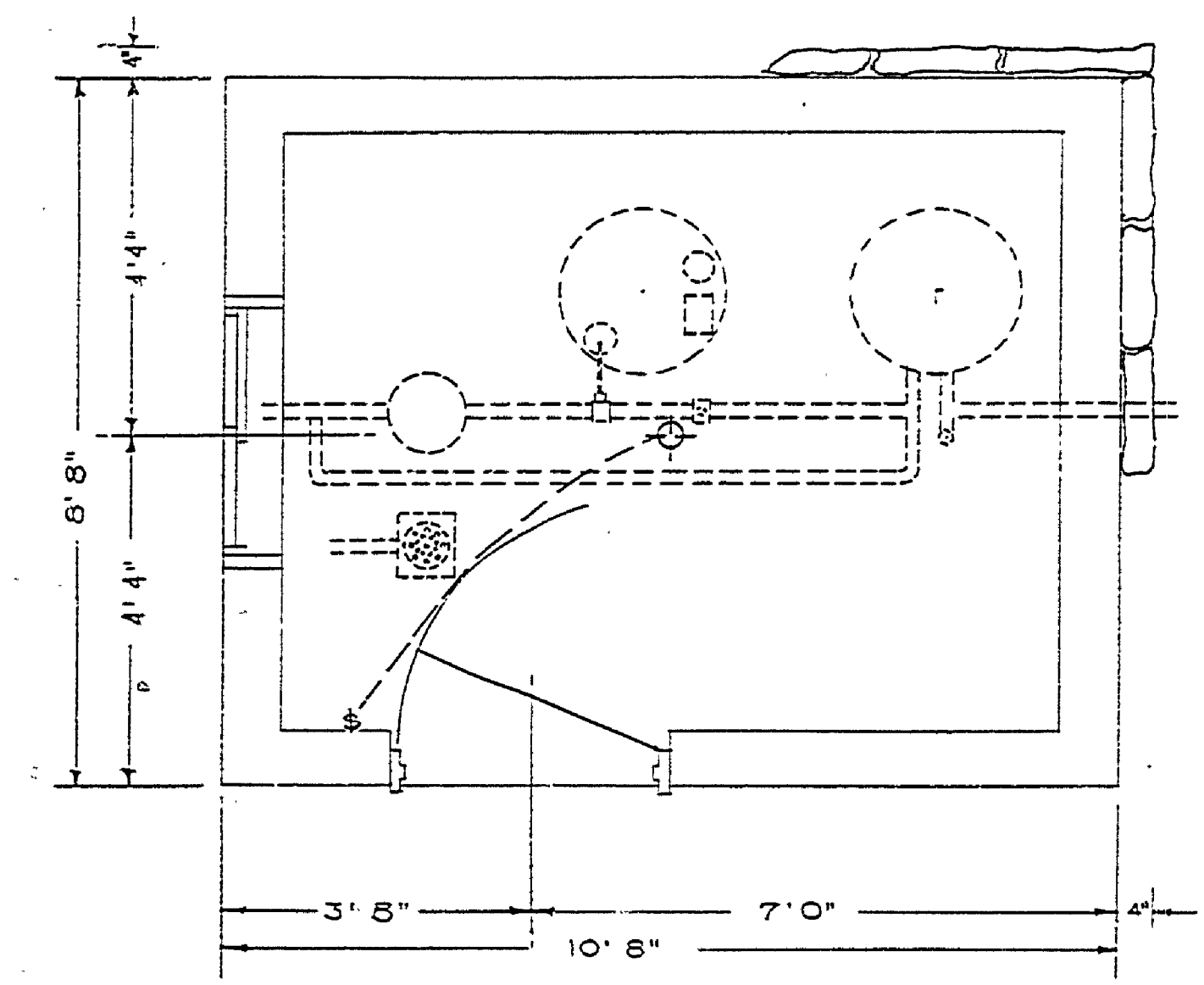
DESIGNED BY	R.R.	DATE	FEB '65	REVIEWED	ARCHITECTURAL	APPROVED		REVISIONS	
DRAWN BY	RB & DC				ENGINEERING			4	
CHECKED BY					LANDSCAPE			5	
								6	



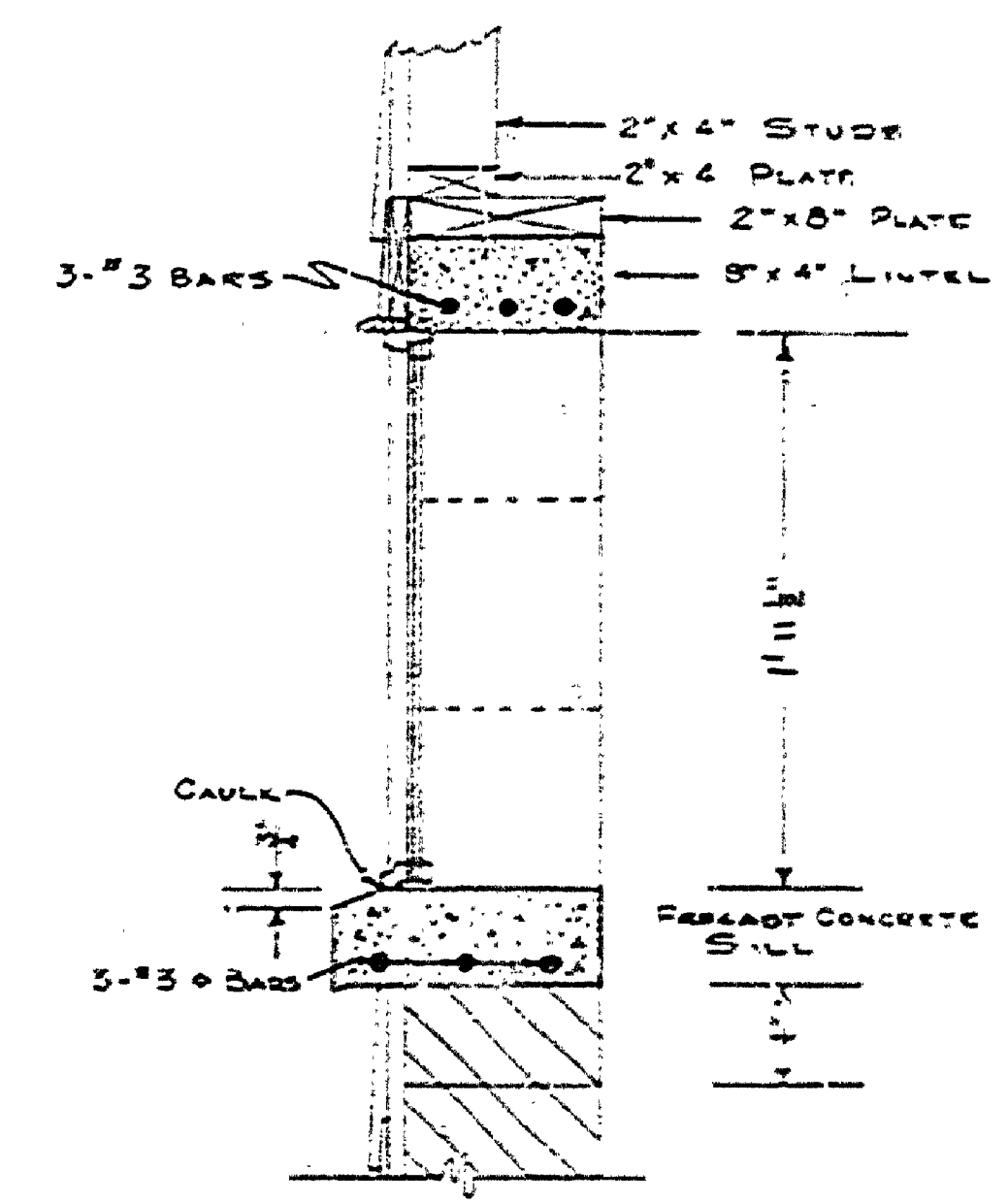
WINDOW JAMB AND HEAD
SCALE 3" = 1'-0"



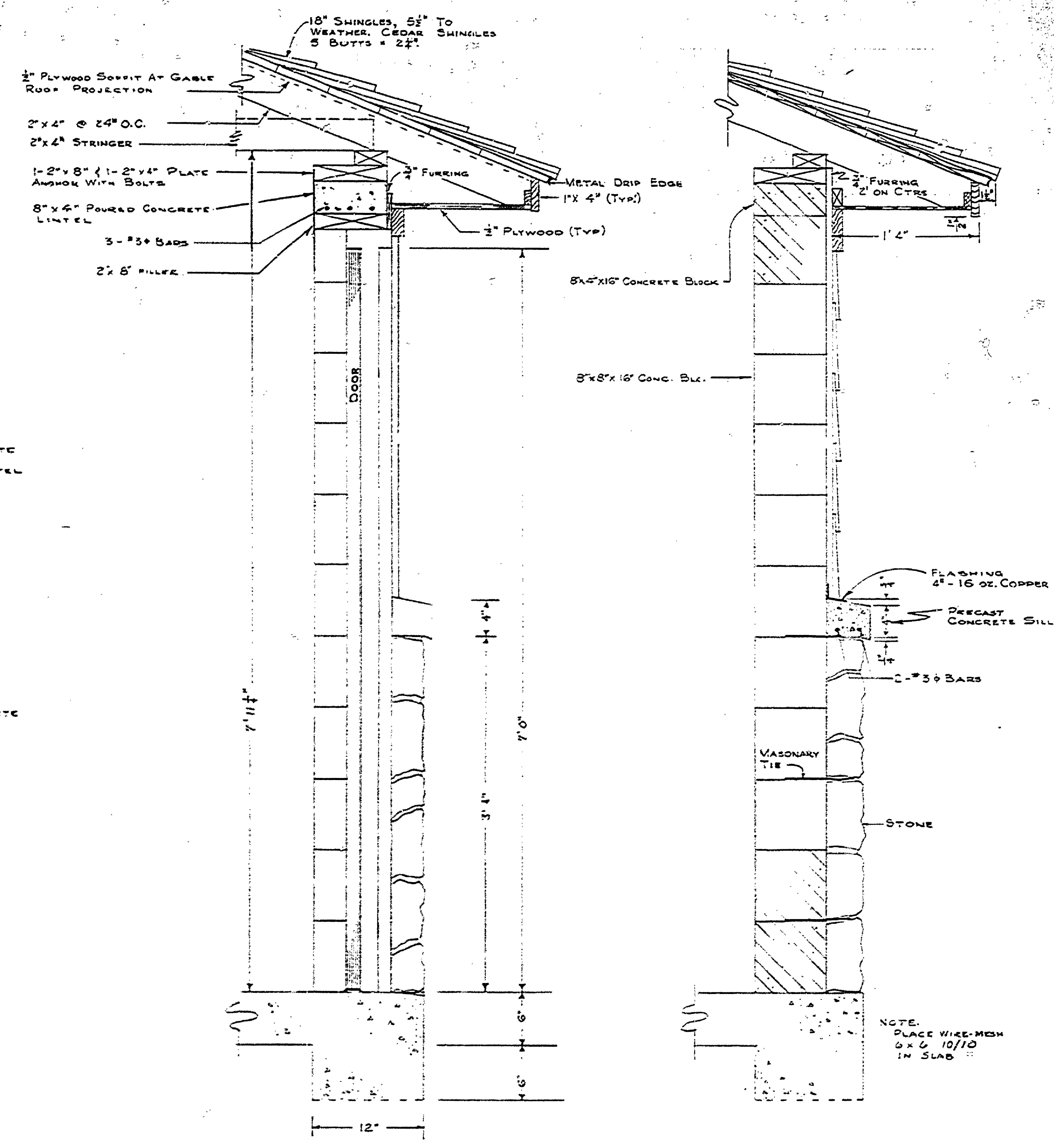
DOOR JAMB AND HEAD
SCALE 3" = 1'-0"



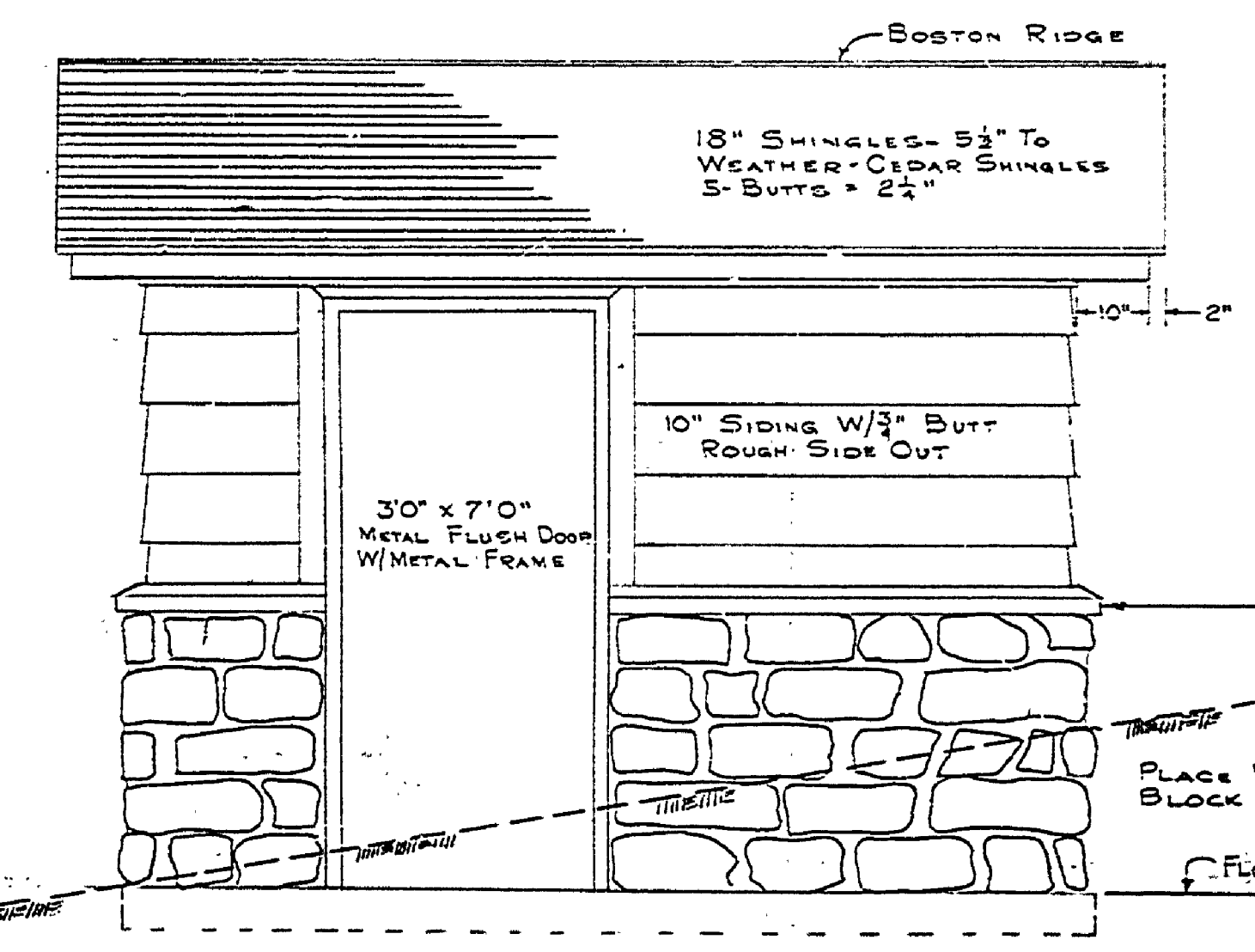
PLAN
SCALE 2" = 1'-0"



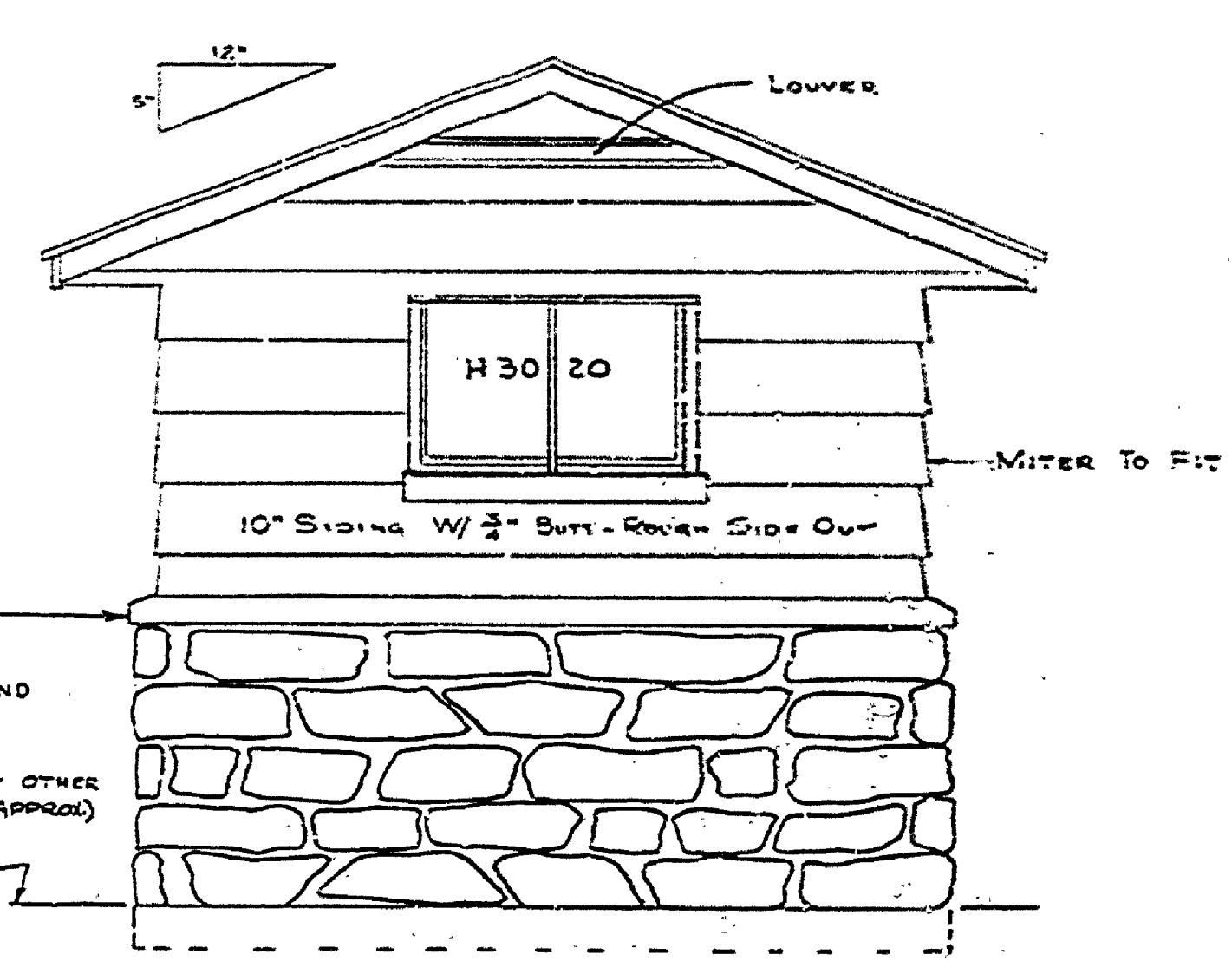
WINDOW SECTION
END WALL
SCALE 3" = 1'-0"



WALL SECTIONS
SCALE 1/2" = 1'-0"



FRONT ELEVATION
SCALE 2" = 1'-0"



WEST ELEVATION
SCALE 2" = 1'-0"

NOTE:
USE 2" X 4" STUDS
IN GABLE ENDS

NOTE:
PLACE WIRE-MESH
6 X 6 @ 10/10
IN SLAB

CONSERVATION COMMISSION APPROVAL

DESIGNER: *A. J. ...* DATE: *2-26-65*

RECOMMENDED FOR APPROVAL: *E. J. ...* DATE: *2-26-65*

SECTION APPROVAL: *...* DATE: *4/65*

MICHIGAN DEPARTMENT OF CONSERVATION

APPROVED: *...* DATE: *4/65*

PLAN NO. PROJECT NUMBER SHEET OF

MICHIGAN DEPARTMENT OF CONSERVATION
PARKS AND RECREATION DIVISION

FAYETTE STATE PARK
WATER PUMPHOUSE

SHEET NO. 1 OF 3
PLAN NO. E-103