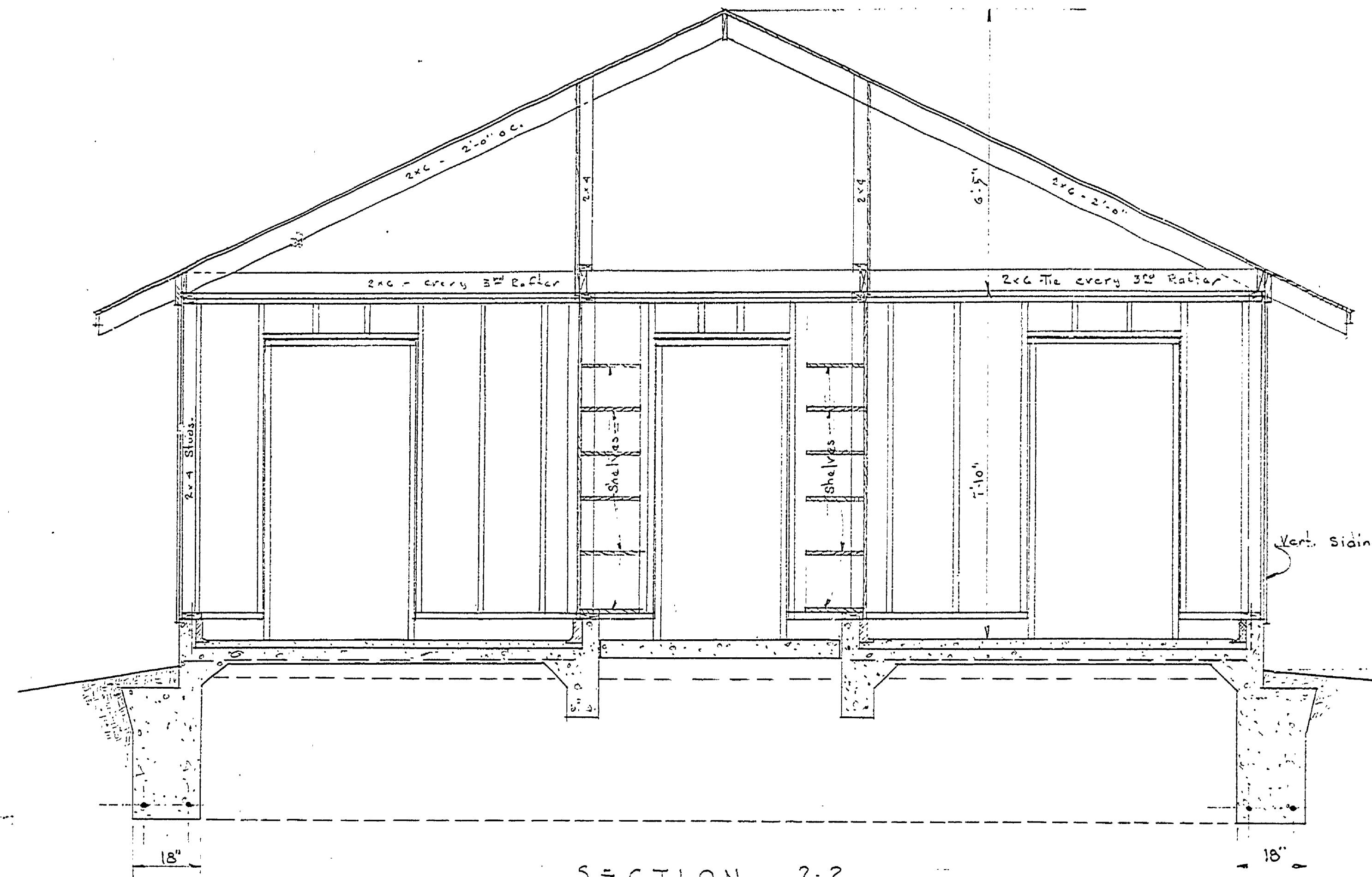


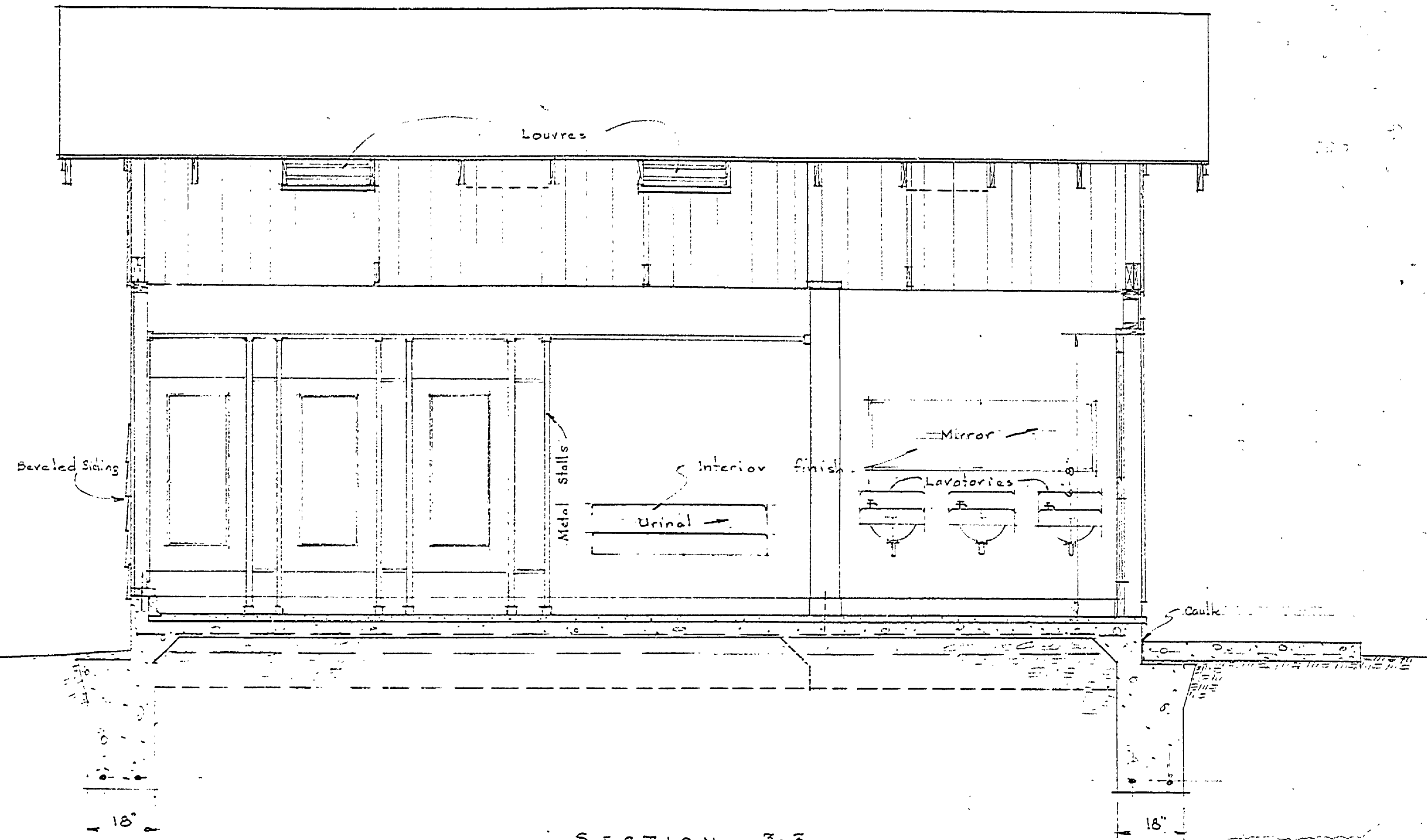
REVISIONS	NO.	DATE	BY
	1		
	2		
	3		
	4		
	5		
	6		

APPROVED BY	DATE	REVIEWED BY SECTIONS
<i>[Signature]</i>	8/31/48	B.K.
ASSISTANT CHIEF IN CHARGE	DATE OF DESIGN	ENGINEERING
H.C.M.	9-2-48	H.C.M.
		LANDSCAPE

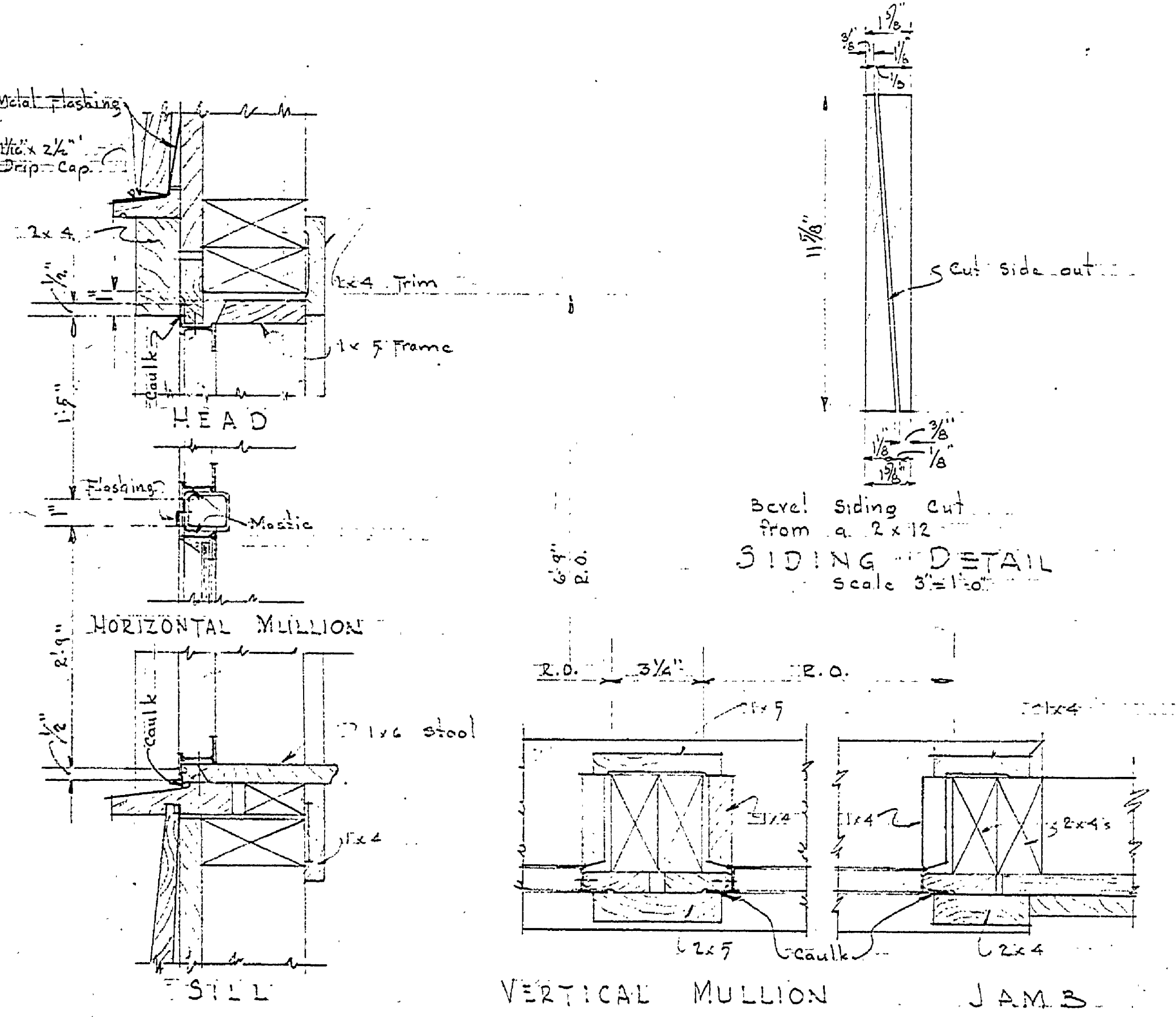
DRAWN BY	CHECKED BY	DATE
J.W.T.	B.K.	9-3-48
TRACED BY		



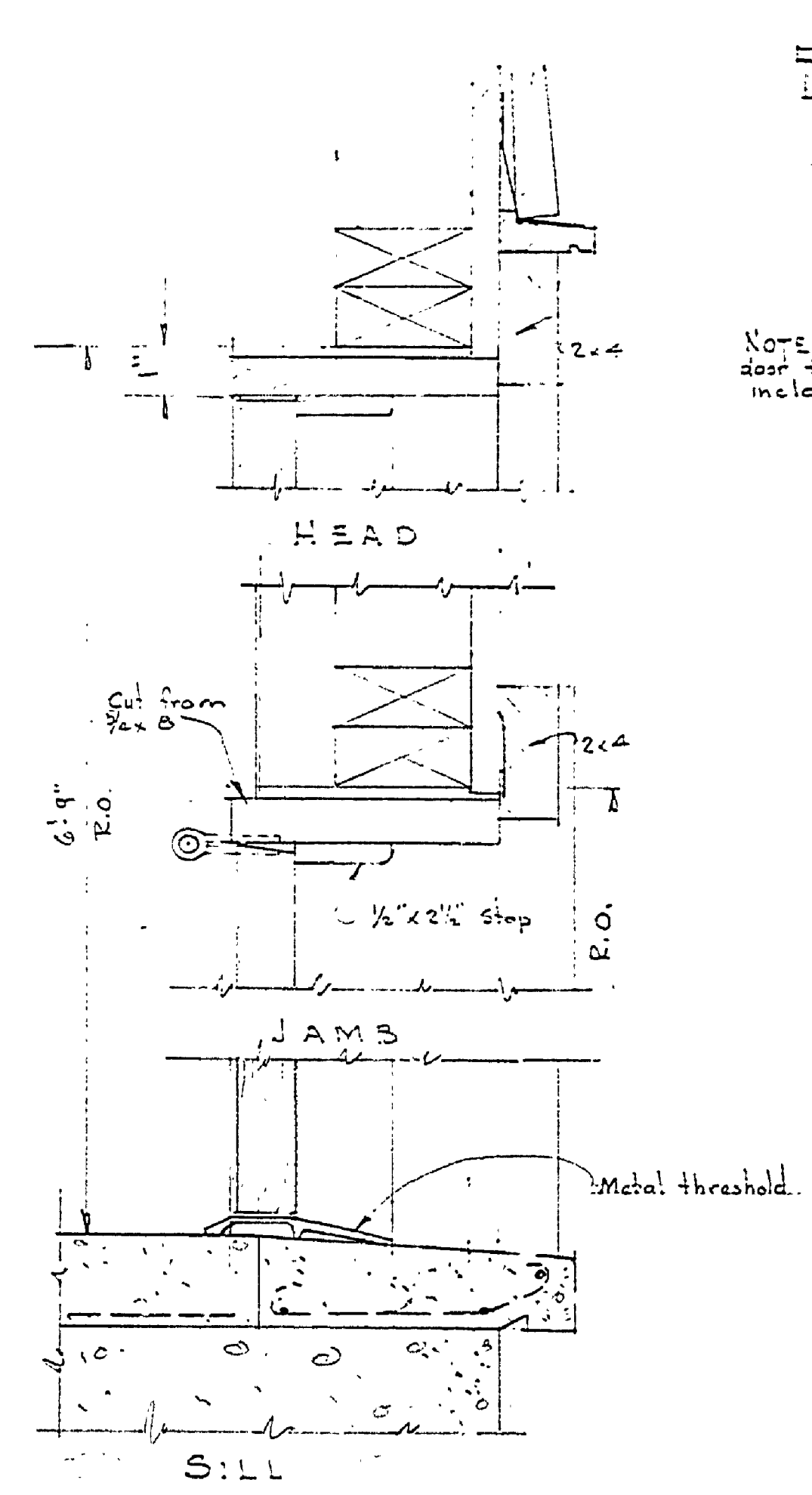
SECTION 2-2
Scale 1/2" = 1'-0"



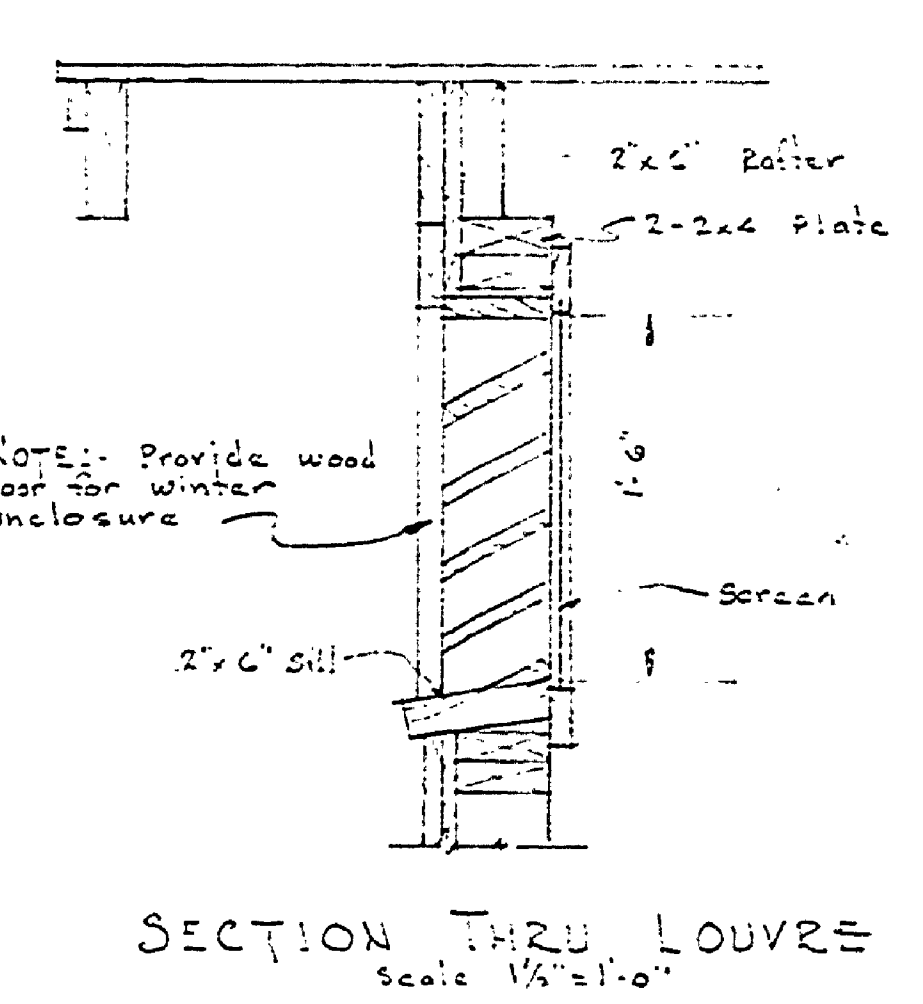
SECTION 3-3
Scale 1/2" = 1'-0"



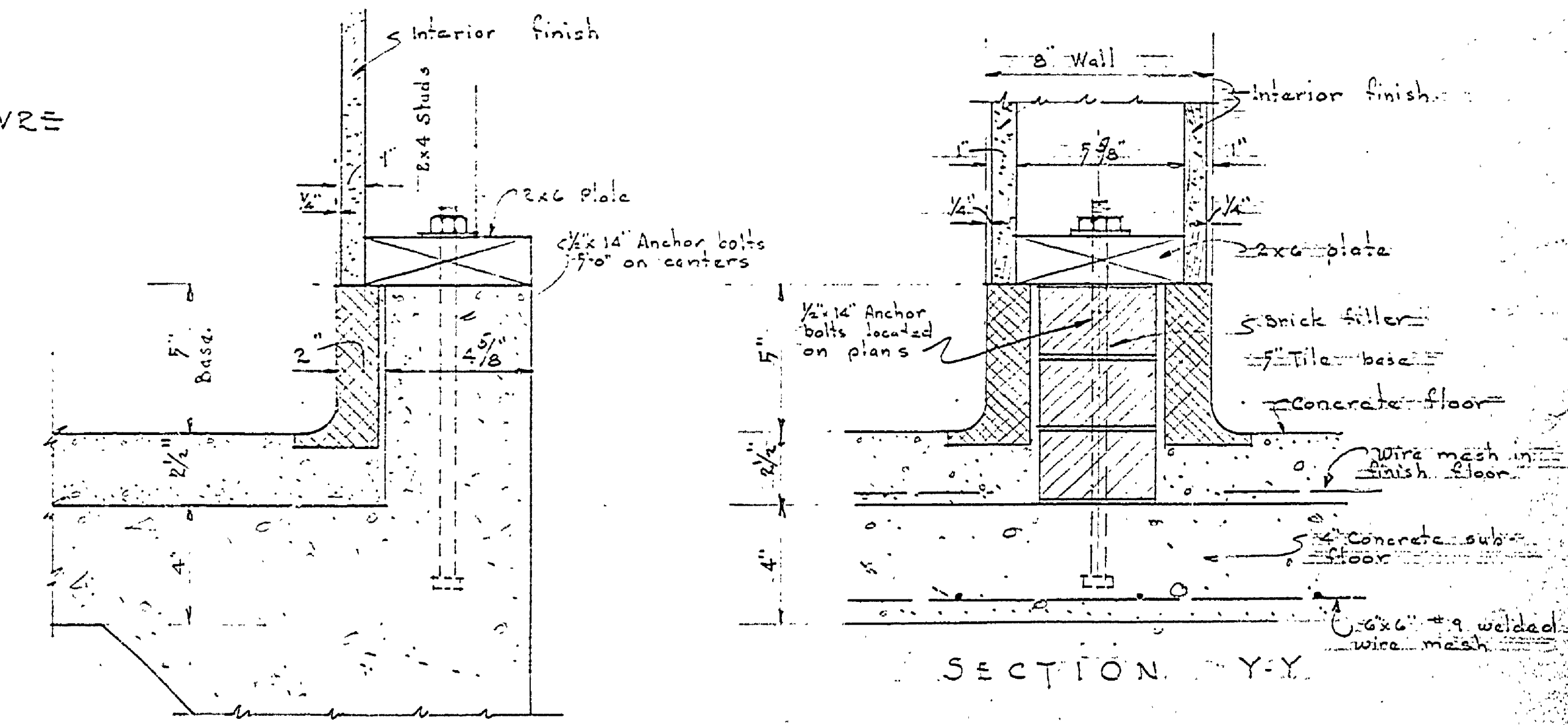
WINDOW DETAILS
Scale 3/8" = 1'-0"



DOOR DETAILS
Scale 3/8" = 1'-0"



SECTION THRU LOUVRE
Scale 1/2" = 1'-0"



SECTION X-X
DETAIL OF TILE BASE
Scale 3/8" = 1'-0"

MICHIGAN
DEPARTMENT OF CONSERVATION
PARKS AND RECREATION DIVISION

FORT WILKINS STATE PARK
TEMPORARY TOILET BUILDING

SHEET
NO. 2
OF 2

PLAN NO.
A112