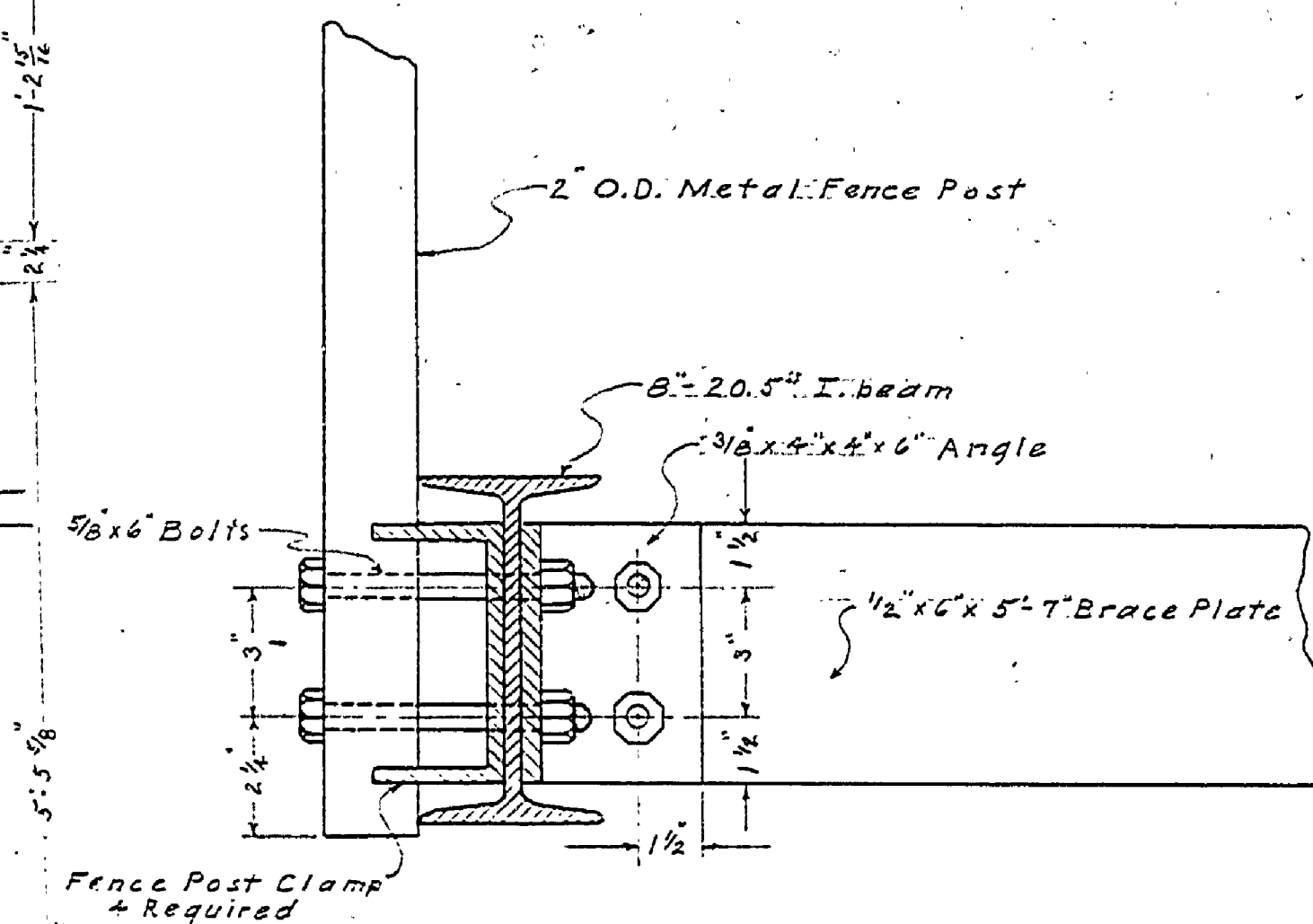
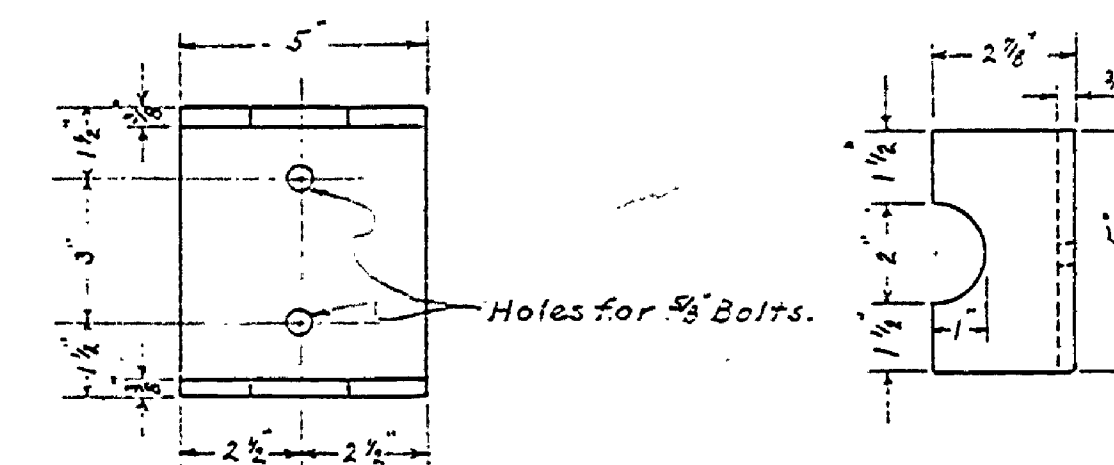


PLAN OF FOOTBRIDGE

SCALE 1/2"=1'-0"



DETAIL OF POST & BRACE PLATE CONNECTION  
SCALE 3/4"=1'-0"

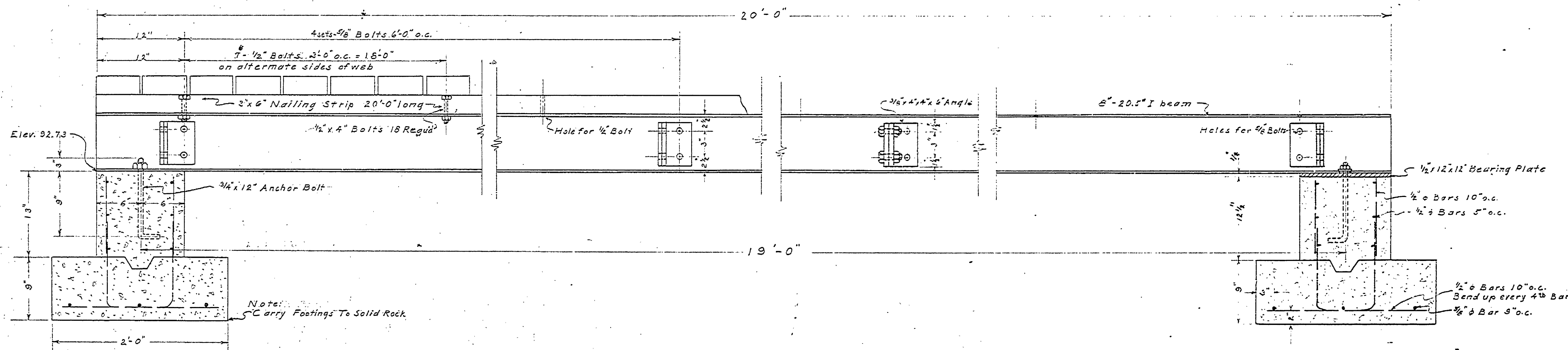


FRONT VIEW

TOP VIEW

DETAIL OF POST CLAMP

SCALE 3/4"=1'-0"



SECTION OF FOOT BRIDGE

SCALE 1/2"=1'-0"

MICHIGAN DEPARTMENT OF CONSERVATION STATE PARKS DIVISION			
DESIGNED BY	FORT WILKINS STATE PARK	PLAN NO.	Sheet 2 of 3
DRAWN BY	E. J. T.	SCALE	AS SHOWN
CHECKED BY	MINE SHAFT NO. 1	DATE	Nov. 21, 1941
PREPARED AND APPROVED BY	<i>[Signature]</i>	DATE	12/11/41
APPROVED BY	INSPECTOR	DATE	

E-103

E-103 H