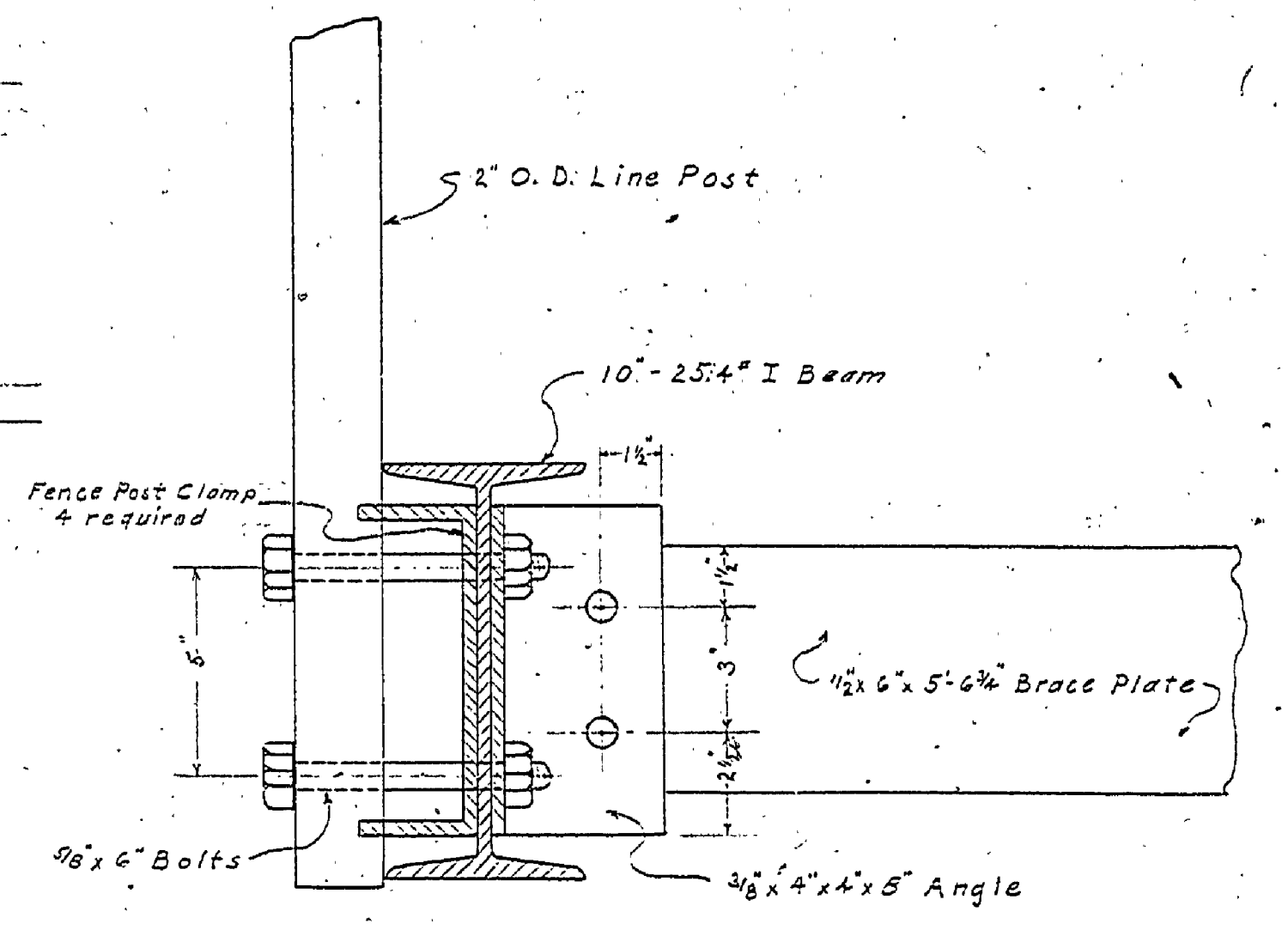
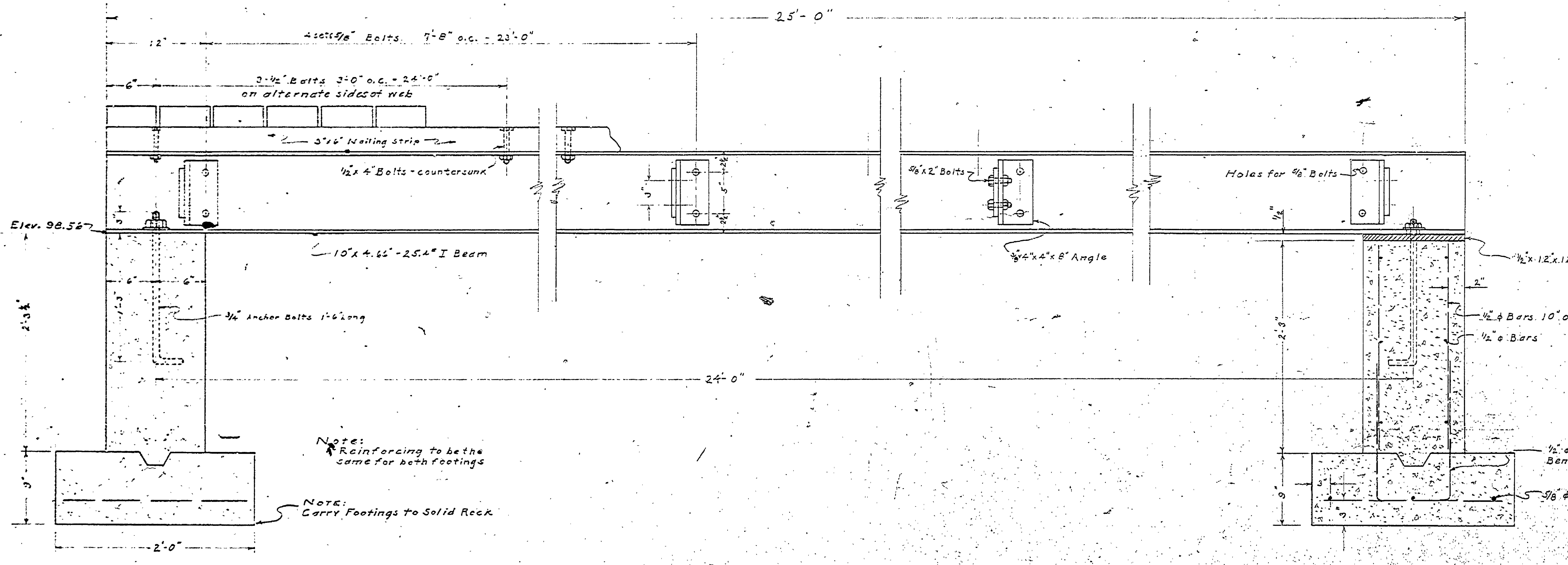


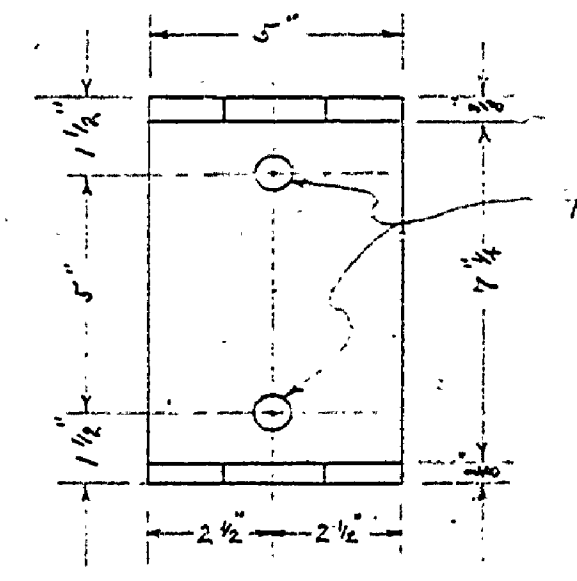
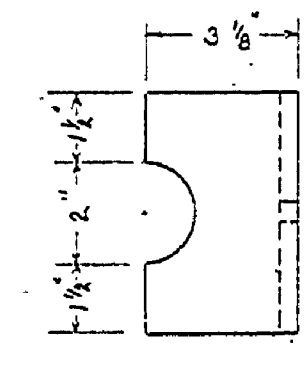
PLAN OF FOOTBRIDGE  
Scale 1/2" = 1'-0"



DETAIL OF POST & BRACE CONNECTION  
Scale 3" = 1'-0"



SECTION OF FOOTBRIDGE  
Scale 1/2" = 1'-0"



DETAIL OF POST CLAMP  
Scale 3" = 1'-0"

Note: Reinforcing to be the same for both footings  
Note: Carry Footings to Solid Rock

MICHIGAN DEPARTMENT OF CONSERVATION STATE PARKS DIVISION		
DESIGNED BY: E. J. P.	FORT WILKINS STATE PARK	PLAN NO.
DRAWN BY: E. J. P.	FOOTBRIDGE OVER	SCALE AS SHOWN
CHECKED BY: M. NEESHAFT	NO. 3	DATE: Nov. 21, 1941
PREPARED AND APPROVED BY: [Signature]	CHIEF STATE PARKS DIVISION	DATE: 11/1/41
APPROVED BY: [Signature]	INSPECTOR	DATE:

E-103 B

E-103 B