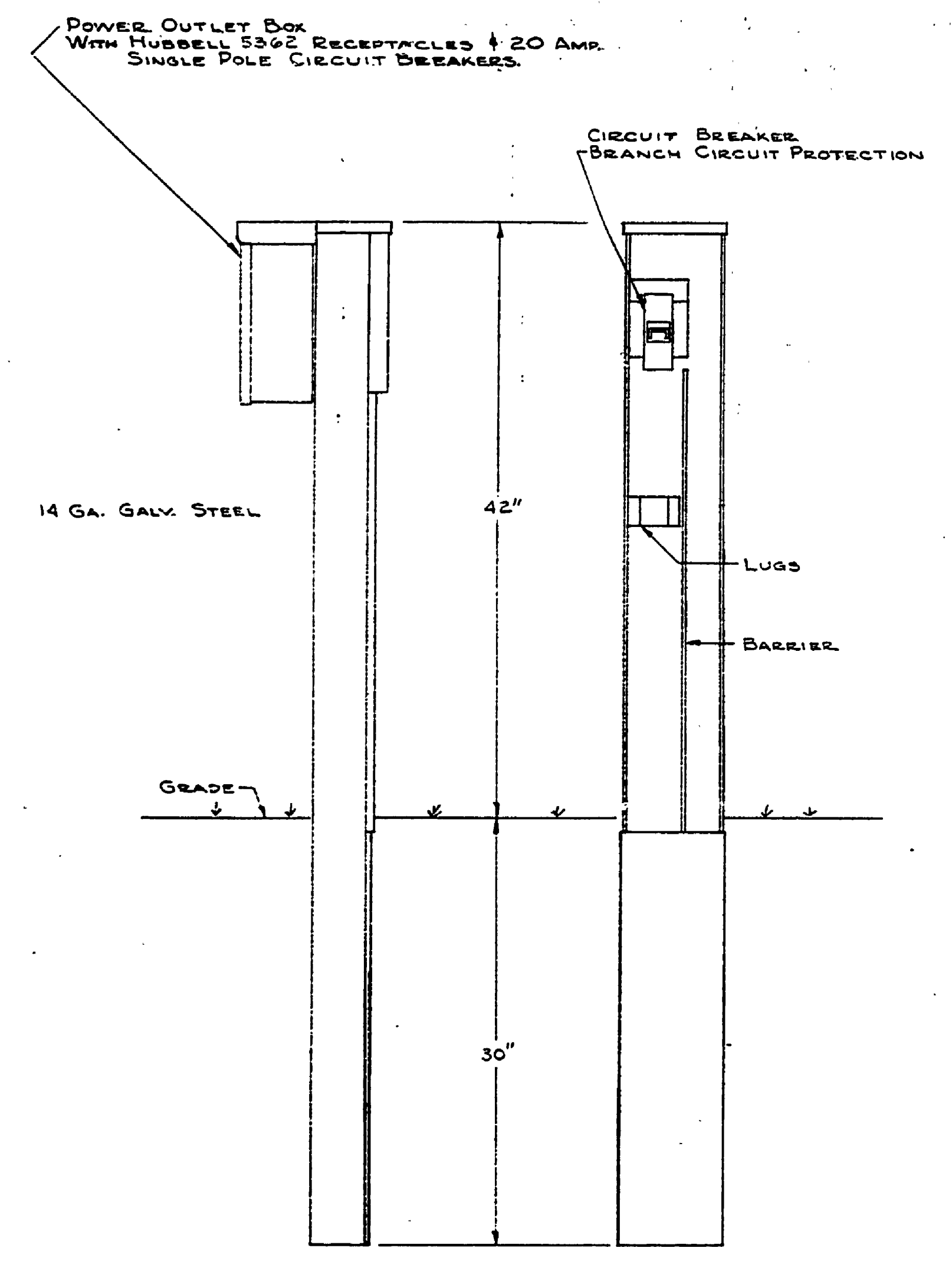
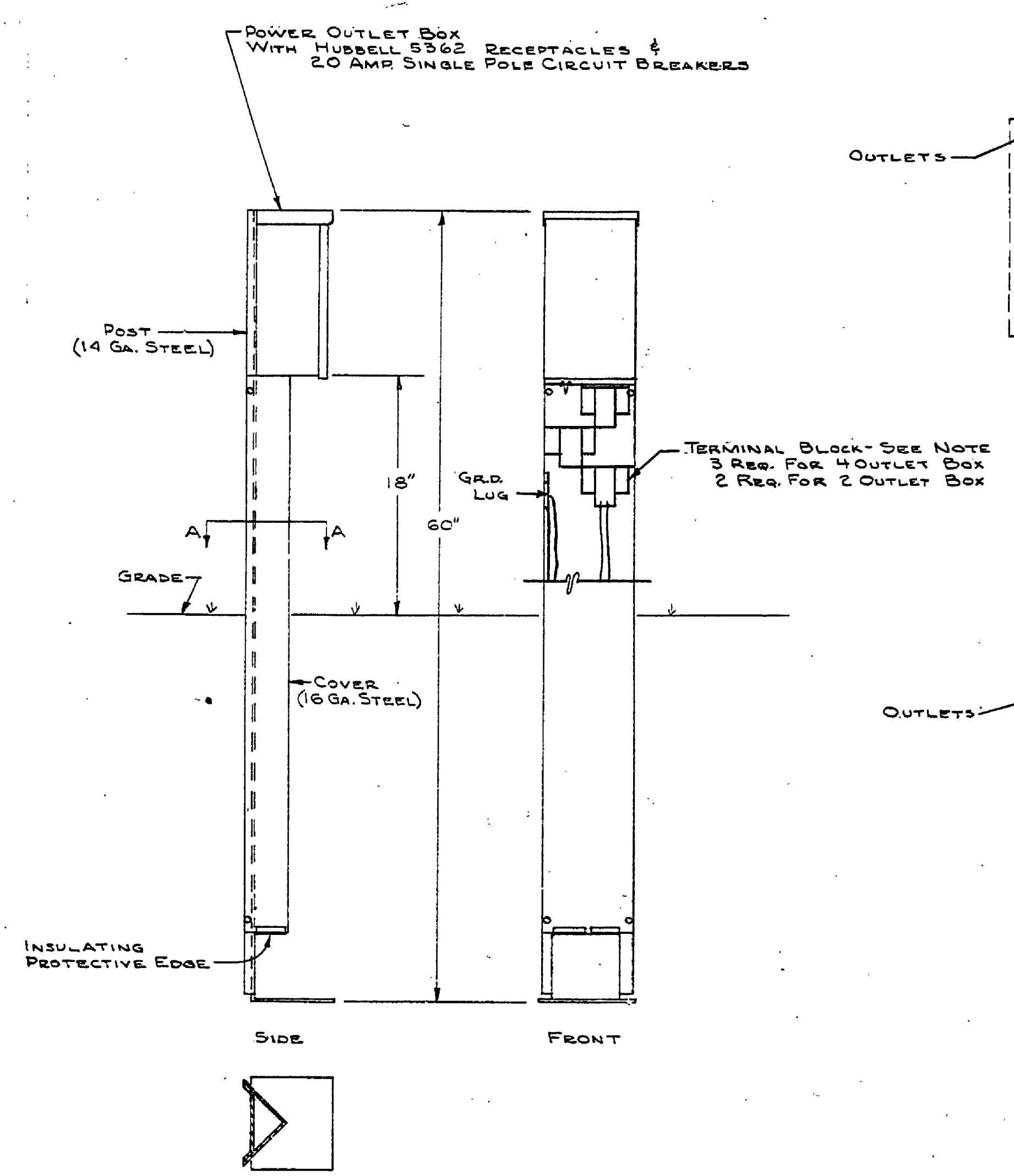


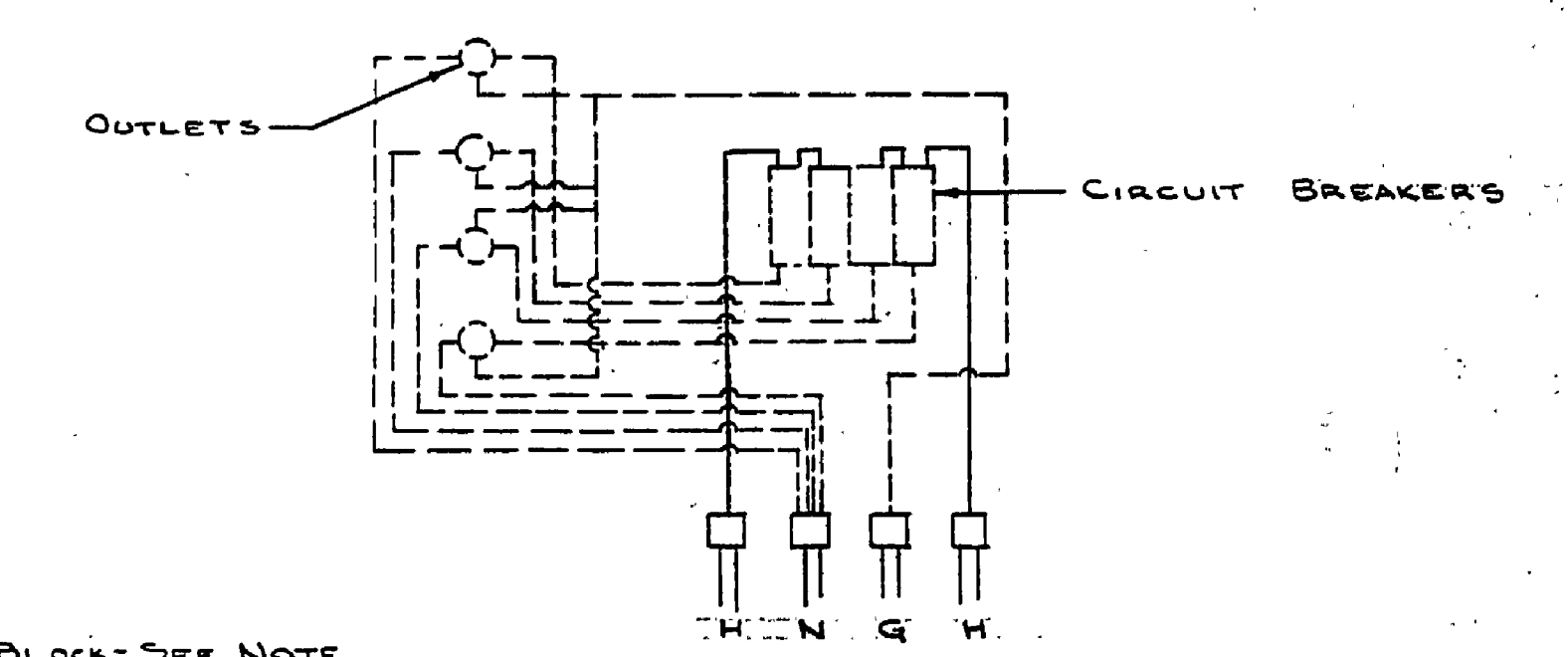
SIDE  
 READ (COVER REMOVED)  
**ENTRANCE POST**  
 WITH METER AND MAIN DISCONNECT



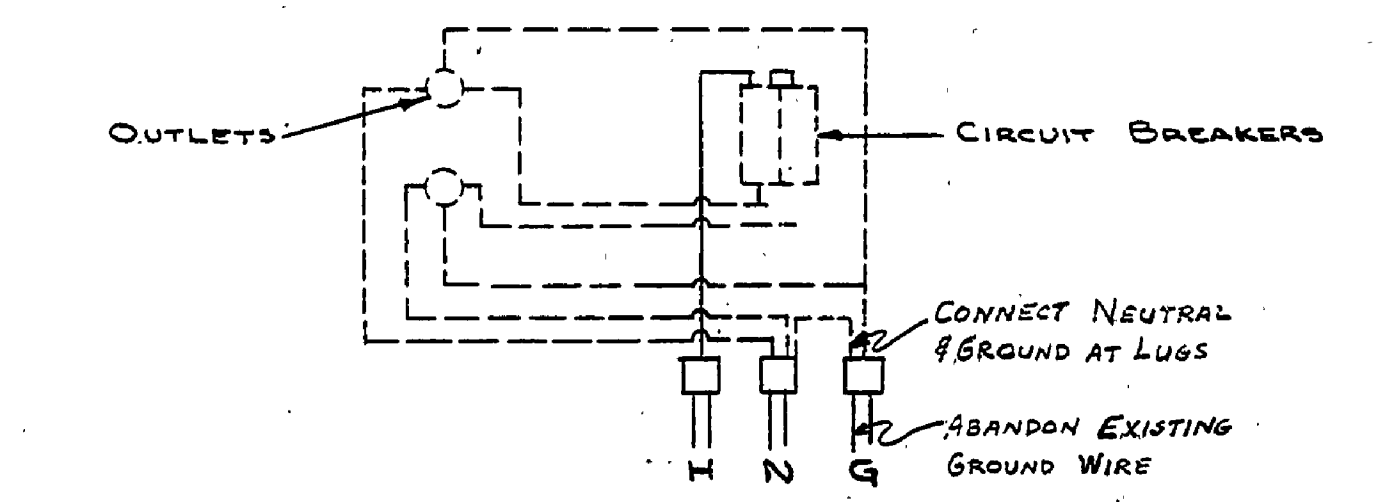
SIDE  
 READ (COVER REMOVED)  
**JUNCTION POST**  
 WITH OUTLET BOX & BRANCH CIRCUIT PROTECTION



SECTION A-A  
**MOUNTING POST**  
 WITH OUTLET BOX



**WIRING DIAGRAM**  
 FOR 3 & 4 OUTLET BOXES



**WIRING DIAGRAM**  
 FOR 2 OUTLET BOX

NOTE: THESE POSTS ARE DESIGNED TO PERMIT LOOPING OF CABLE FROM ONE UNIT TO THE NEXT. SPlicing TO BE DONE IN POST. LUGS ARE PROVIDED TO RECEIVE UP TO #4/0 WIRE. GROUND #6 BARE TO EQUIPMENT GROUND PROVIDED ON POST.

SURVEYED BY	DRAWN BY J. YPMA	Aug '66	NO.	DATE	BY	REVISIONS	NO.	DATE	BY	REVISIONS
DESIGNED BY W. J. POVET	Aug '66	1.	2-70	D.S.	AS BUILT		3.			
DATE	CHECKED BY	DATE	2.				4.			

MICHIGAN  
 DEPARTMENT OF CONSERVATION

STANDARD PLAN  
 UNDERGROUND SECONDARY  
 FOR CAMPGROUND

SHEET NO. \_\_\_ OF \_\_\_  
 FOR PROJECT NO. PA108-5124-300-060-C2

FORT WILKINS STATE PARK  
 SHEET 2 OF 3 PLAN NO. E105B