

REVISIONS	DATE	BY
1		
2		
3		
4		
5		
6		

NO	DATE	BY
1		
2		
3		

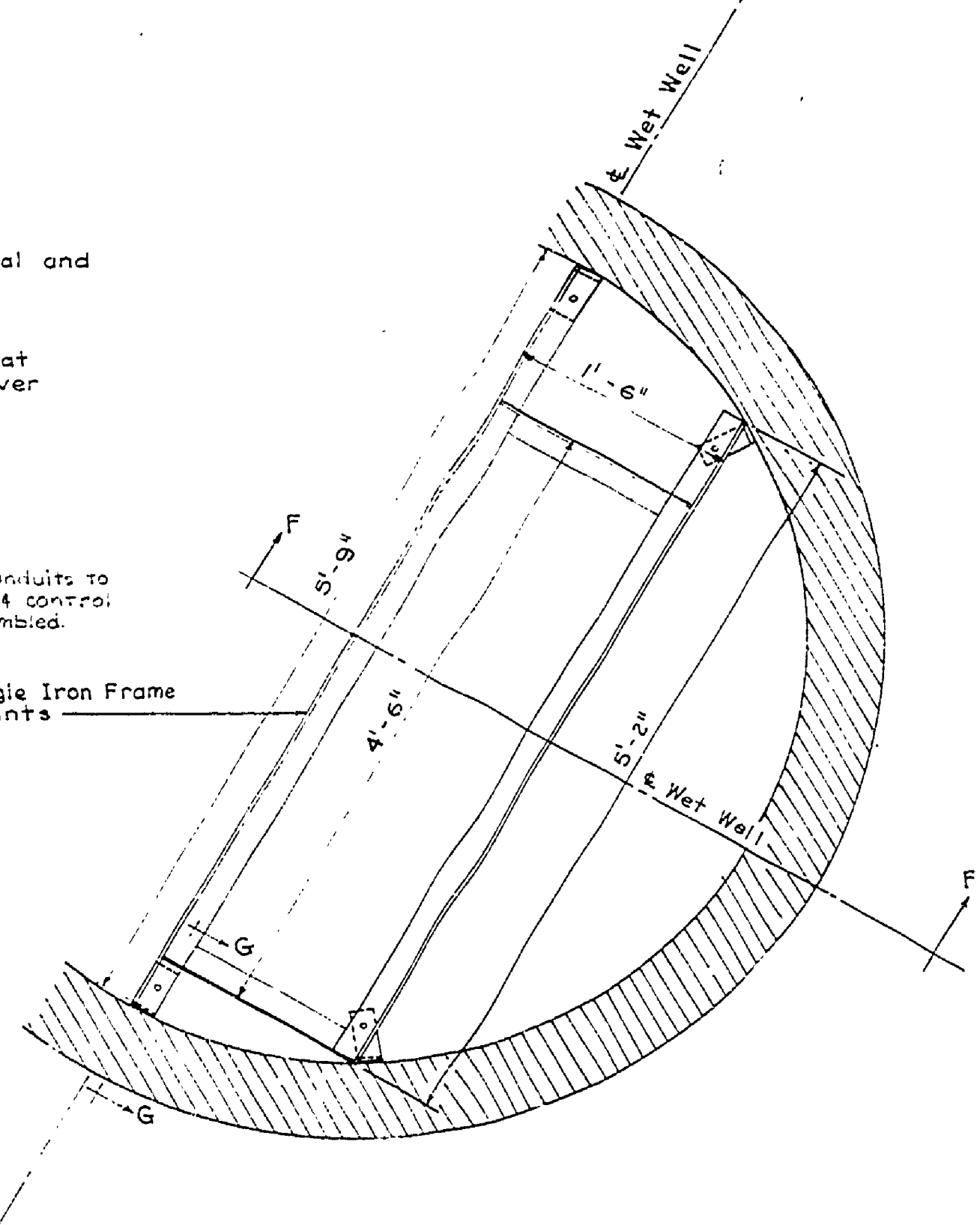
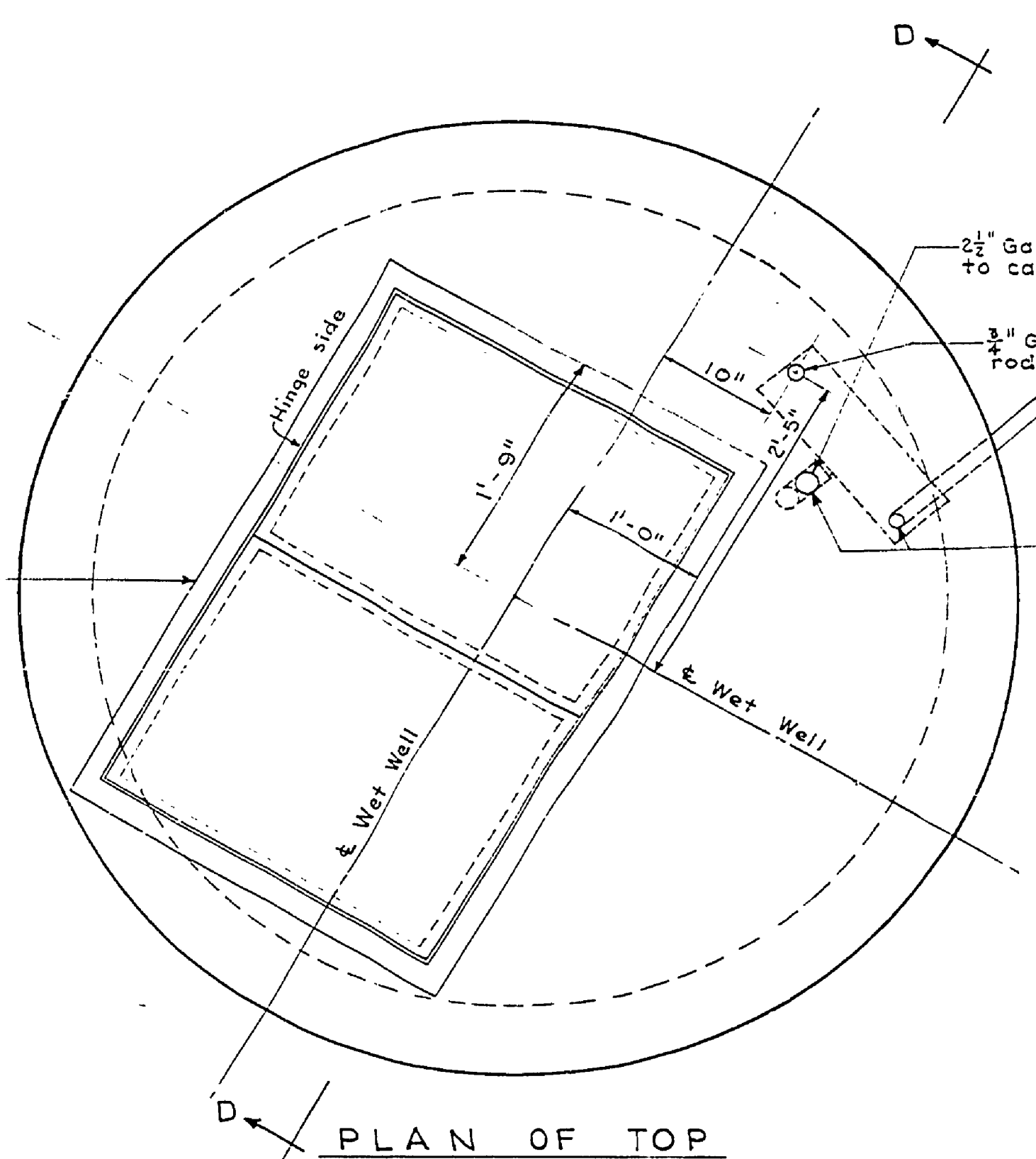
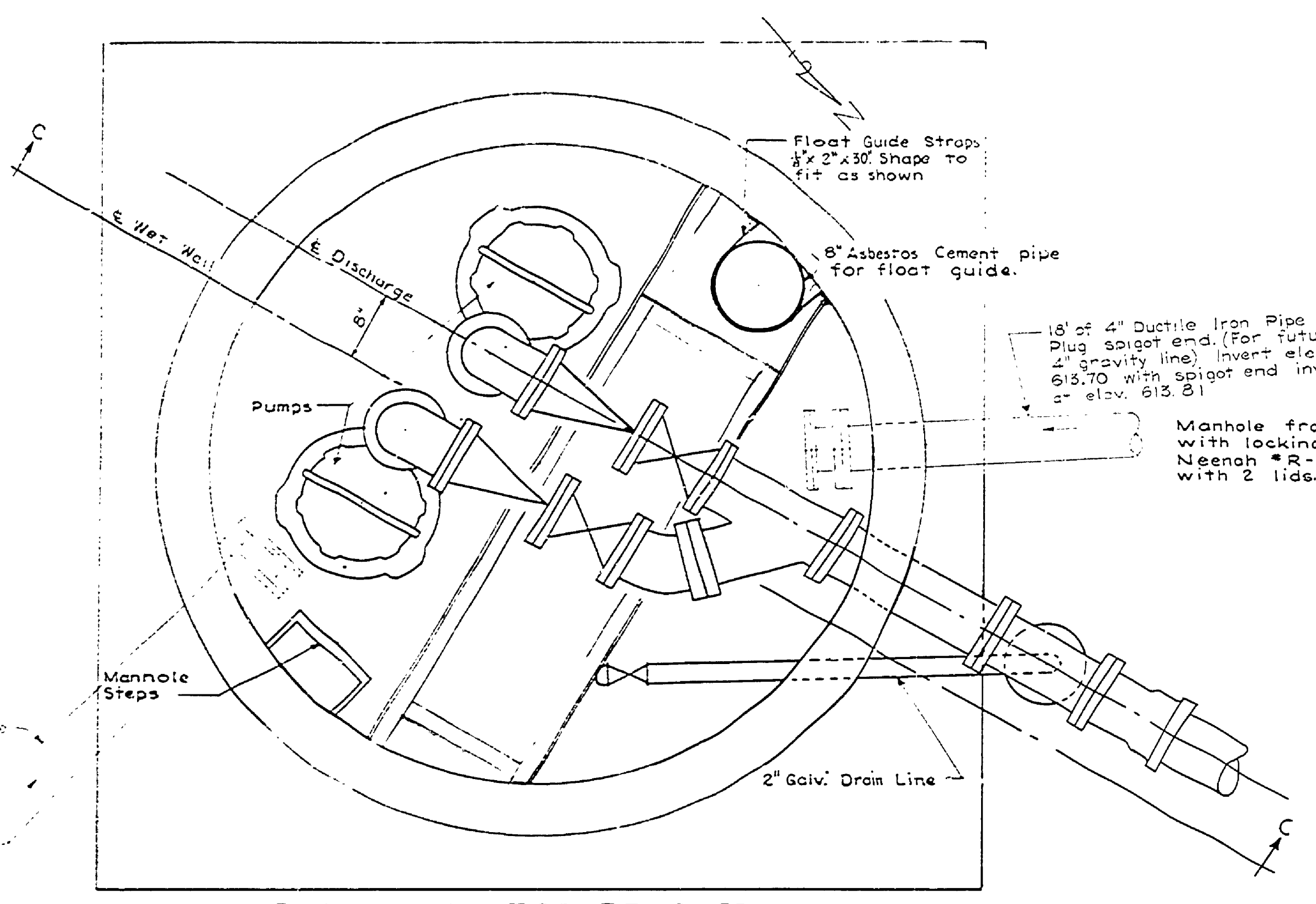
APPROVED BY	DATE

REVIEWED BY SECTIONS	DATE
ARCHITECTURAL	
ENGINEERING	
LANDSCAPE	

DRAWN BY	CHECKED BY	DATE

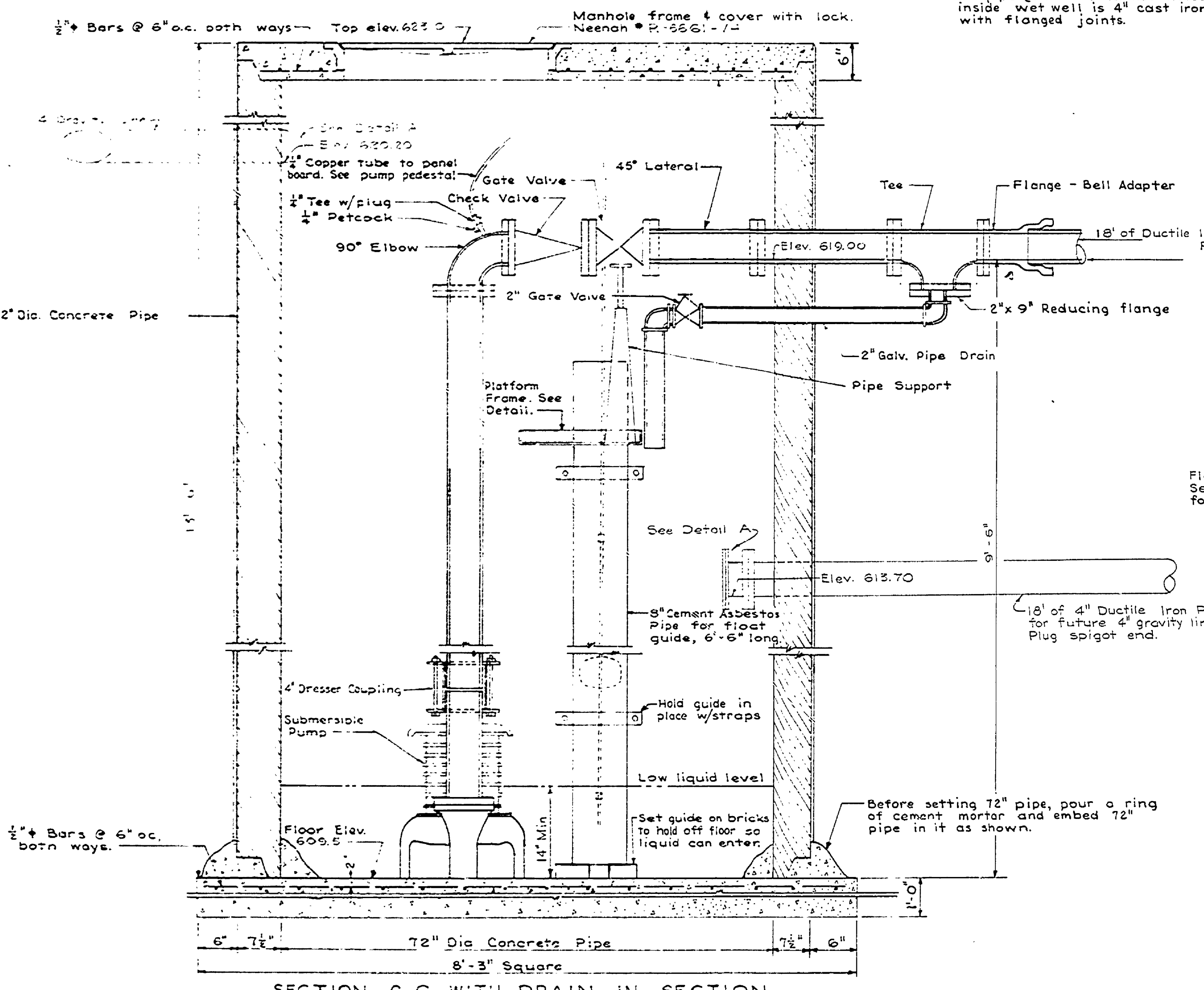


PLAN WITH TOP REMOVED

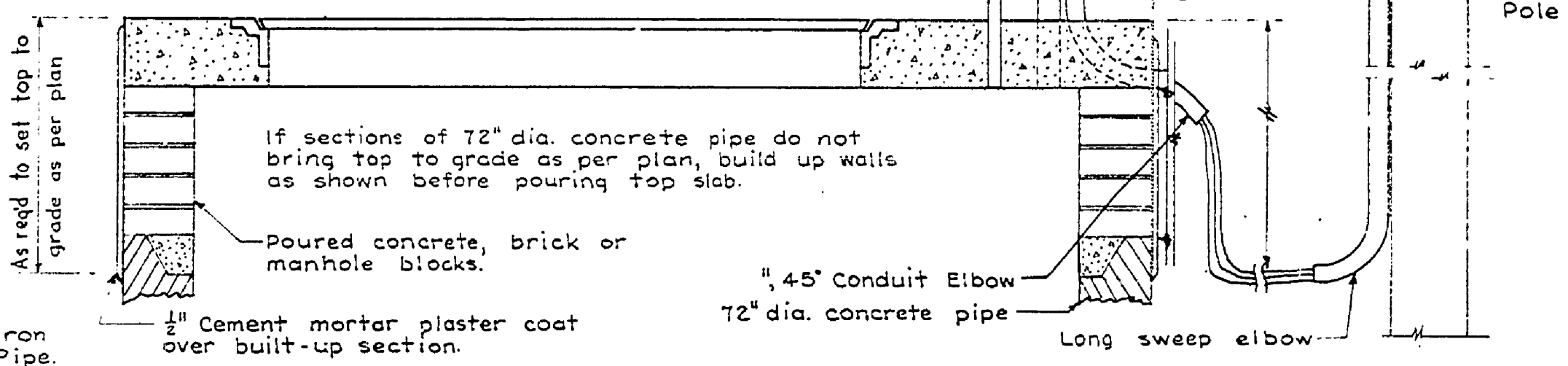
PLAN OF TOP

PLAN

NOTE: All pipe (unless otherwise noted) inside wet well is 4" cast iron with flanged joints.



SECTION C-C WITH DRAIN IN SECTION



SECTION D-D

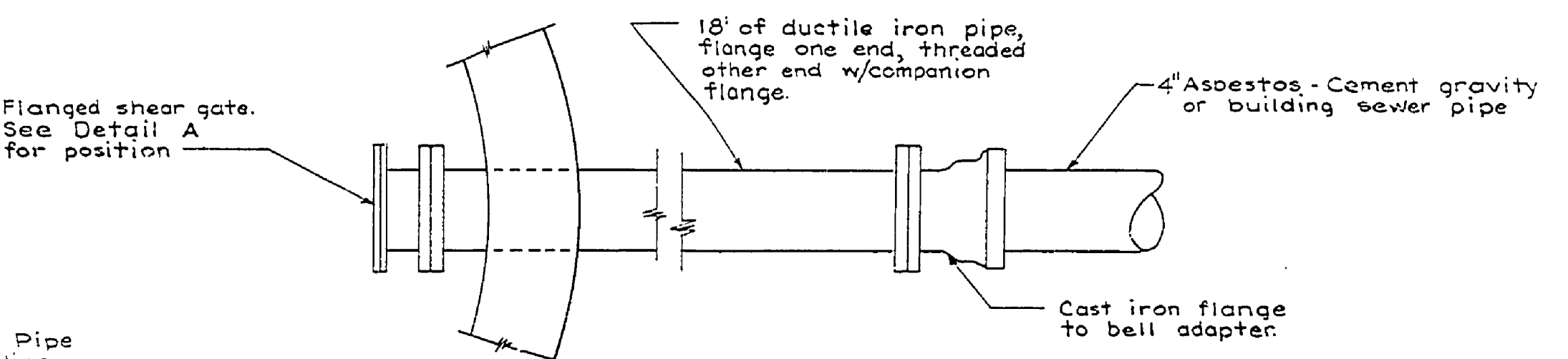
NOTE: Floor of platform is to be floor grating

2" x 2 1/2" x 13" long strap. Bend to form "L" as shown. Drill 1/2" holes in strap & anchor to wall with 1/2" lead anchors

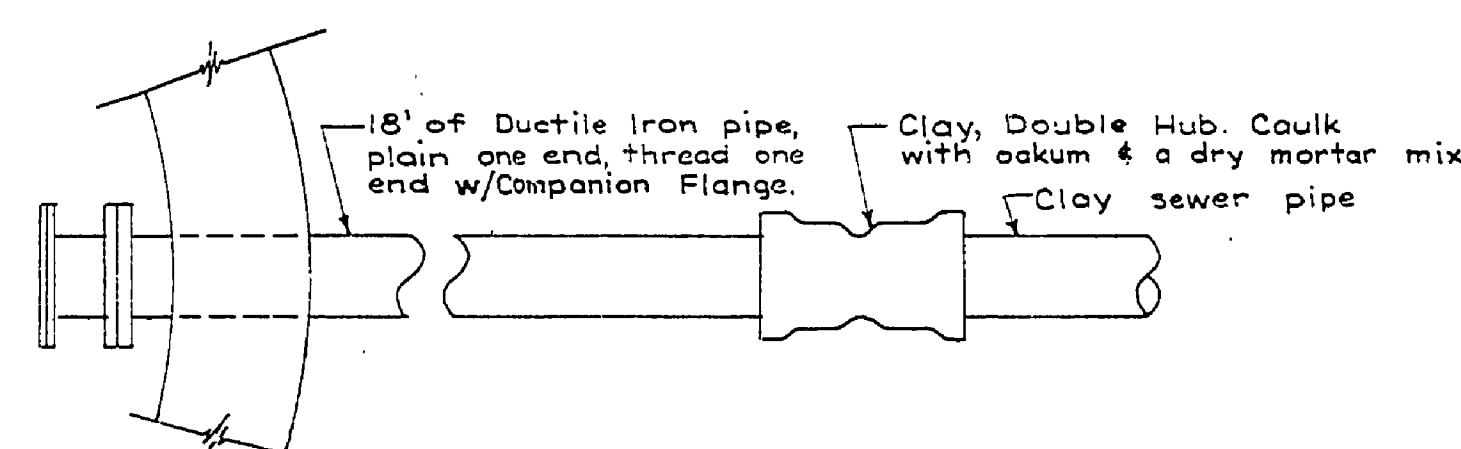
SECTION F-F

SECTION G-G

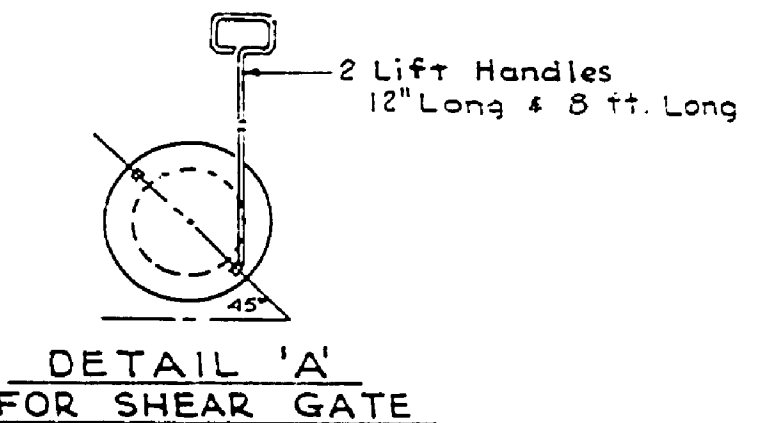
PLATFORM DETAILS



DETAIL OF CONNECTION TO ASBESTOS-CEMENT SEWER PIPE (Not to scale)



DETAIL OF CONNECTION TO CLAY SEWER PIPE



DETAIL 'A' FOR SHEAR GATE

WET WELL AND PUMP STATION

MICHIGAN DEPARTMENT OF CONSERVATION PARKS AND RECREATION DIVISION

FORT WILKINS STATE PARK CAMPGROUND SEWER SYSTEM

SHEET NO. 3 OF 6

PLAN NO. E-107

976-006-4-C1

SHEET 10 OF 16