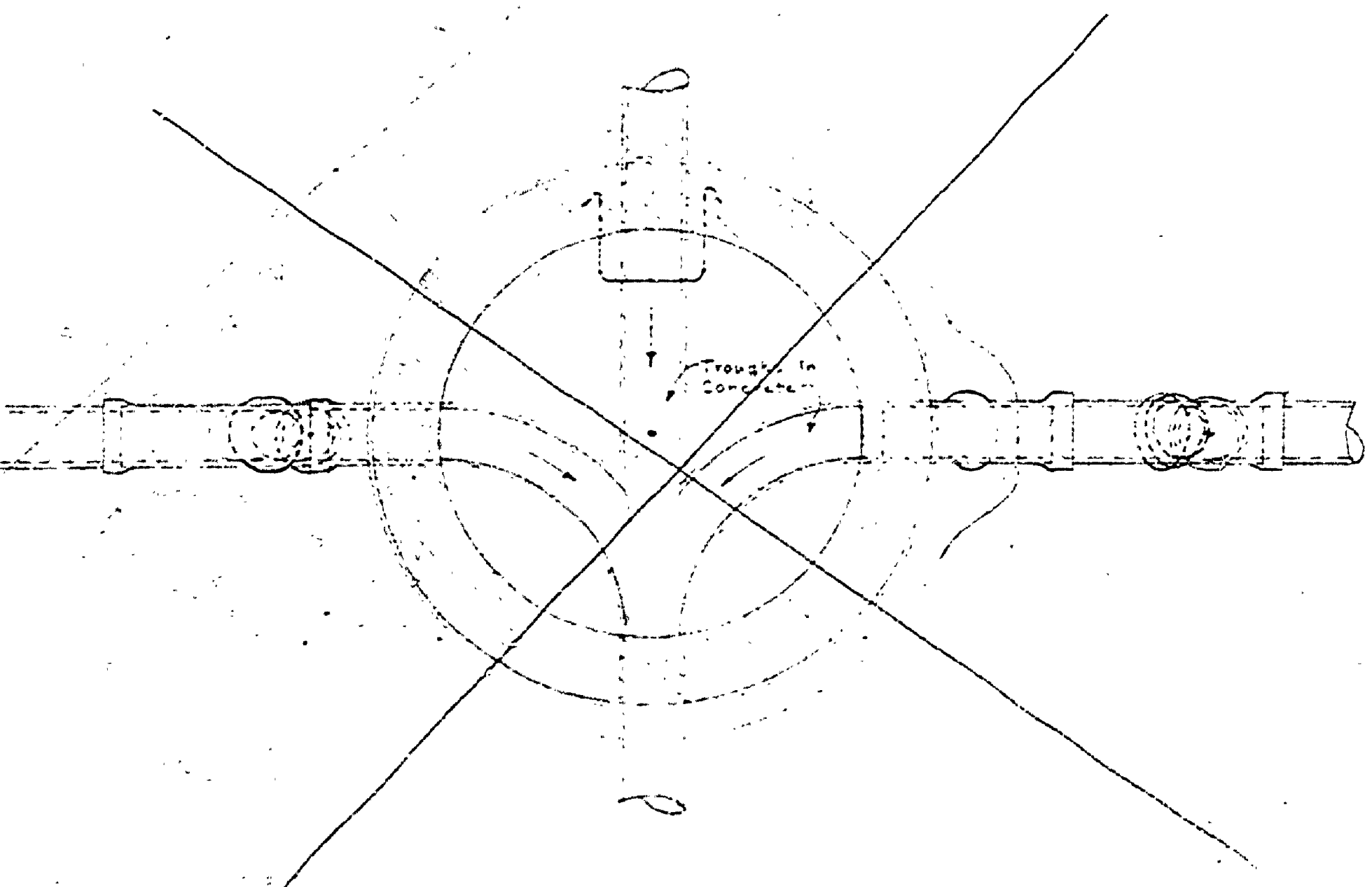
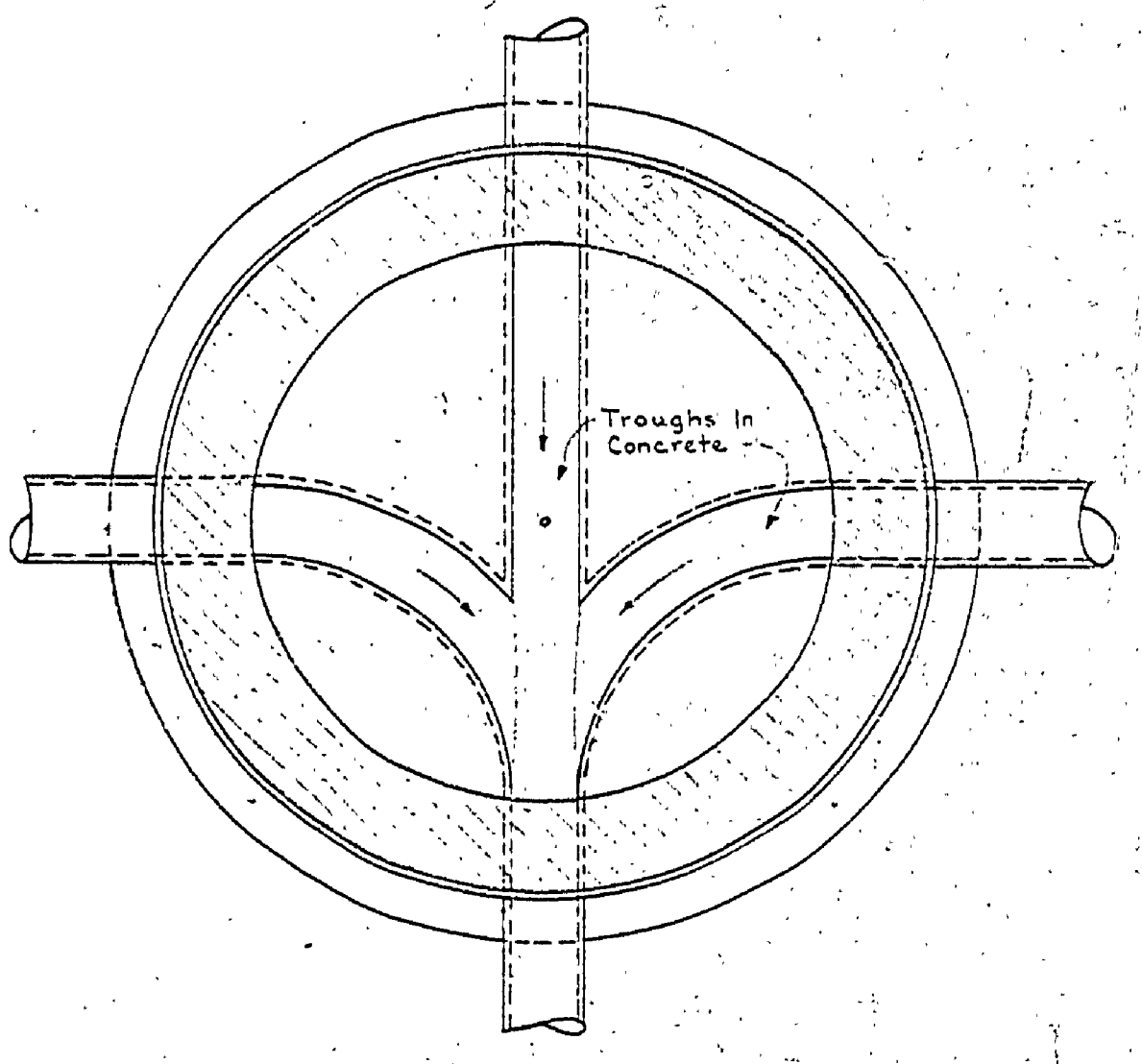


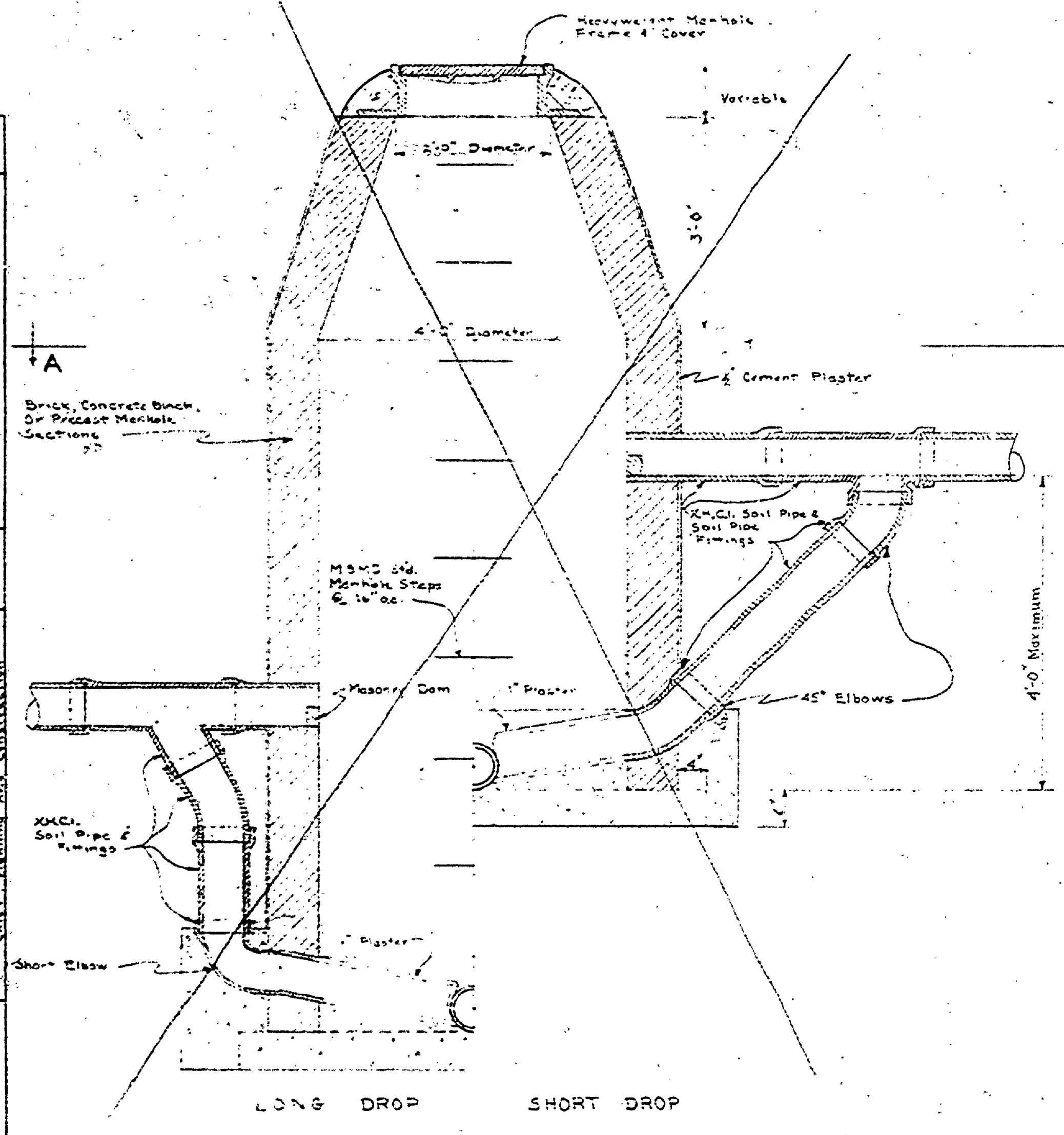
DESIGNED BY	DATE	REVISIONS	NO.	DATE	BY
TRACED BY			4		
CHECKED BY			5		
DATE			6		
APPROVED BY:					
REVIEWED BY SECTIONS	DATE	APPROVED BY	NO.	DATE	BY
ARCHITECTURAL	1-10-64		1		
ENGINEERING	1-10-64		2		
LANDSCAPE	1-10-64		3		
APPROVED BY: <i>[Signature]</i>					
REVIEWED BY SECTIONS					
ARCHITECTURAL					
ENGINEERING					
LANDSCAPE					
APPROVED BY: <i>[Signature]</i>					
REVIEWED BY SECTIONS					
ARCHITECTURAL					
ENGINEERING					
LANDSCAPE					
APPROVED BY: <i>[Signature]</i>					
REVIEWED BY SECTIONS					
ARCHITECTURAL					
ENGINEERING					
LANDSCAPE					
APPROVED BY: <i>[Signature]</i>					



PLAN SECTION A-A

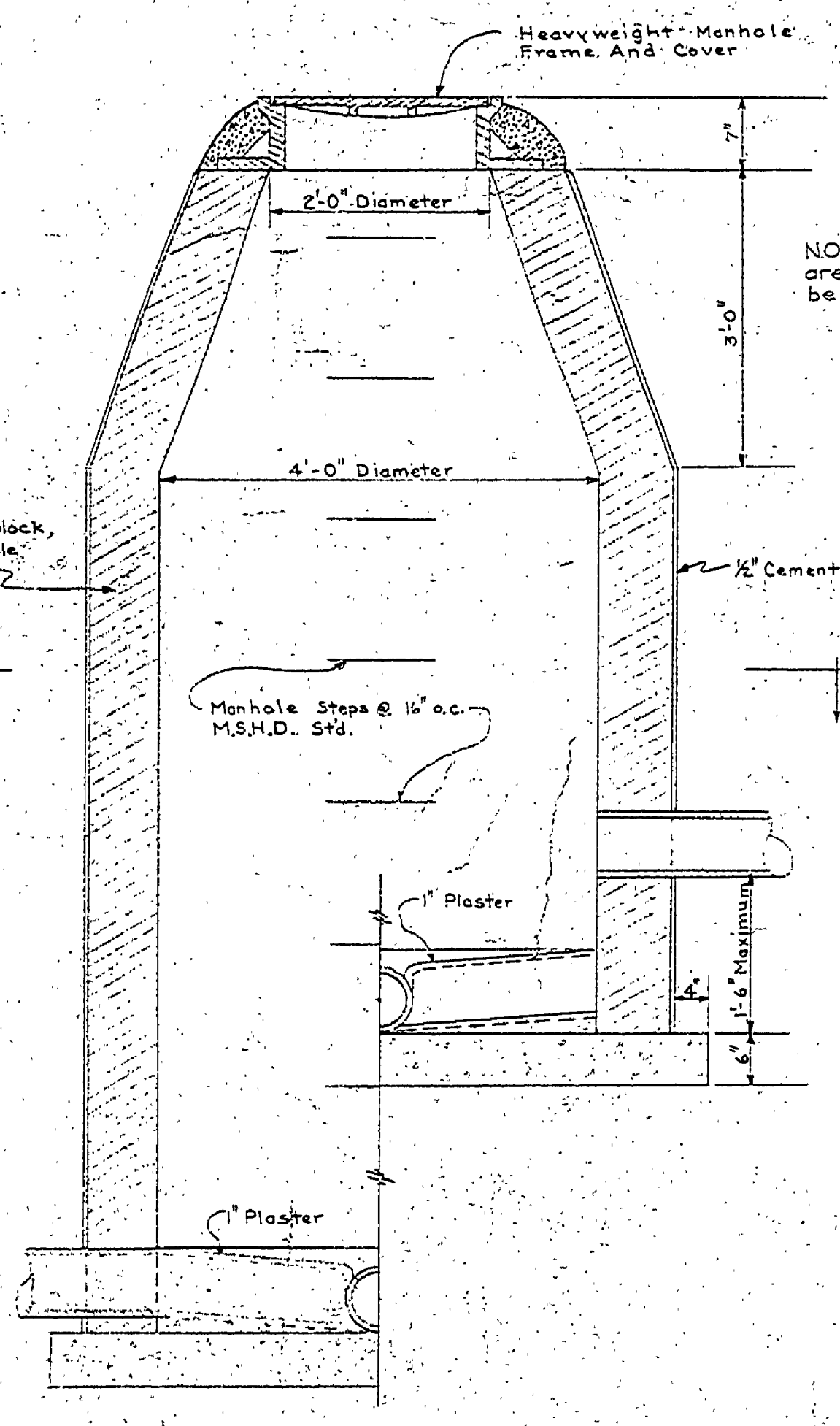


PLAN SECTION B-B



SECTION DROP MANHOLE

Scale 3/4" = 1'-0"



SECTION REGULAR MANHOLE

Scale 3/4" = 1'-0"

NOTE: If concrete batter blocks are used, this dimension may be 2'-0"