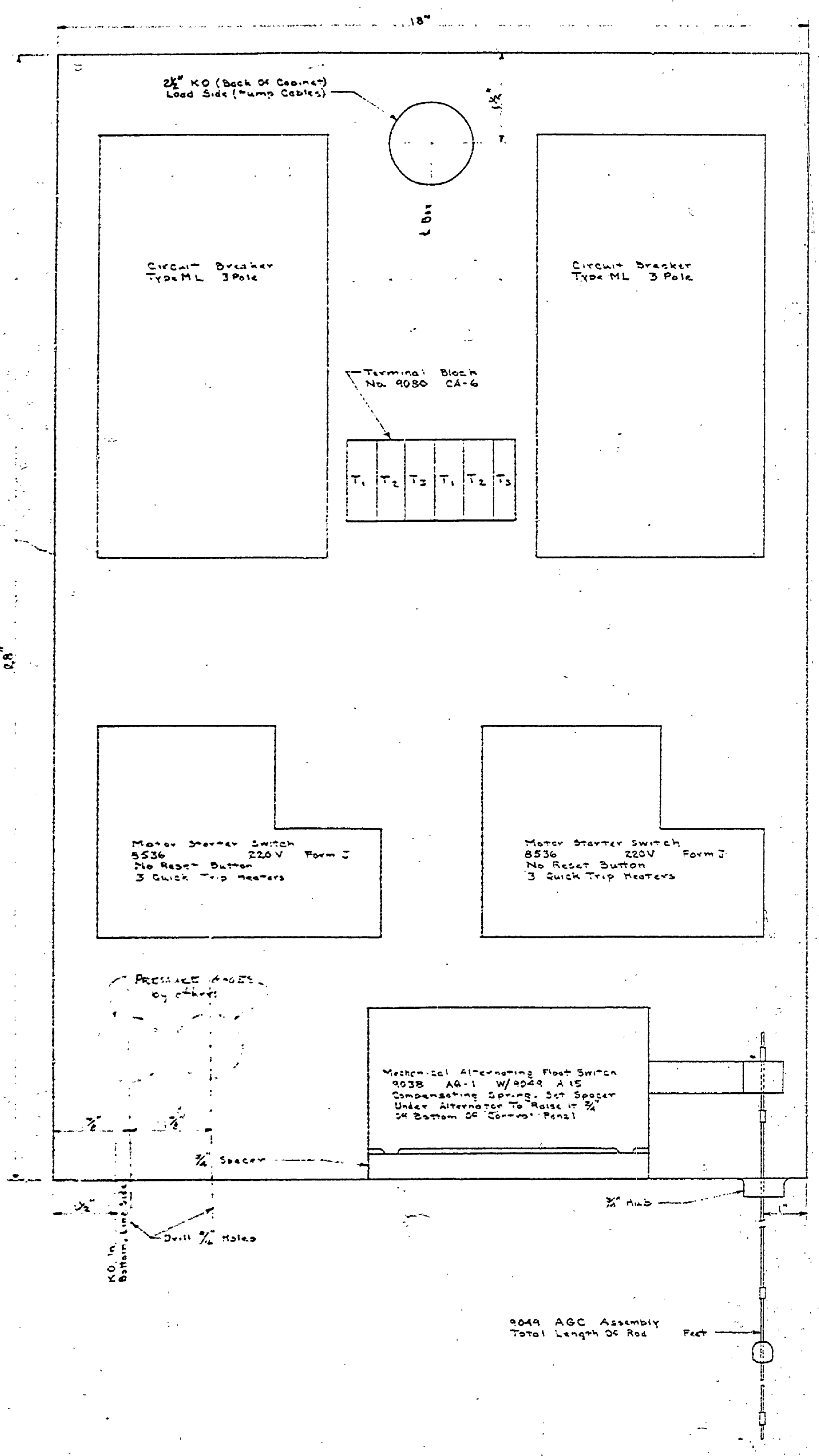


DATE	REVIEWED	DATE	APPROVED	DATE	NO.	DATE	BY
					1		
					2		
					3		
					4		
					5		
					6		

DATE	REVISIONS
	1
	2
	3
	4
	5
	6

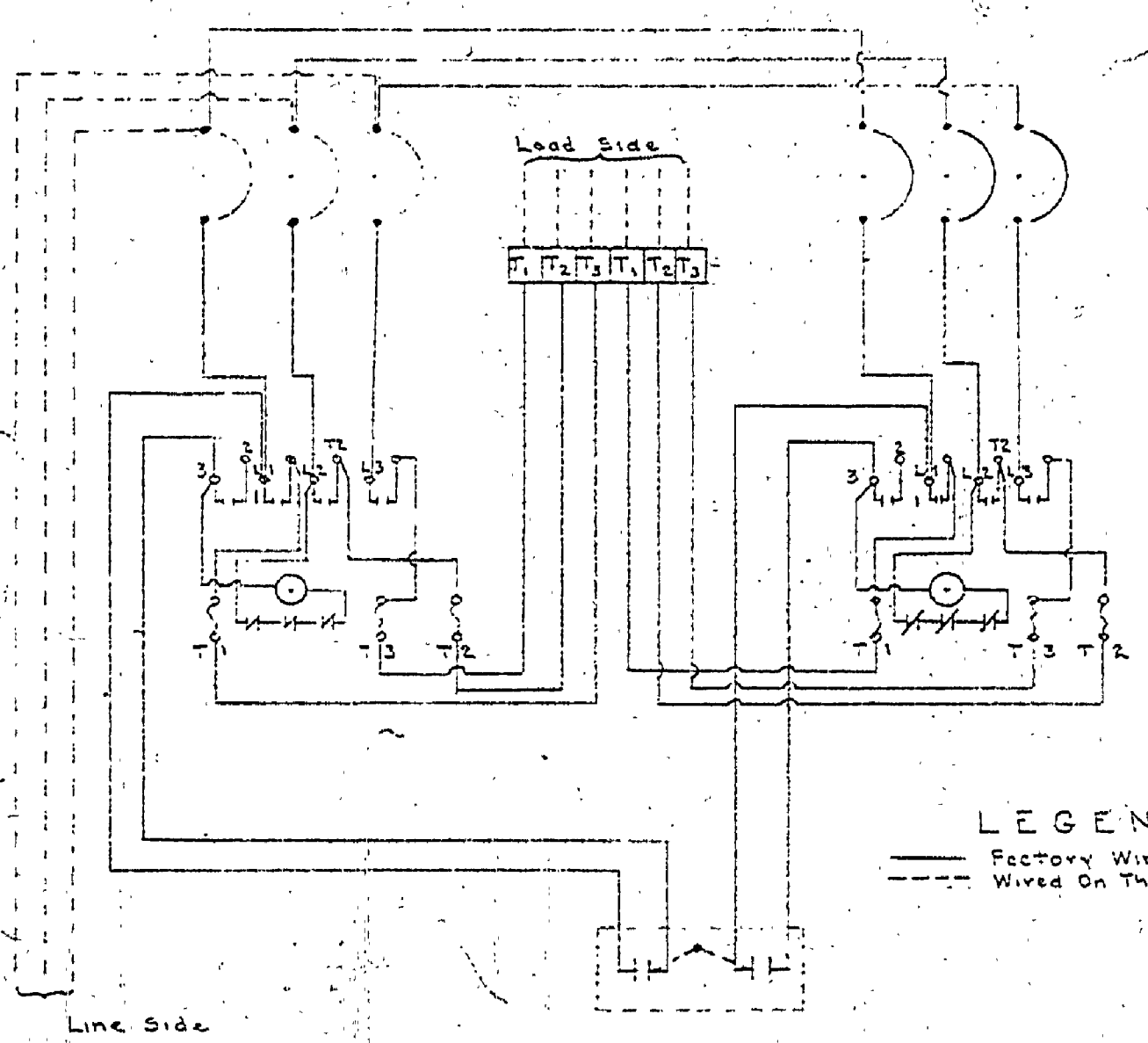
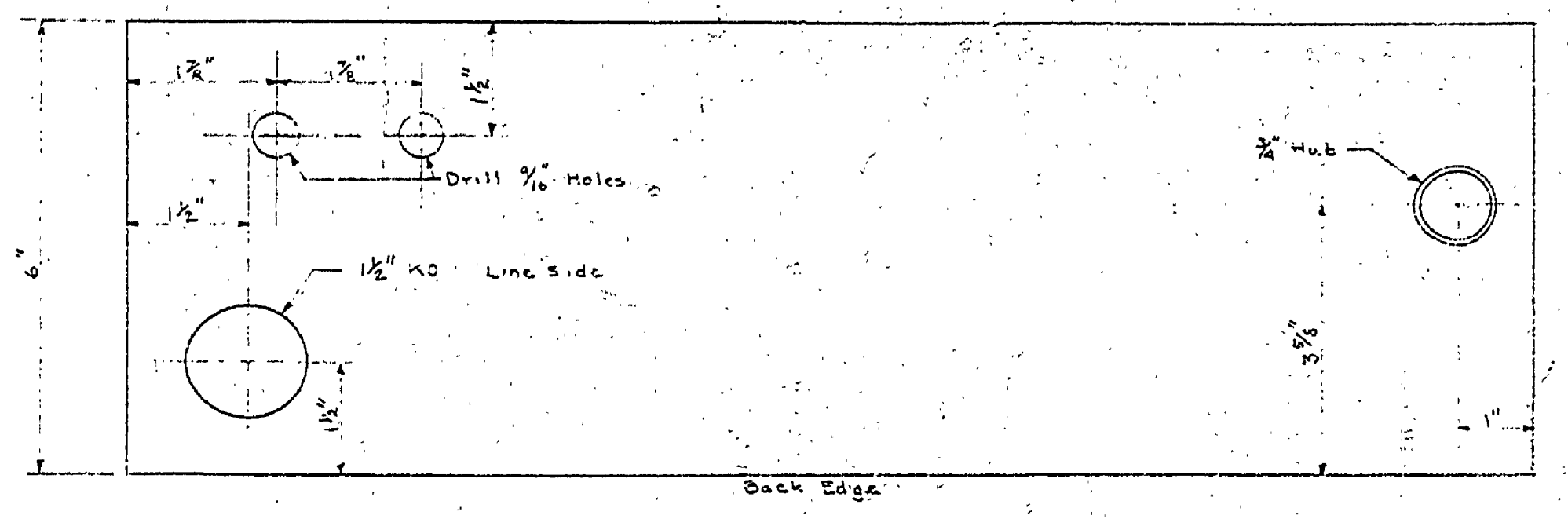
DATE	DESIGNED BY	DATE	REVIEWED	DATE	APPROVED

DATE	DESIGNED BY	DATE	REVIEWED	DATE	APPROVED

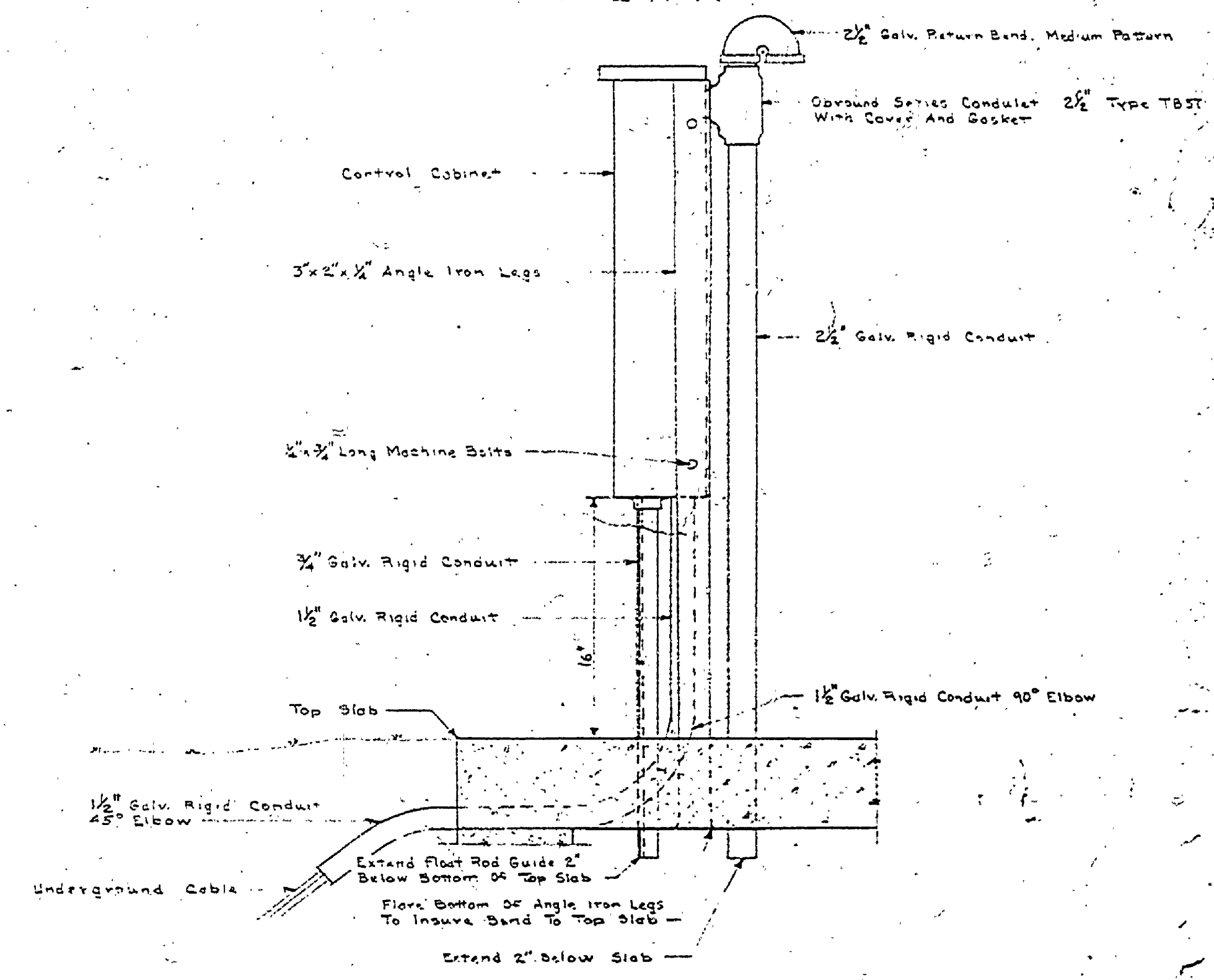
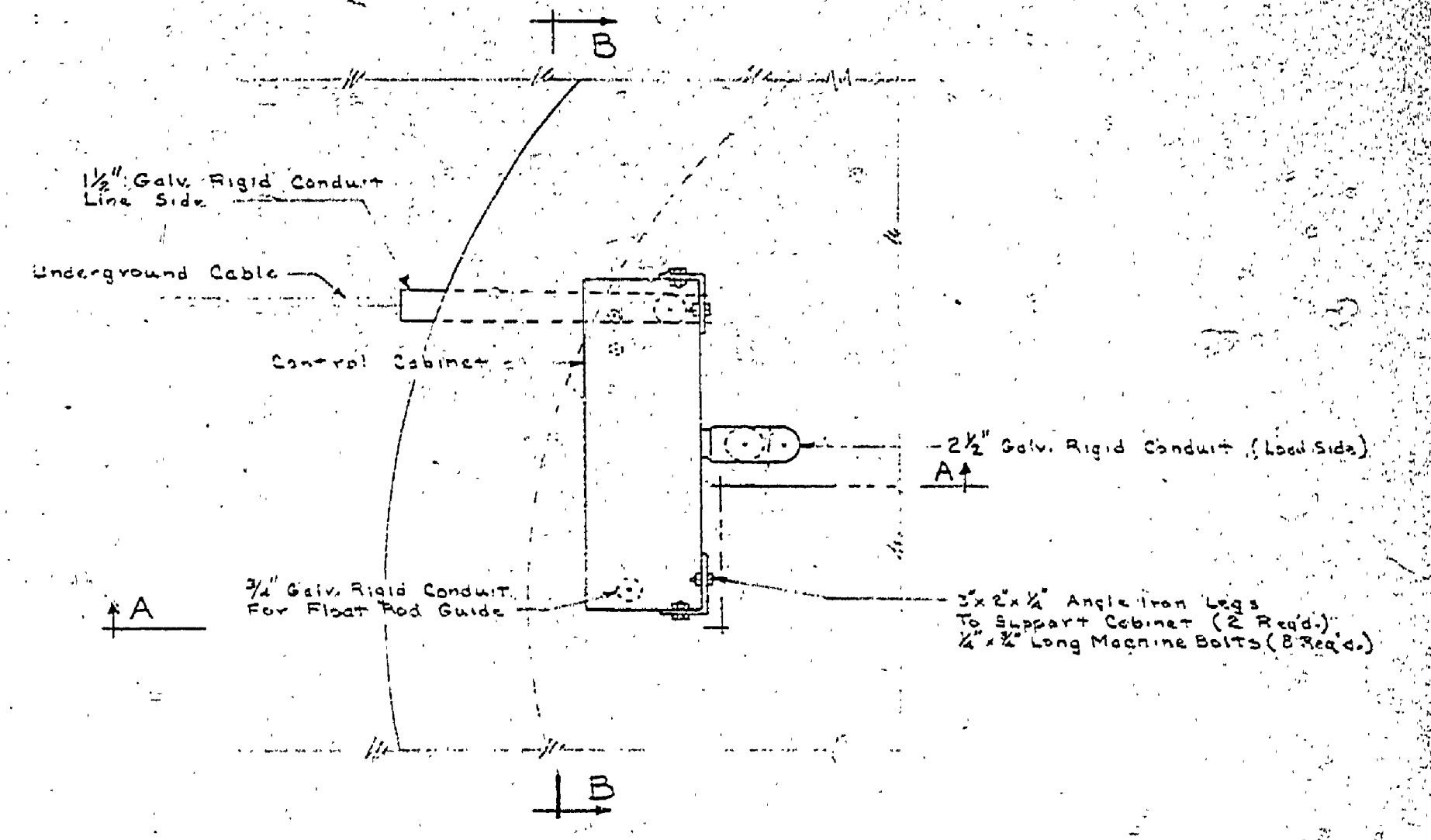


CONTROL FOR DUAL PUMPS

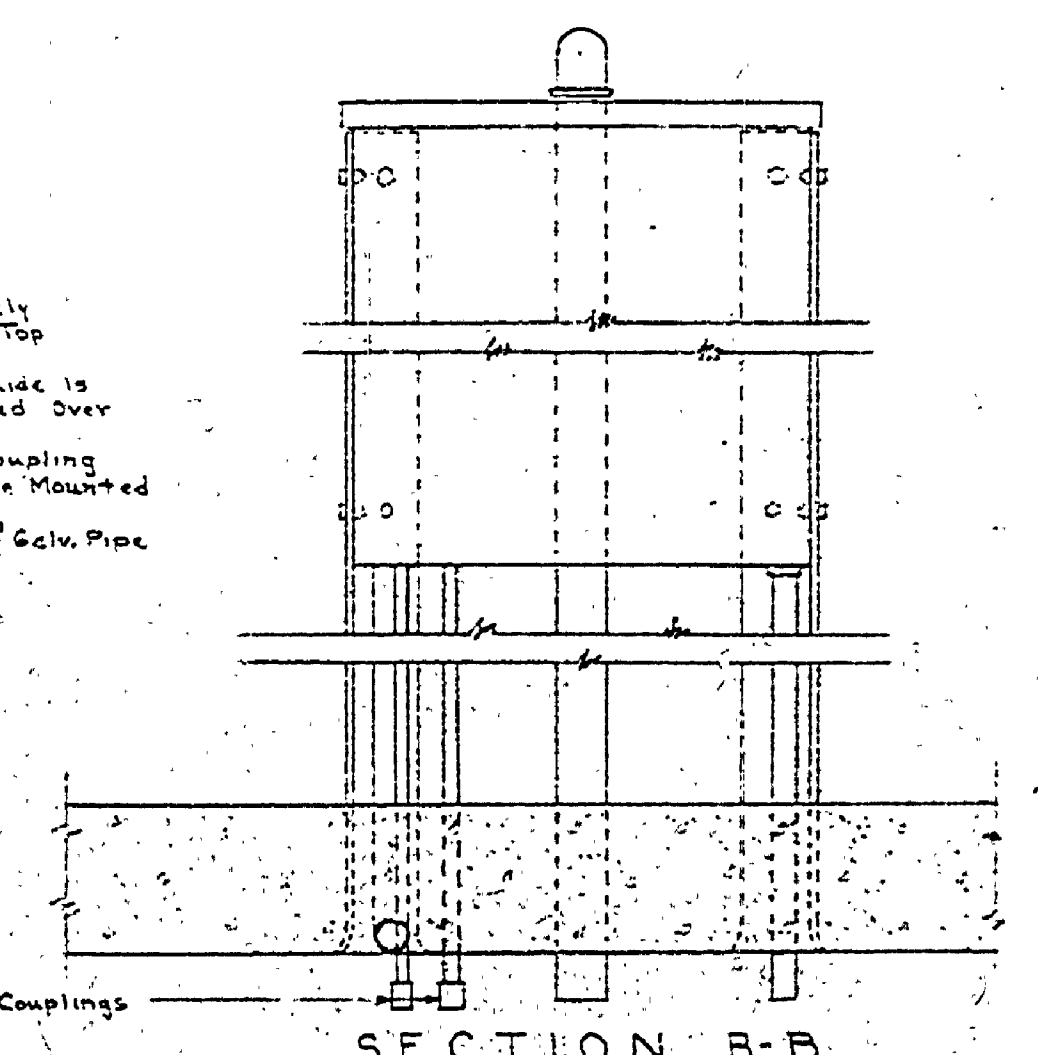
220 VOLT 3^Ø PUMP CONTROL PANEL



NOTES
All Numbers Shown on Component Parts in Control Cabinet Are Same as No. Substitutes Will Be Accepted.
Component Parts in This Control Box Are To Be of Sufficient Amperage To Handle Pump Motors Furnished.
Cabinet Is To Be Weatherproof (See Specifications For Complete Description)



NOTES
Control Pedestal Should Be Completely Assembled and Set in Form Before Top Slab is Poured.
Be Sure 3/4" Conduit For Floor Rod Guide is Plumb & Straight & Exactly Centered Over 8" Floor Guide.
Connect 1/2" Copper Tube To 3/4" Galv Coupling Pressure Gauges with 3/8" Face To Be Mounted in Control Cabinet (By Owner).
Place 3/4" Galv Couplings on Top of 3/4" Galv Pipe Inside Control Panel.



PANEL PEDESTAL INSTALLATION DETAILS
Scale 1/2" = 1'-0"

MICHIGAN
DEPARTMENT OF CONSERVATION
PARKS AND RECREATION DIVISION

FORT WILKINS STATE PARK
CAMPGROUND SEWER SYSTEM

SHEET
NO. 5
OF 6

PLAN NO.
E-107