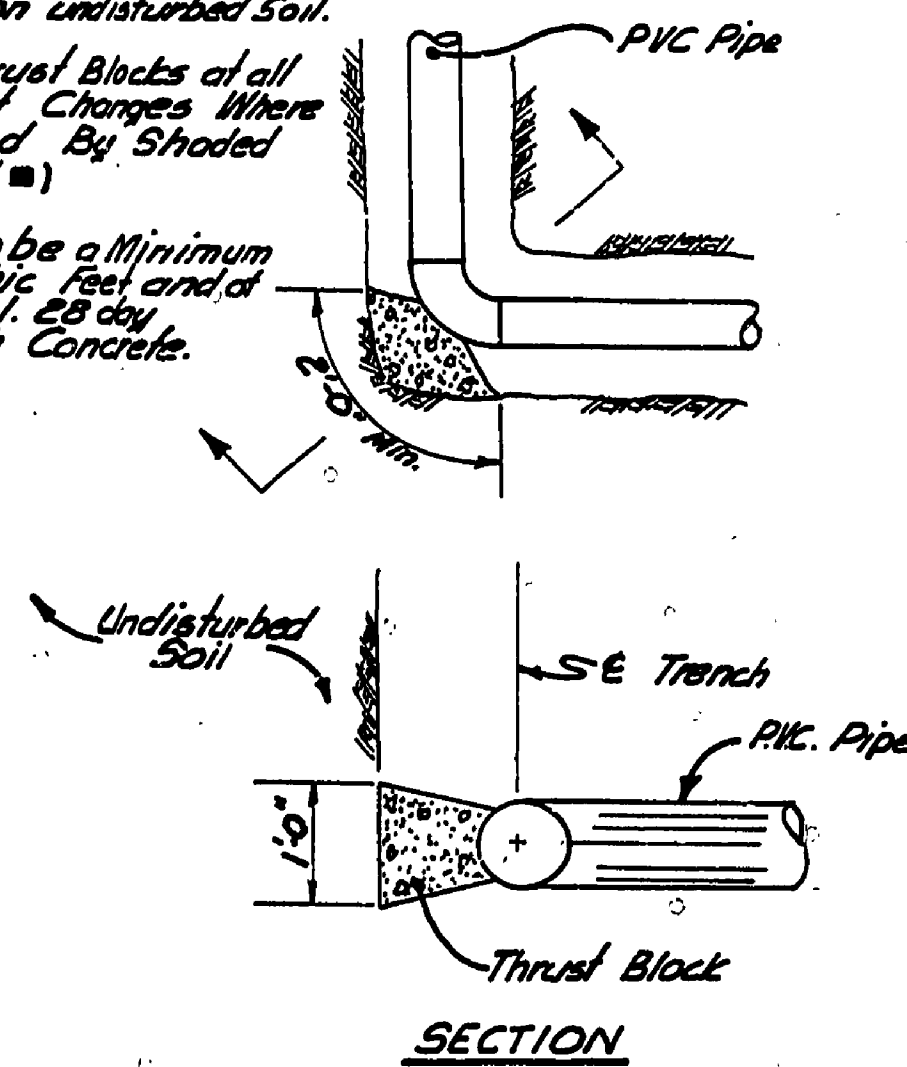
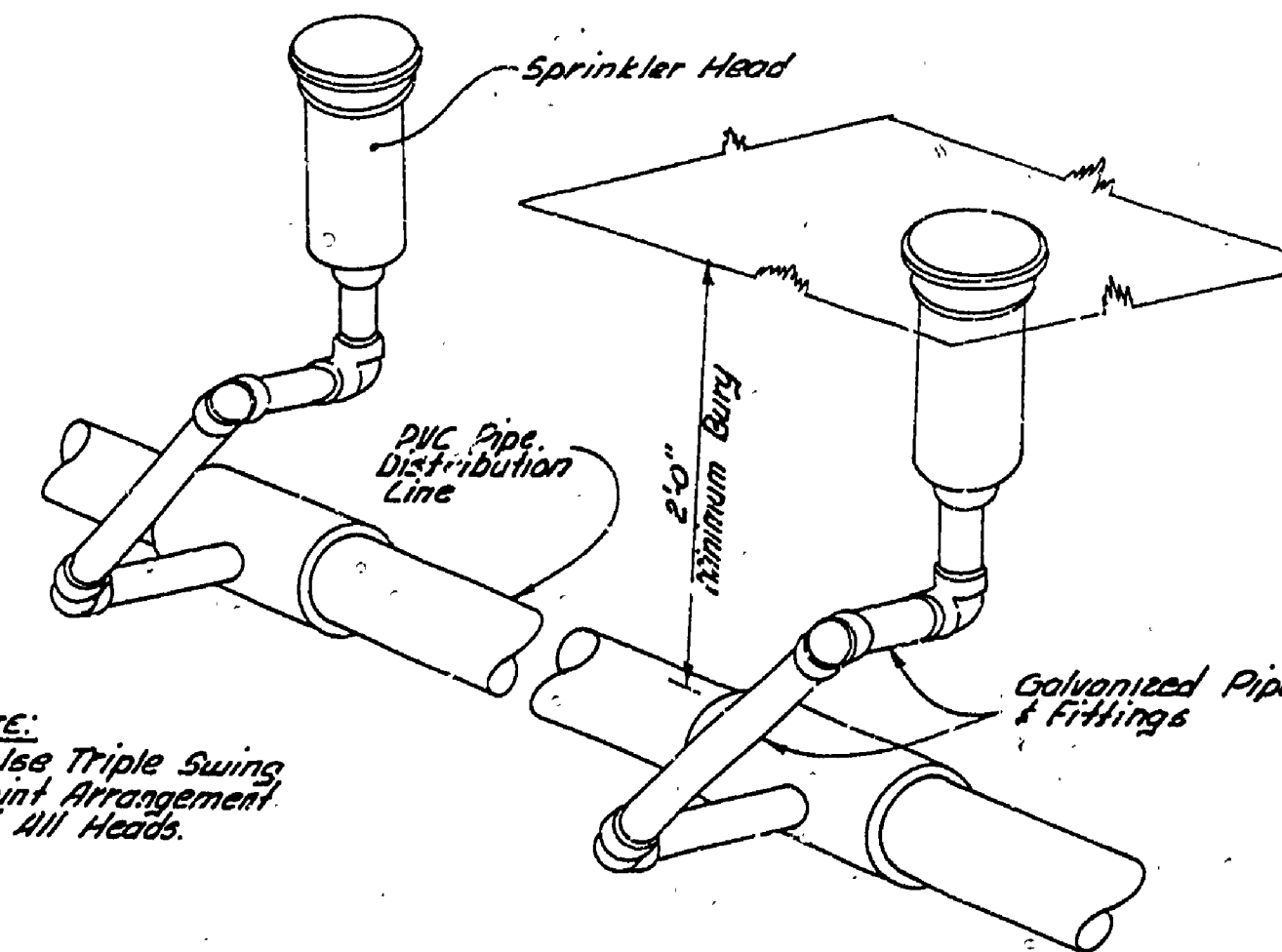


SCHEMATIC DIAGRAM OF PIPING AT PUMP FOR BOTH LAWN SPRINKLING & FIRE PROTECTION

- NOTES:**
1. Pour Concrete Thrust Block To Bear on undisturbed Soil.
 2. Place Thrust Blocks at all Alignment Changes Where Indicated By Shaded Squares (■).
 3. Blocks to be a Minimum of 2 Cubic Feet and of 3000 PSI. 28 Day Strength Concrete.

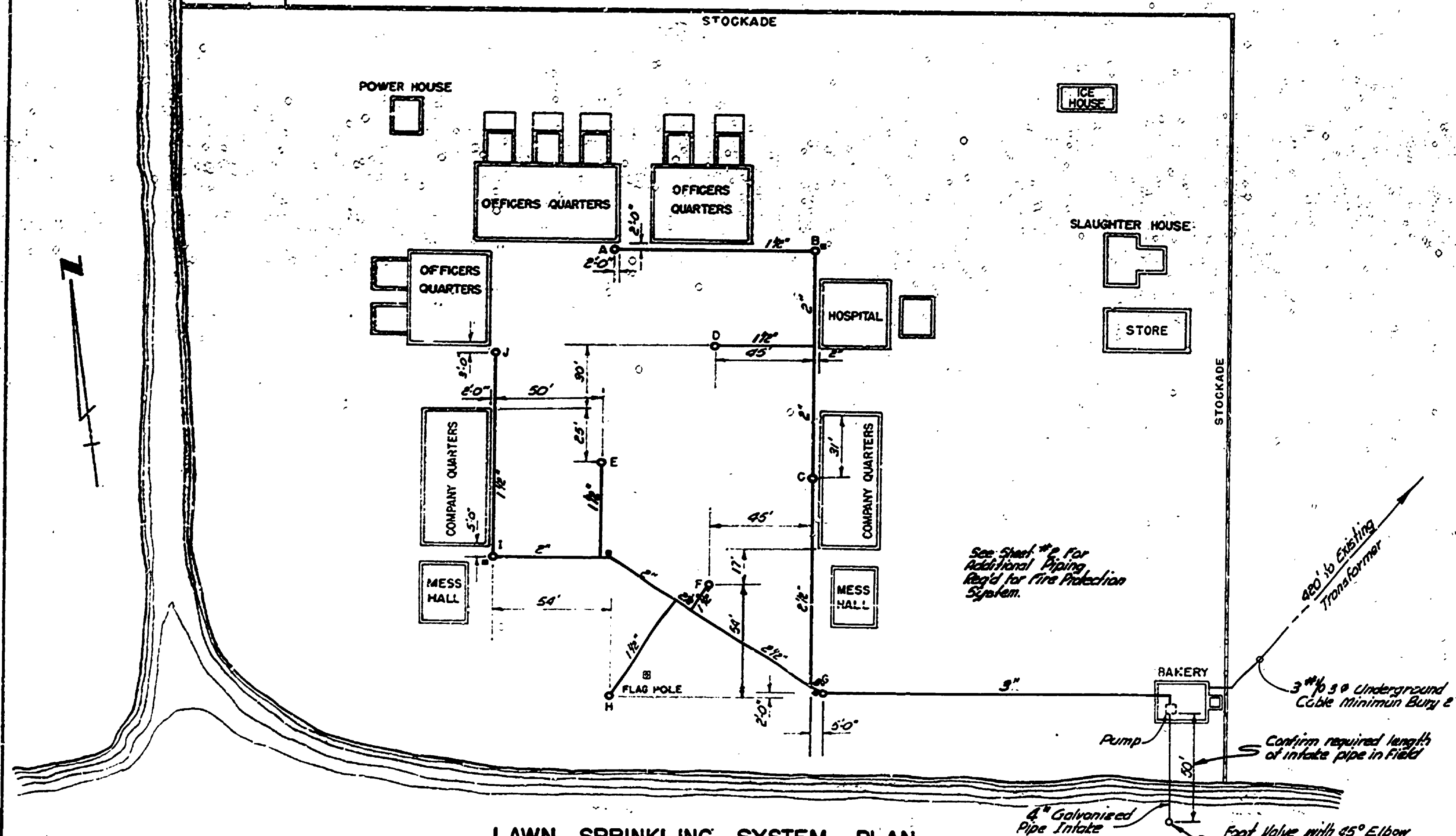


THRUST BLOCK DETAILS



TRIPLE SWING JOINT CONNECTION TYPICAL DETAIL

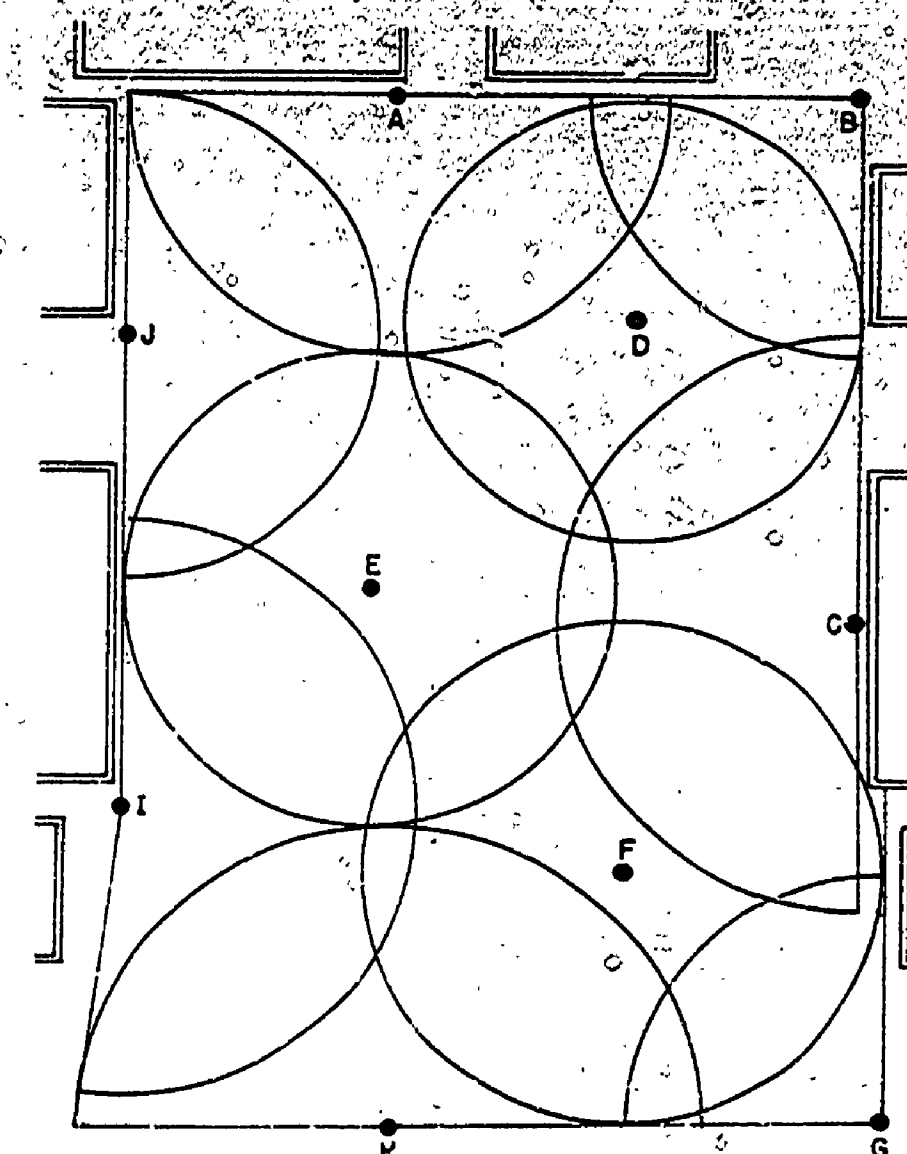
- NOTES:**
1. The Pump Shall be Installed in the Basement of the old Bakery
 2. The Sprinkler Heads Shall be as Follows: A, B, C, D, E, F - Toro Model # 652-00-54 (Full Circle Rotary) or Equal, 15.5 GPM/Head With 50 PSI at Base of Head. D, E, F - Toro Model # 634-00-32 (Full Circle Rotary) or Equal, 14.3 GPM/Head With 50 PSI at Base of Head.
 3. Underground Piping Except as Noted Shall be 150 PSI PVC. Irrigation Pipe Minimum Depth of Bury Shall be 2'-0".
 4. Motor Starter to be Square D Class B59 Type SDG-2 15 HP 208/240 Volt, 3 #, 60 Cycle Nema Type 1 Enclosure Add Form A (Start-Stop Push Button)
 5. Pump to be Canning Linal M-87, Size 2, Mech Seal, Drip Proof Motor 3500 RPM, 15 HP, 3 #, Fig 4211-25



LAWN SPRINKLING SYSTEM PLAN

LAKE FANNY HOOE

1" = 40'



SPRINKLER DISTRIBUTION PATTERN

1" = 40'

THESE SHEETS (SPRINKLER SYSTEM) FOR REFERENCE ONLY.

SURVEYED BY	DRAWN BY	NO.	DATE	BY	REVISIONS	NO.	DATE	BY	REVISIONS
DESIGNED BY R. HAEUSLER	LEMMON	12-69				1.			
DATE	CHECKED BY	DATE				2.			

MICHIGAN DEPARTMENT OF NATURAL RESOURCES

PLAN & DETAILS SHEET TITLE

FT. WILKINS STATE PARK AREA OR PARK PROJECT PARADE GROUND LAWN SPRINKLER SYSTEM

BUILDING COMMITTEE APPROVAL	BY: _____ DATE: _____
RECOMMENDED FOR APPROVAL	BY: <i>W.S. Red</i> 5-22-70 DATE: _____
RECOMMENDED FOR APPROVAL	BY: <i>R. P. ...</i> 5-27-70 DATE: _____
DIVISION/REGION APPROVAL	BY: <i>Robert O. Dring</i> 6-8-70 DATE: _____
APPROVED	BY: <i>H. M. ...</i> 6-11-70 DATE: _____
PROJECT NO.	110-75-2499-085
SHEET	1 OF 2 PLAN NO. E-110-A