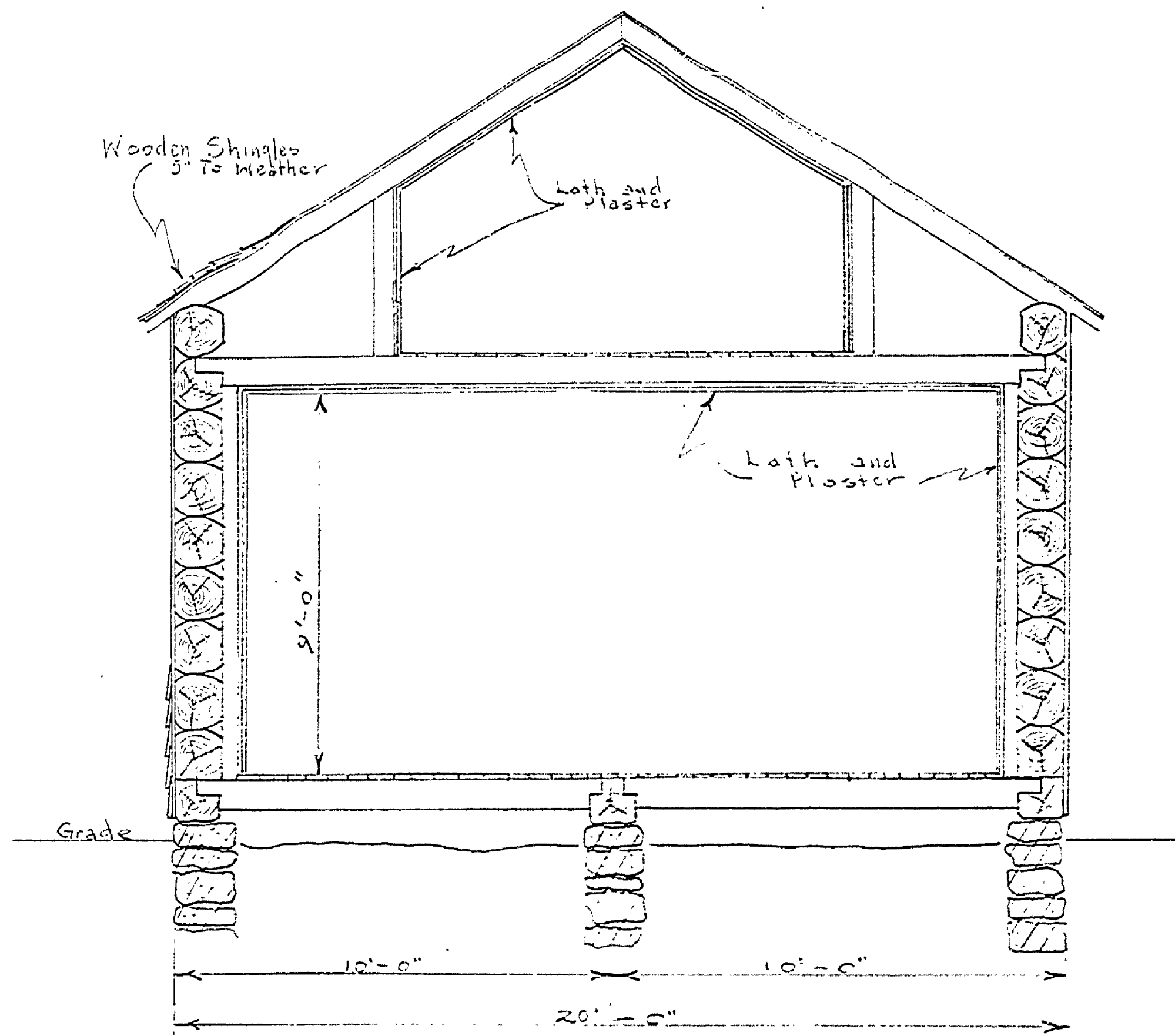
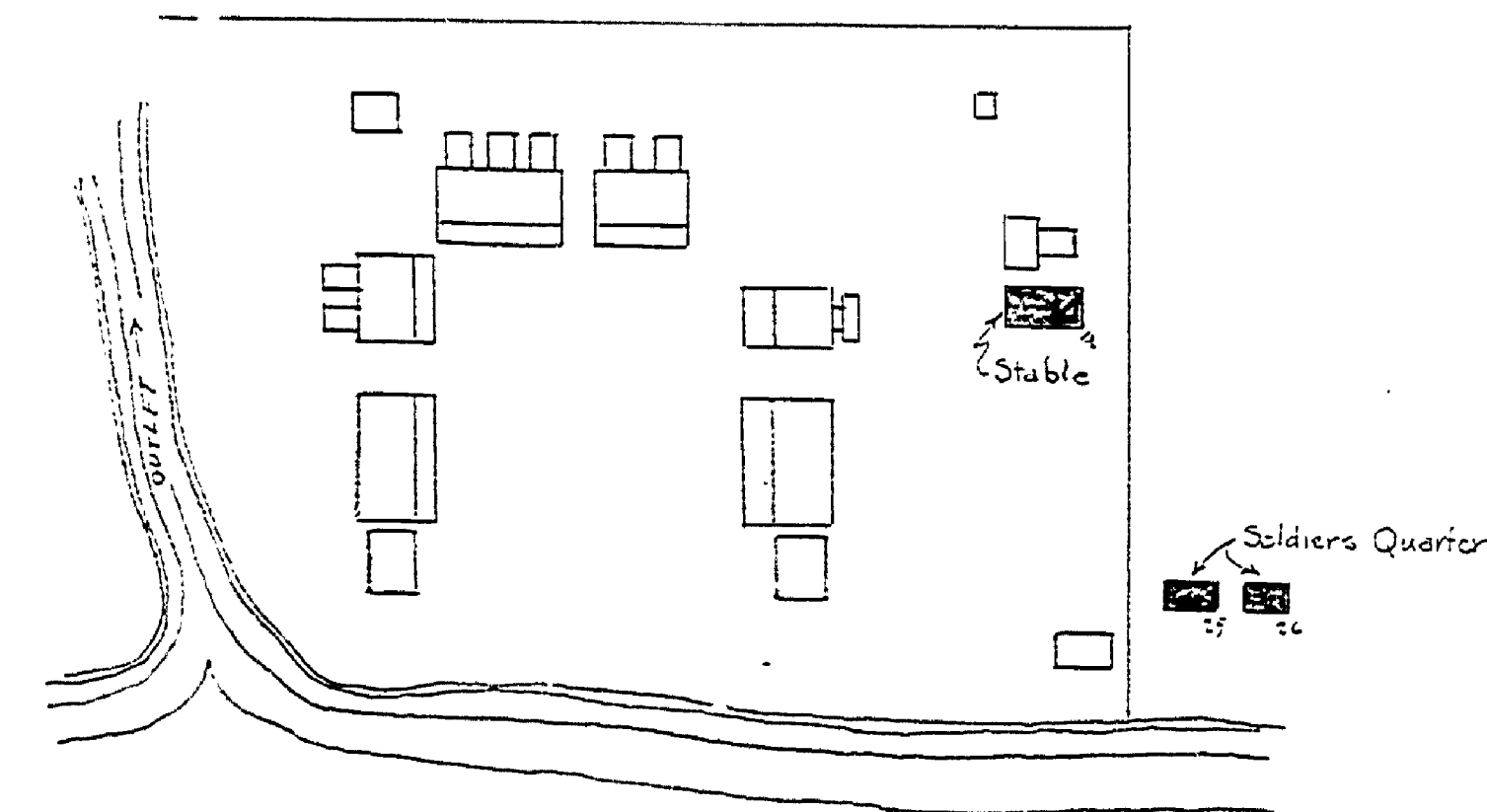


FLOOR PLAN  
Scale - 1/4" = 1'



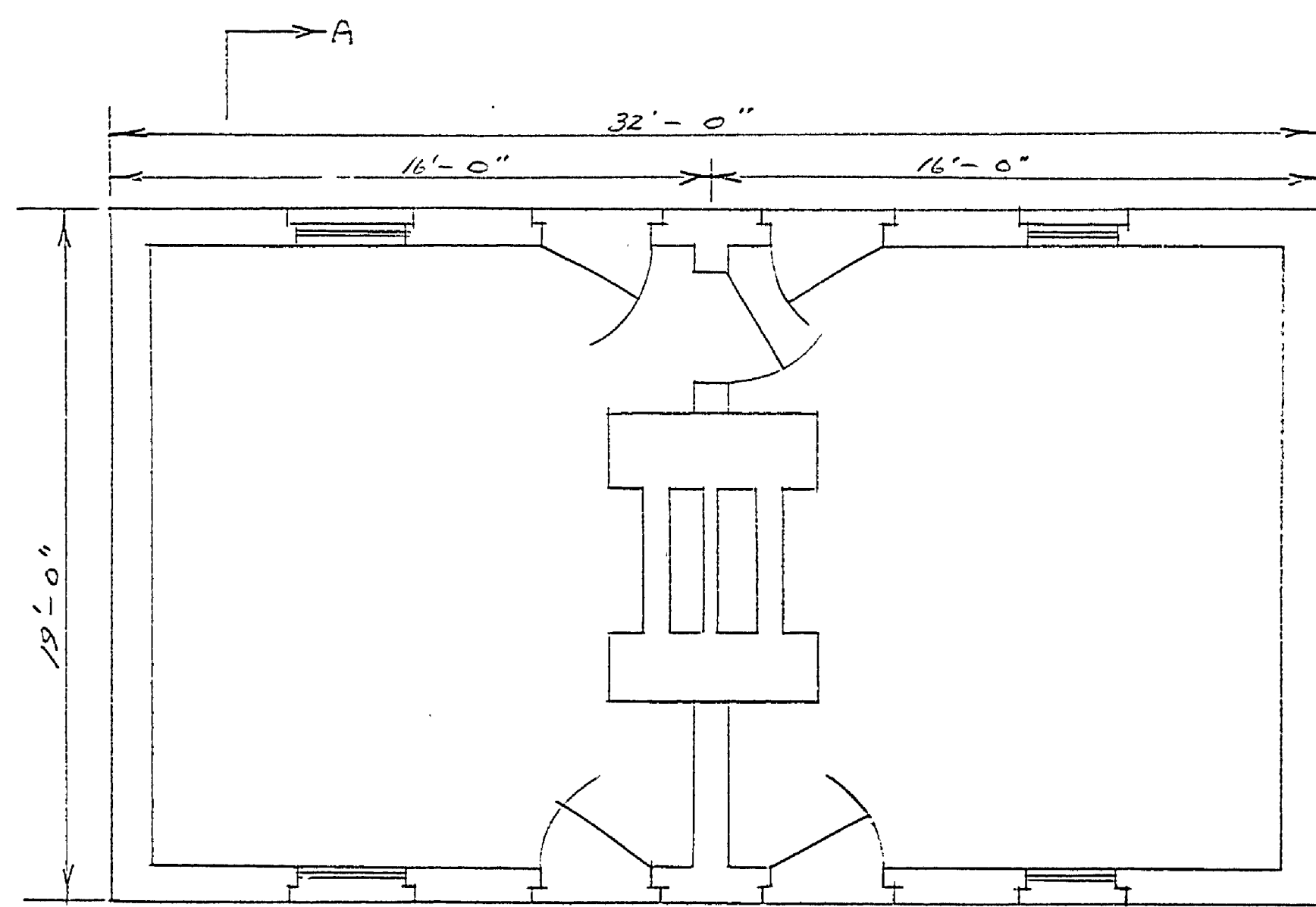
SECTION - A-A  
Scale - 1/8" = 1'

STABLE  
1 - Building



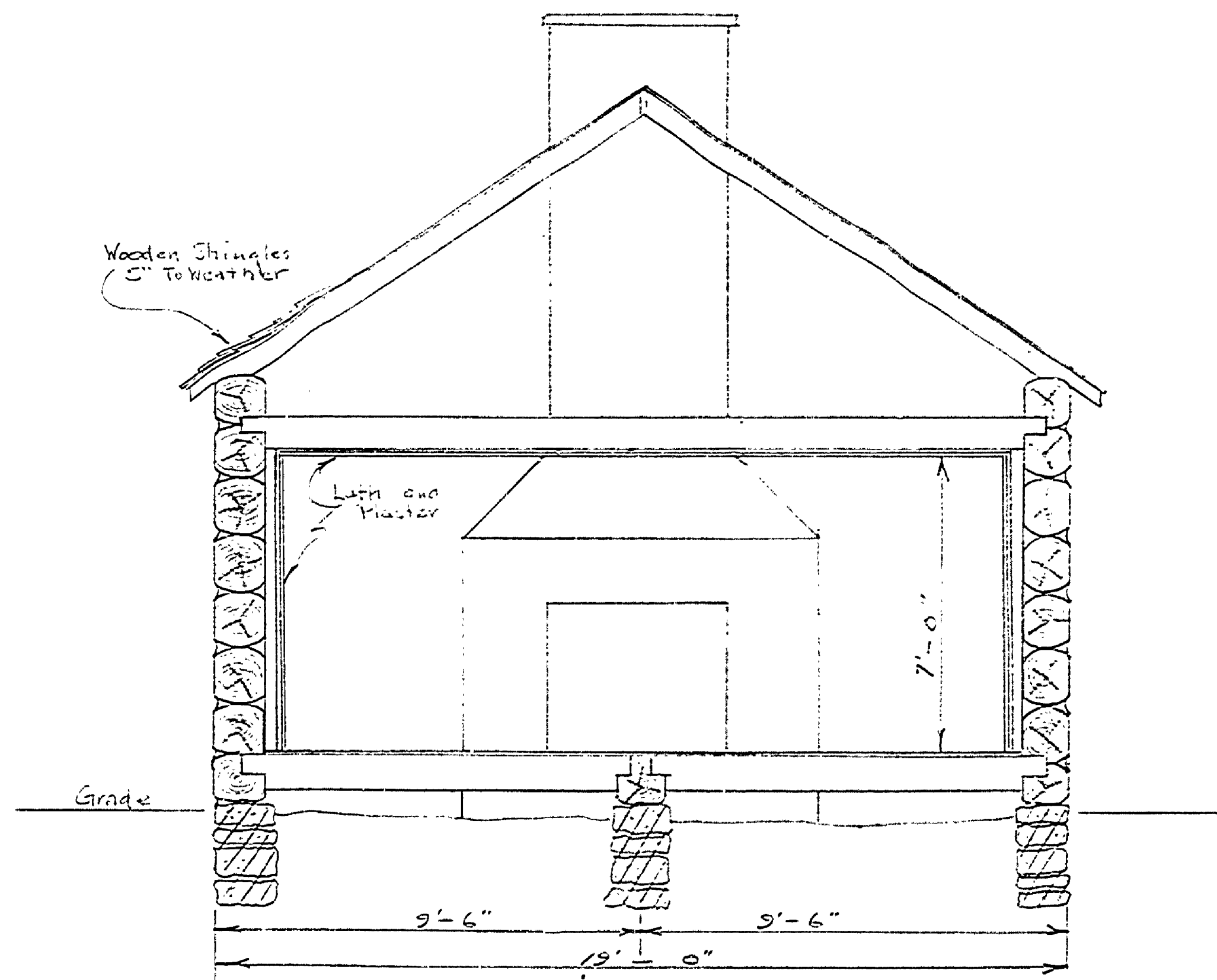
LAKE FANNY HOOE

FORT GROUNDS & BUILDINGS  
BUILDINGS ON THIS PLAN ARE  
SHADED



FLOOR PLAN  
Scale - 1/4" = 1'

SOLDIERS QUARTERS  
2 - Buildings



SECTION - A-A  
Scale - 3/8" = 1'

FORT COMMISSARY (STABLE)  
INSURANCE # 7

SOLDIERS QUARTERS  
INSURANCE NO'S.  
4 & 5

MICHIGAN DEPT. OF CONSERVATION  
DIVISION OF STATE PARKS  
PLANS OF OLD FORT BUILDINGS IN  
FORT WILKINS STATE PARK  
SOLDIERS QUARTERS & STABLE  
Scale - As indicated Date - 1-2-37  
Sheet 1 of 1