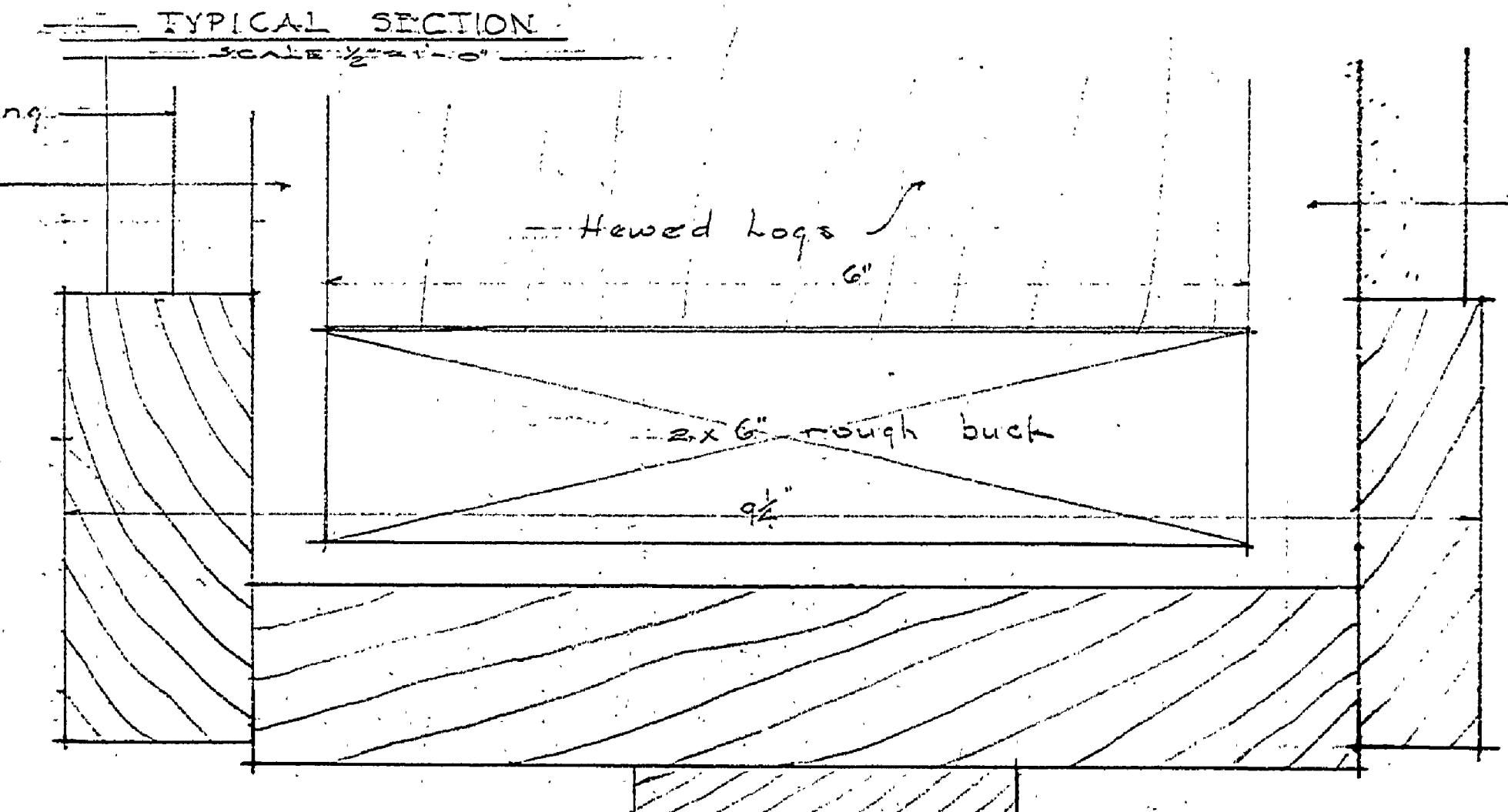
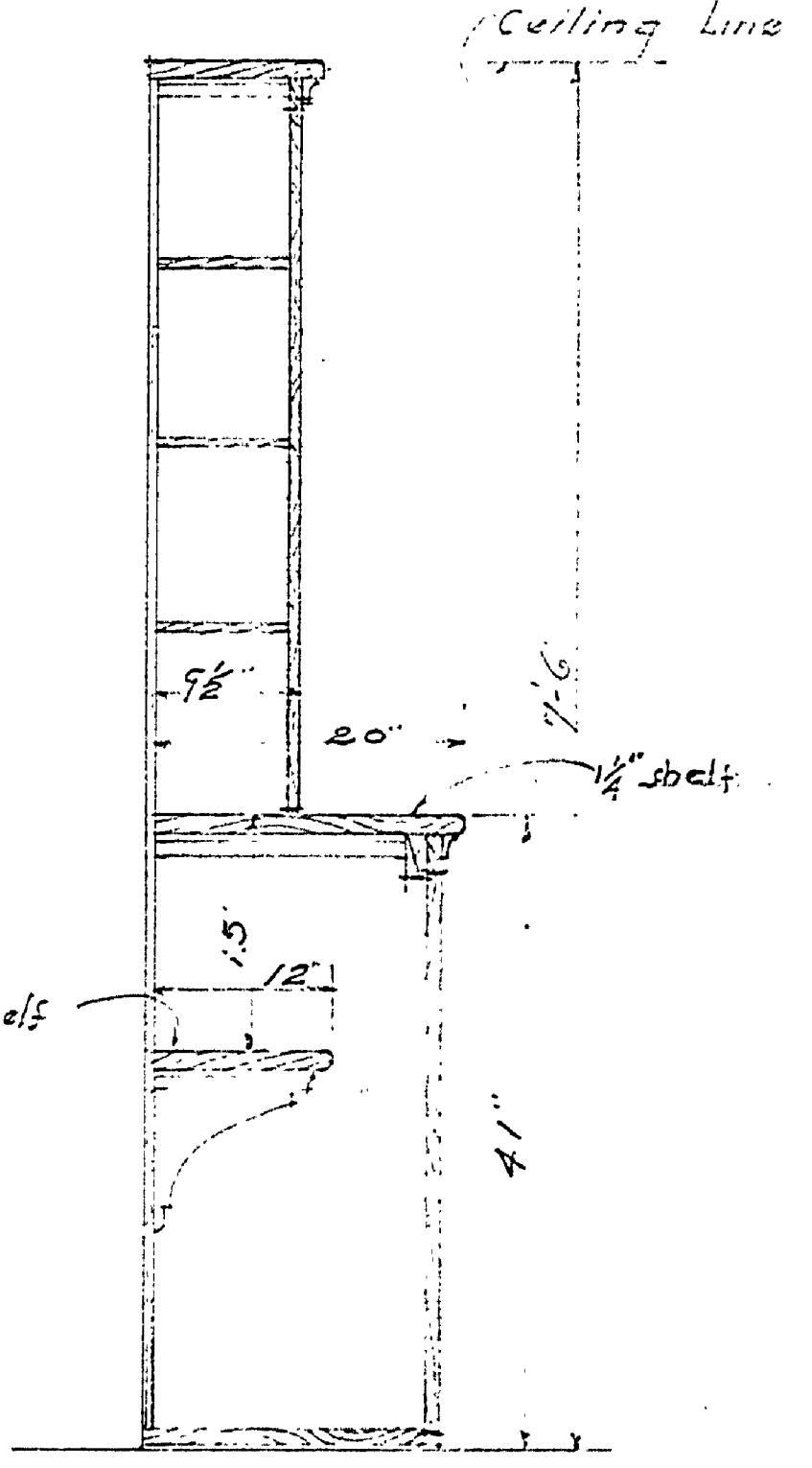


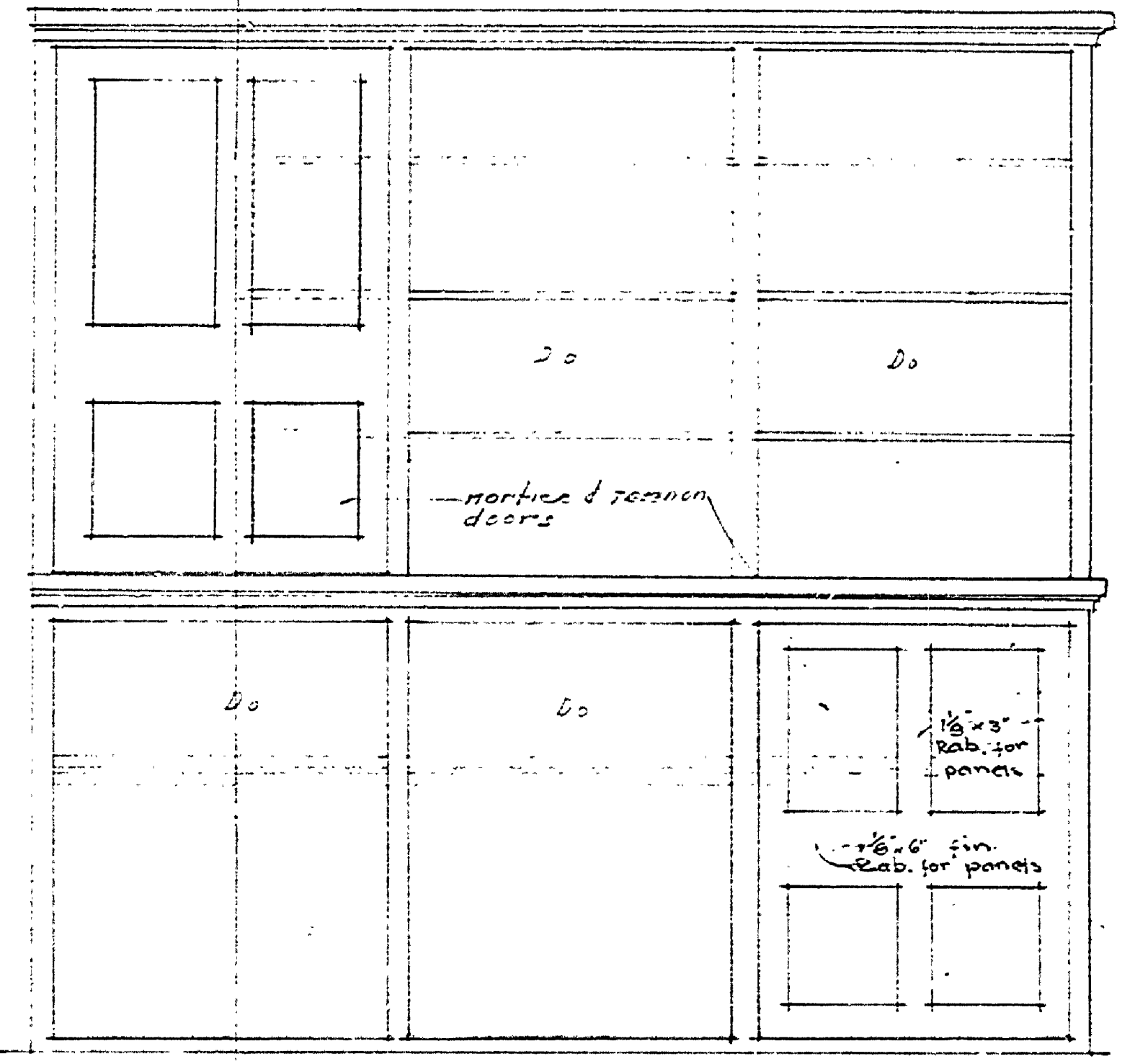
STAIRWAY DETAIL



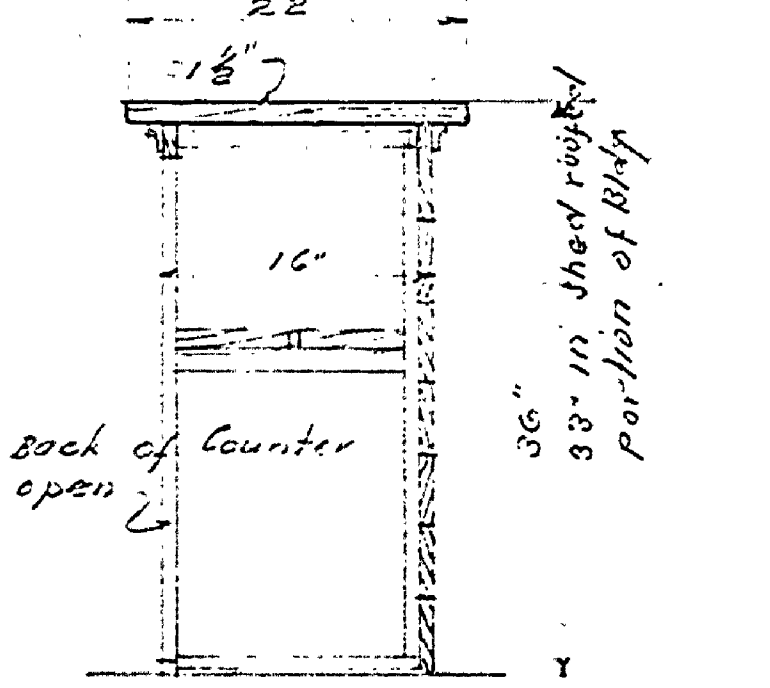
T.S. DETAIL OF DOOR FRAME



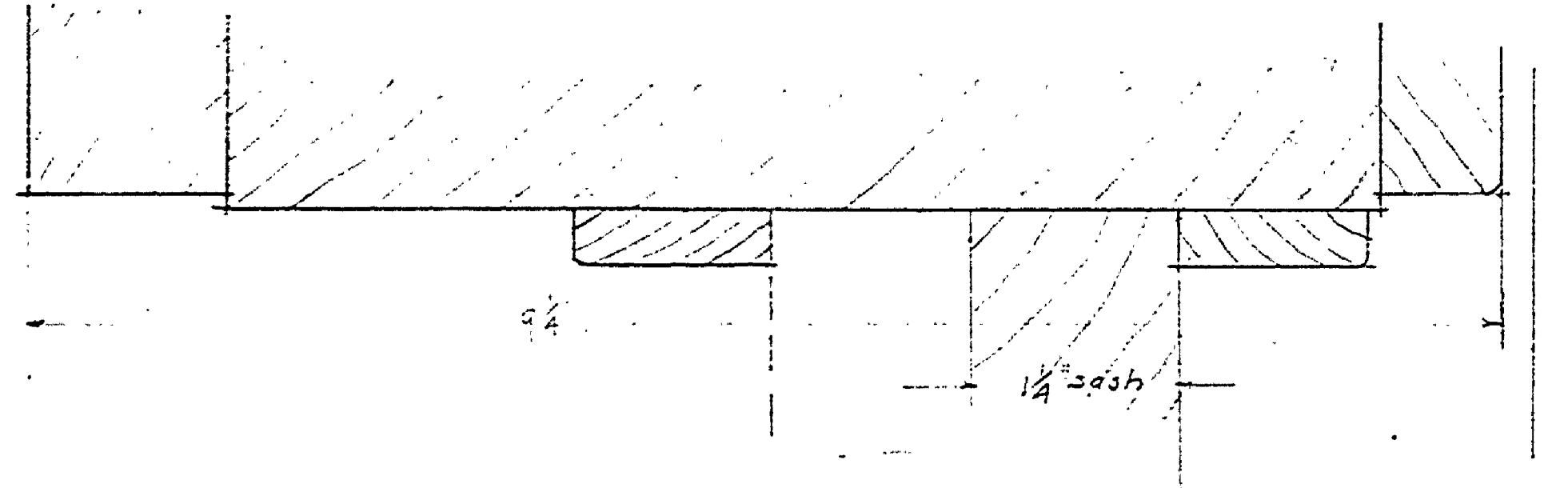
SECTION R-R



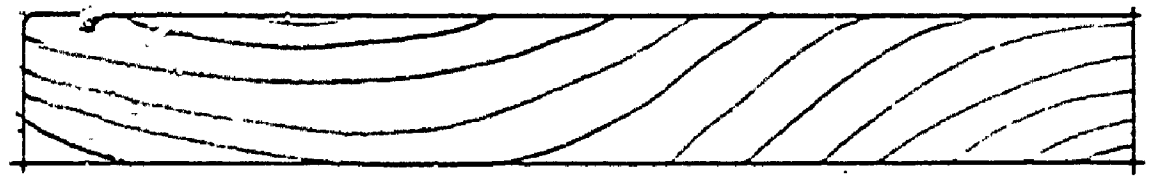
STORAGE CABINETS DETAILS



TYPICAL COUNTER SECTION



T.S. DETAIL OF WINDOW JAMB



T.S. DETAIL OF BASE

FORT COMMISSARY

INSURANCE No. 7

A-108 - J

MEASURED DRAWINGS FOR THE RECONSTRUCTION OF THE COMMISSARY AT FORT WILKINS MICHIGAN

MICHIGAN DEPARTMENT OF CONSERVATION PARKS DIVISION	
GENERAL COMMISSARY FORT WILKINS FORT WILKINS STATE PARK	PLAN NO. 2 of 2 SCALE AS SHOWN DATE 10/1/41
DRAWN BY S. F. H. CHECKED BY	APPROVED BY <i>S. F. H.</i> DATE 10/1/41