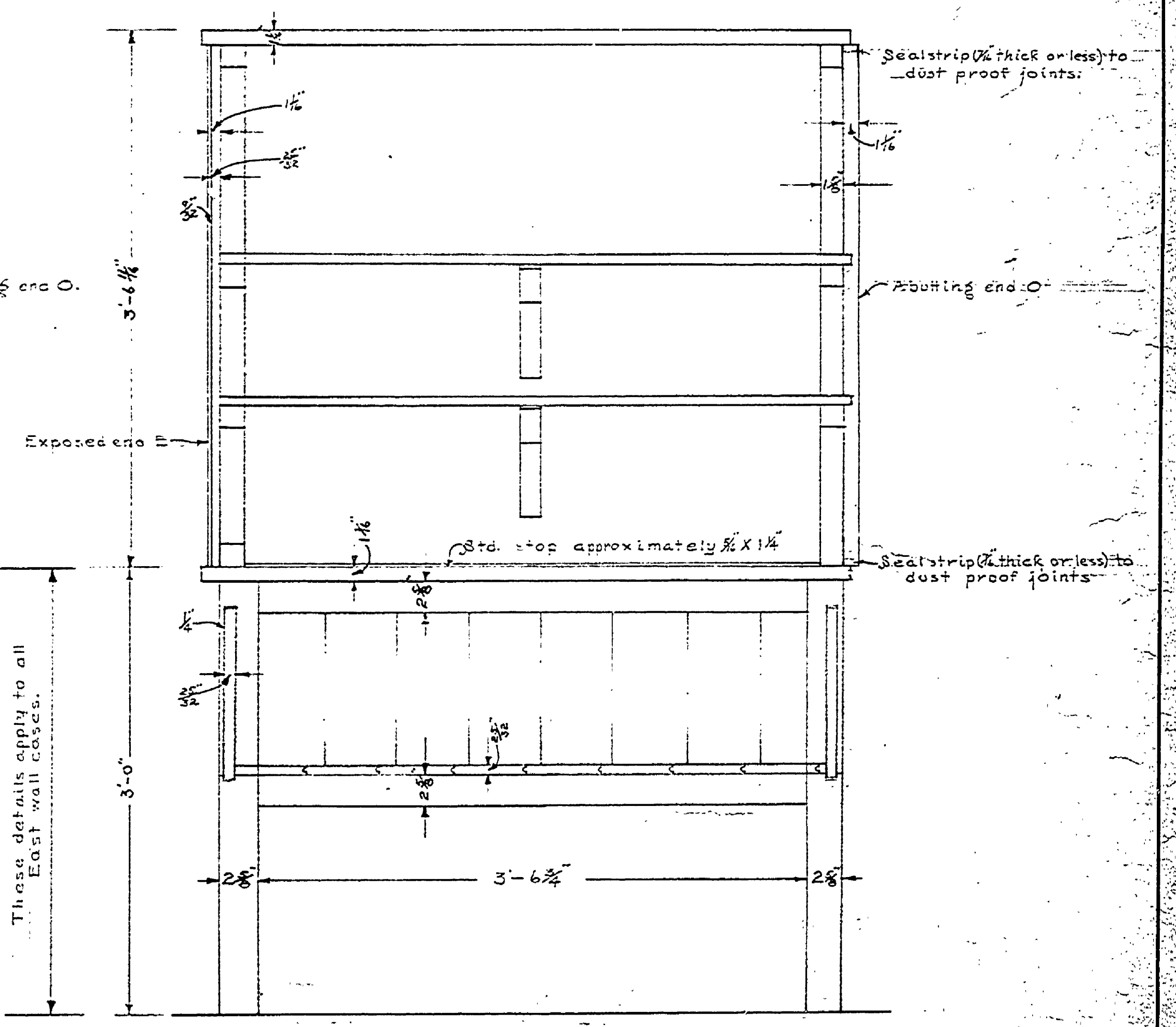
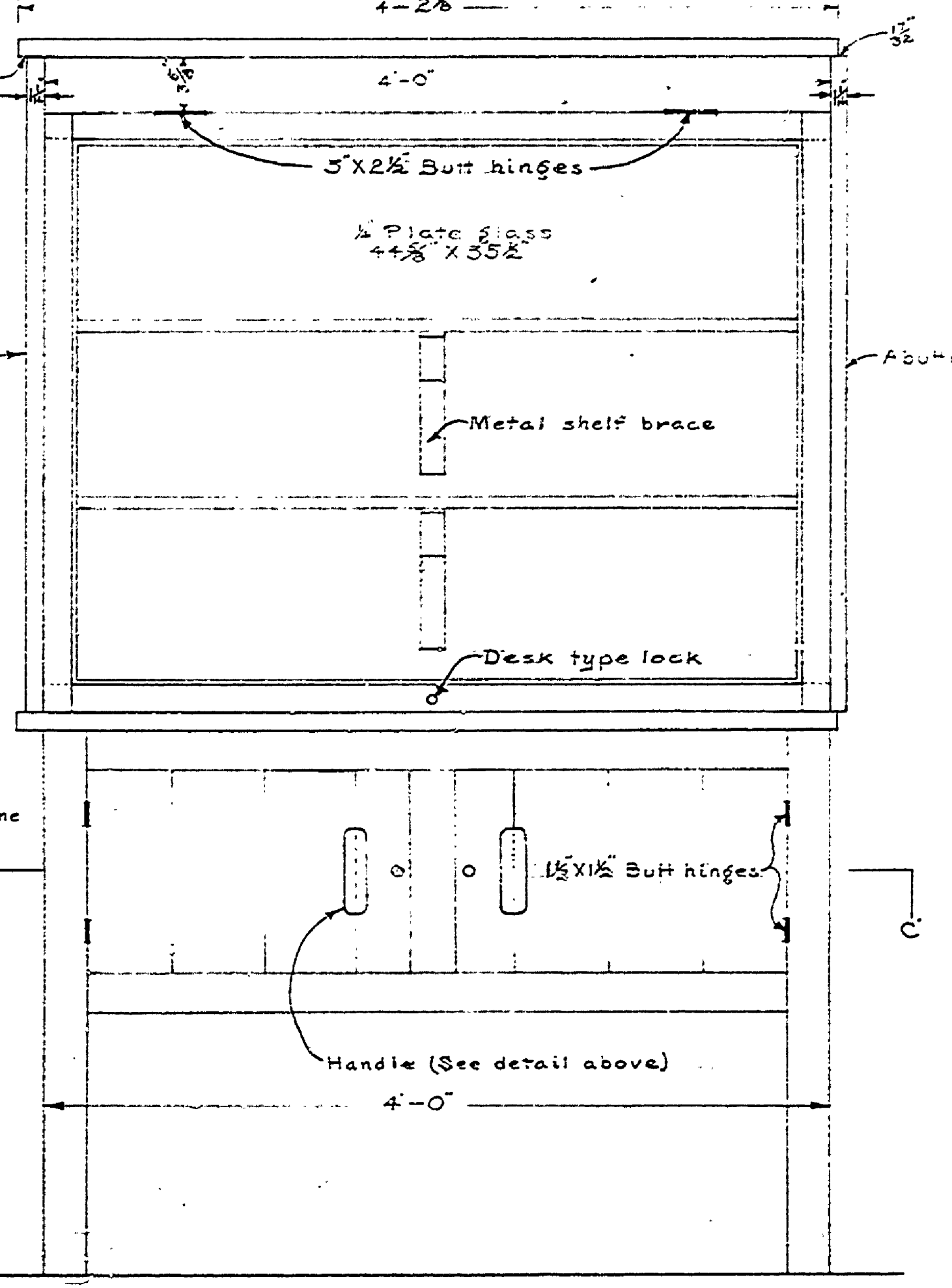
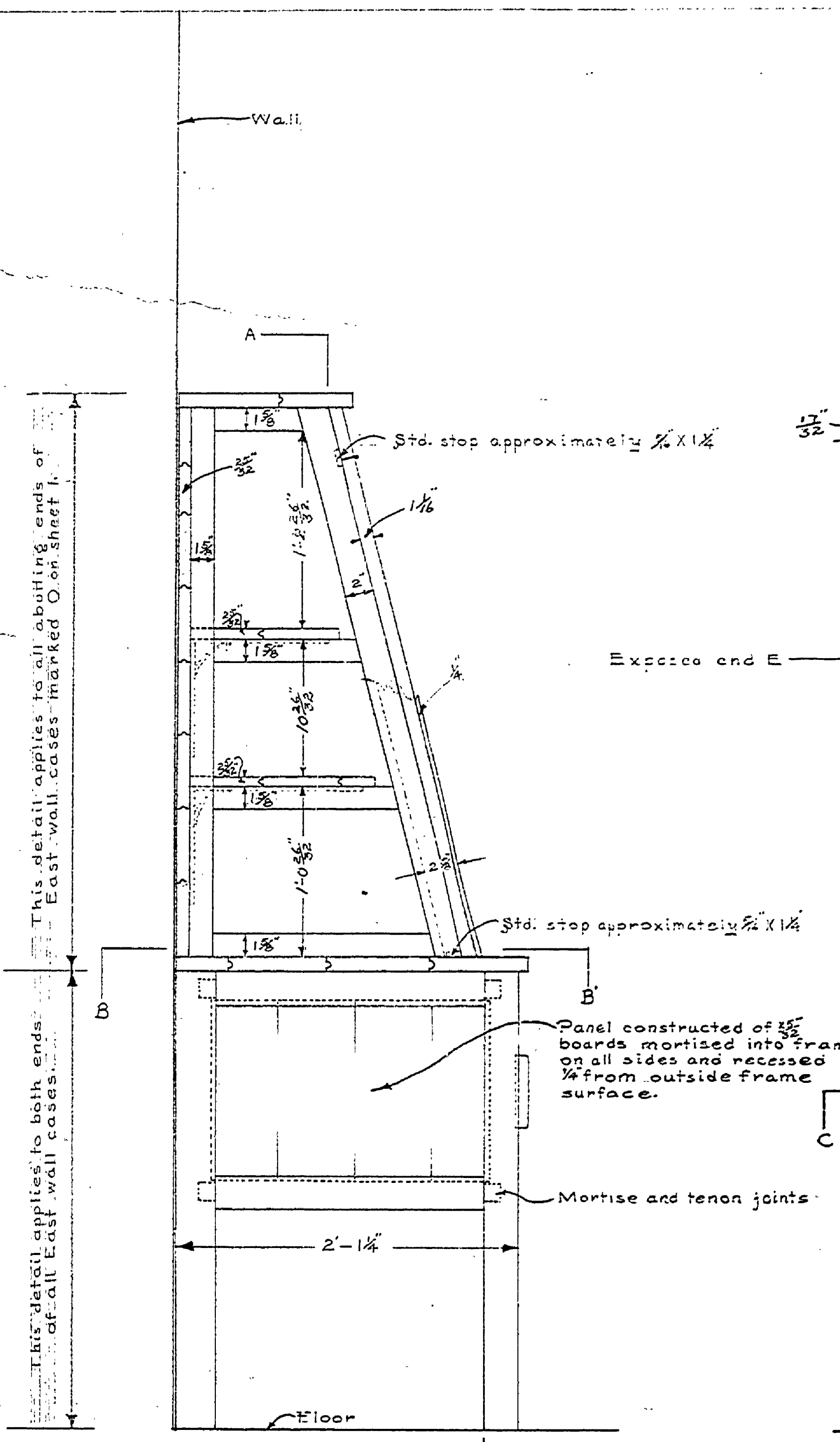
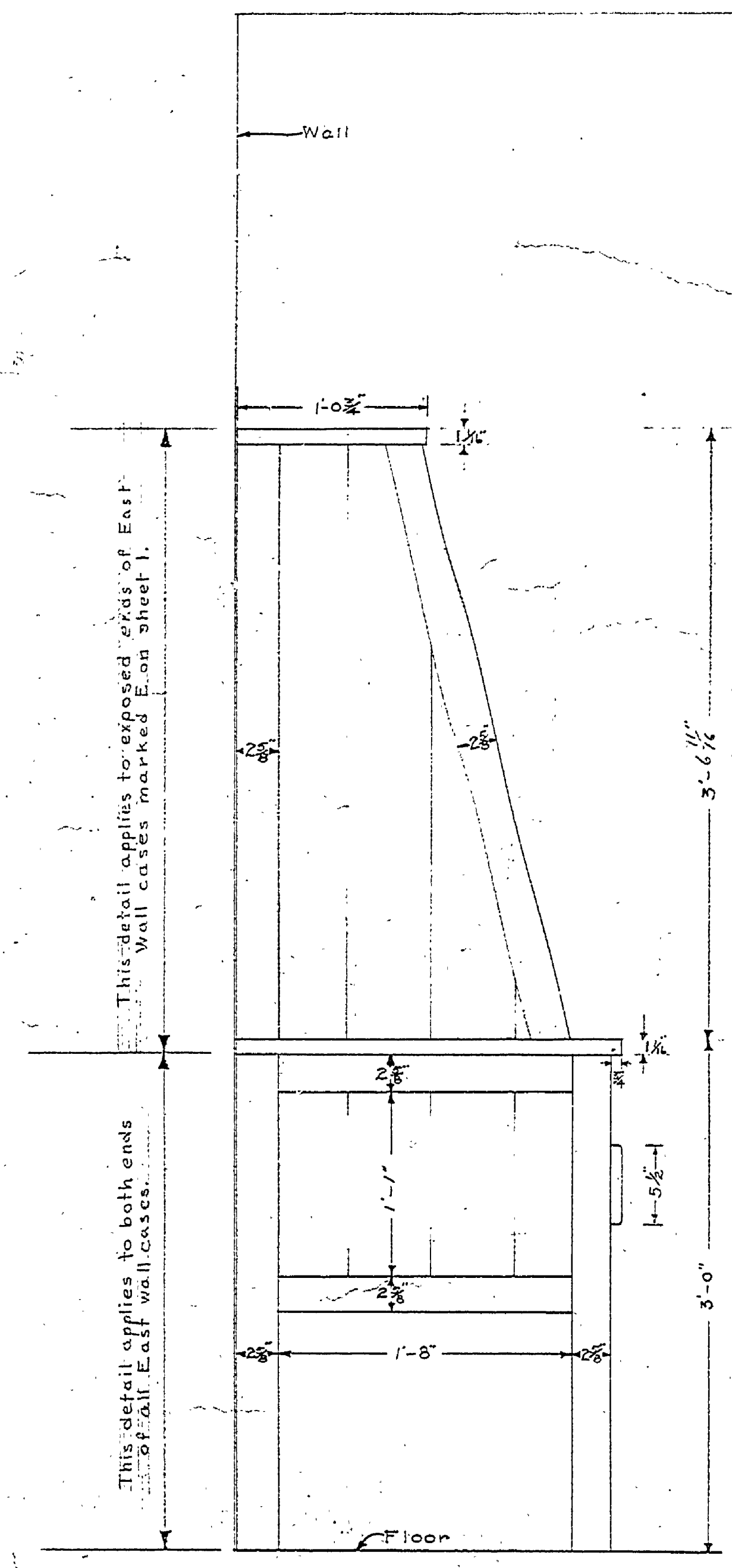
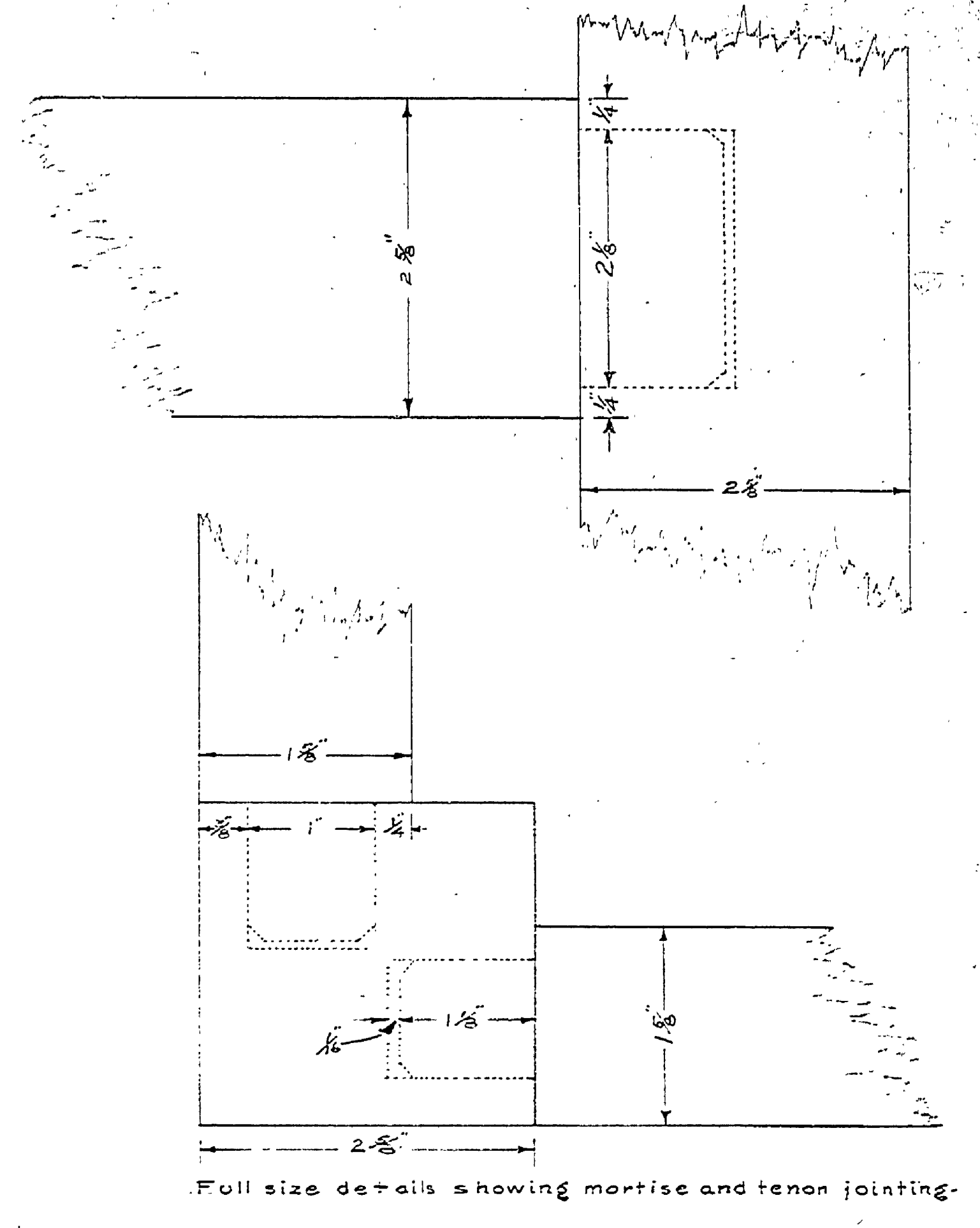
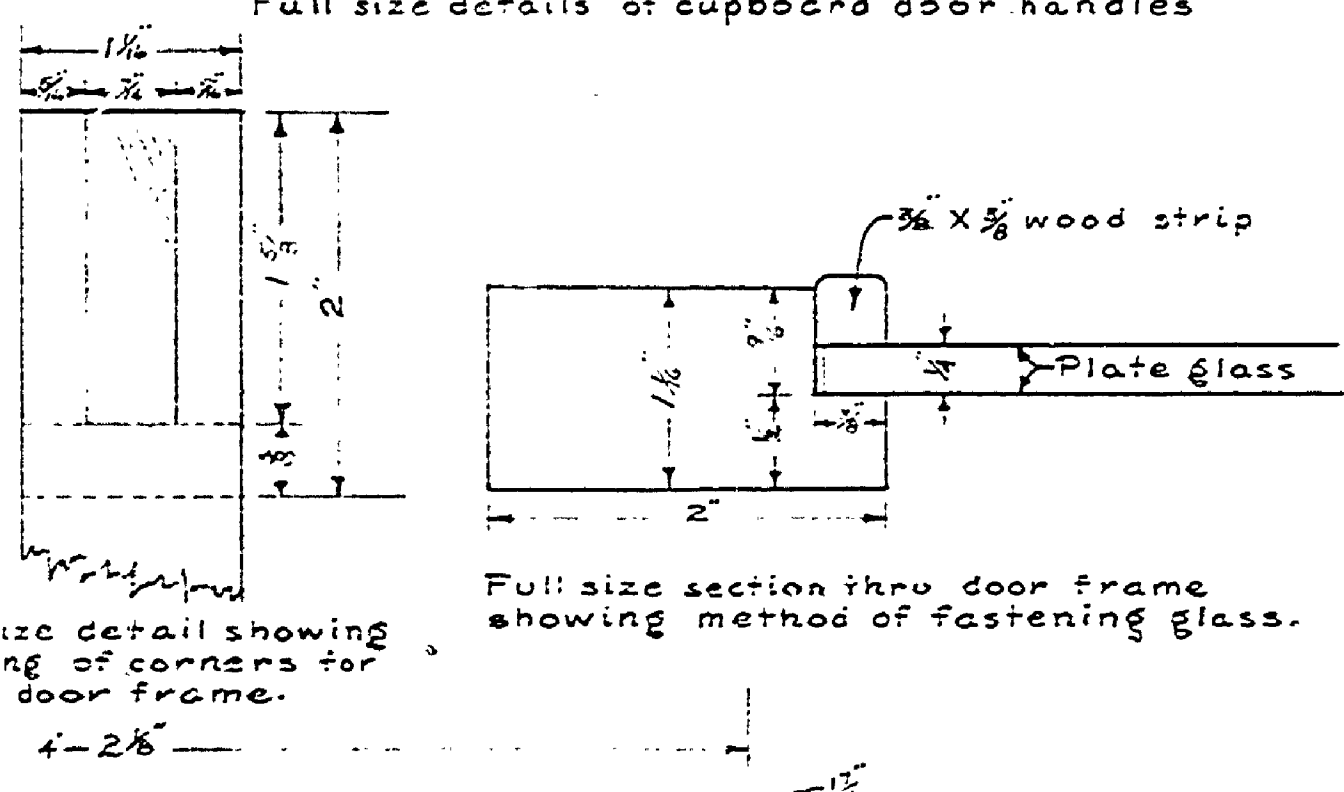
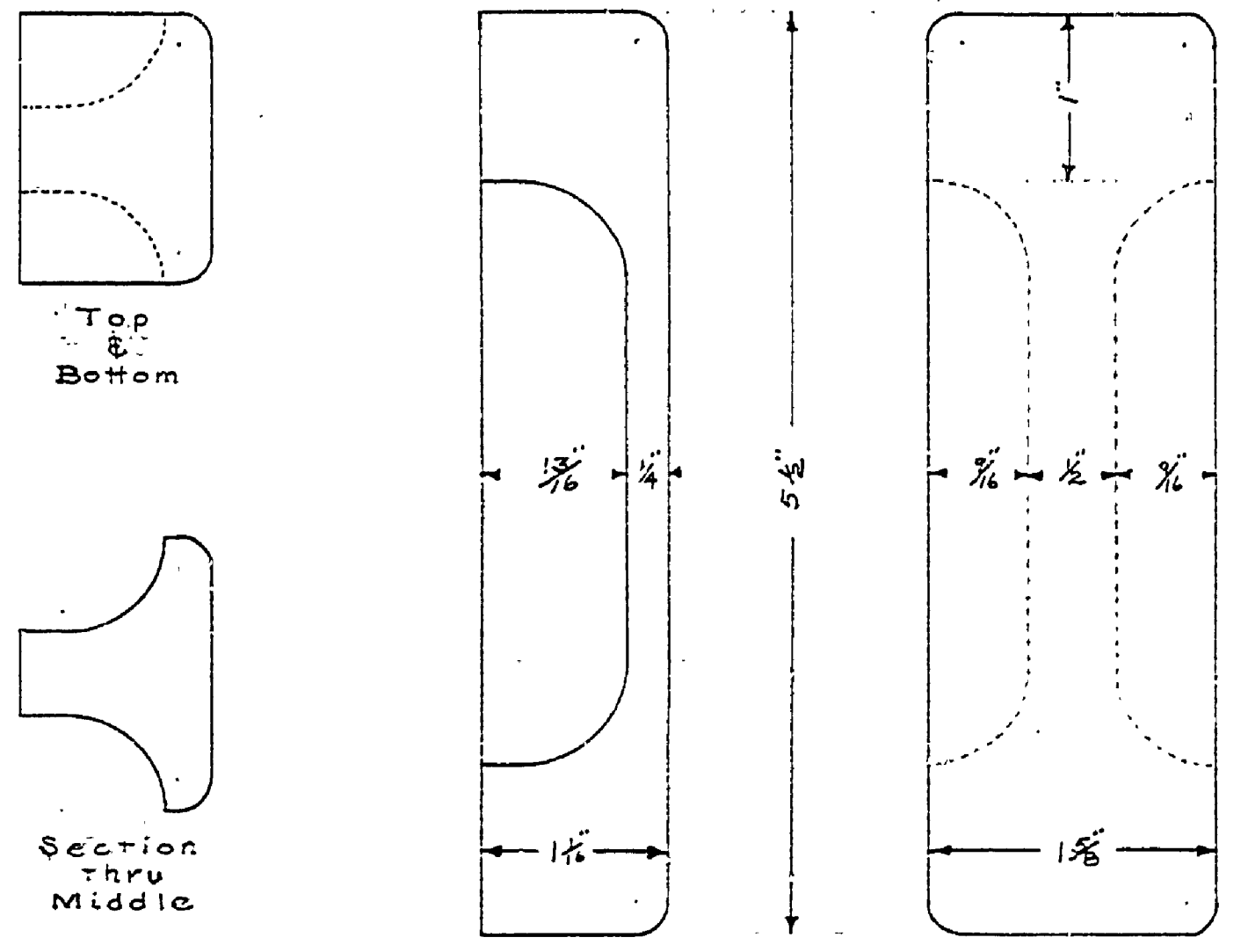
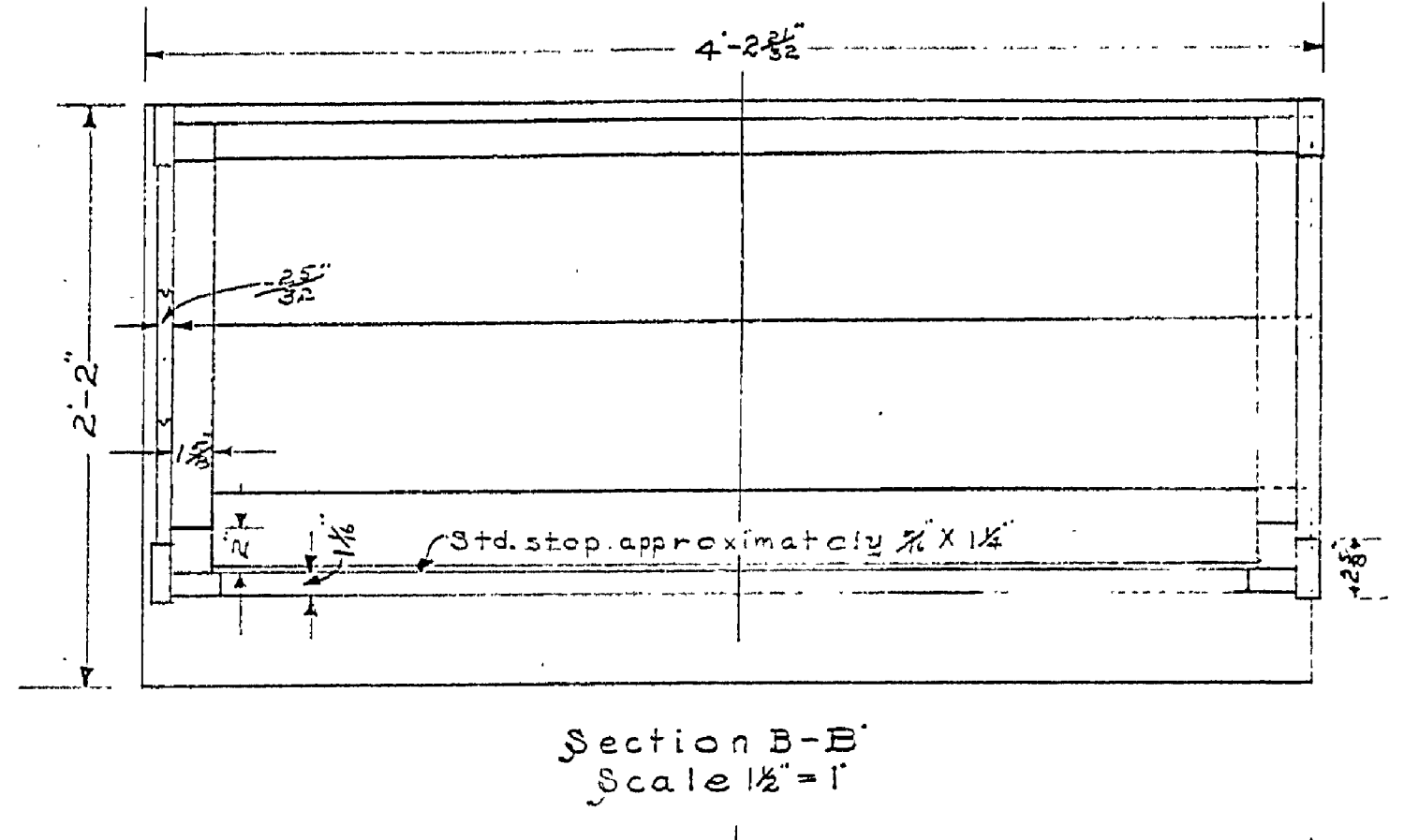
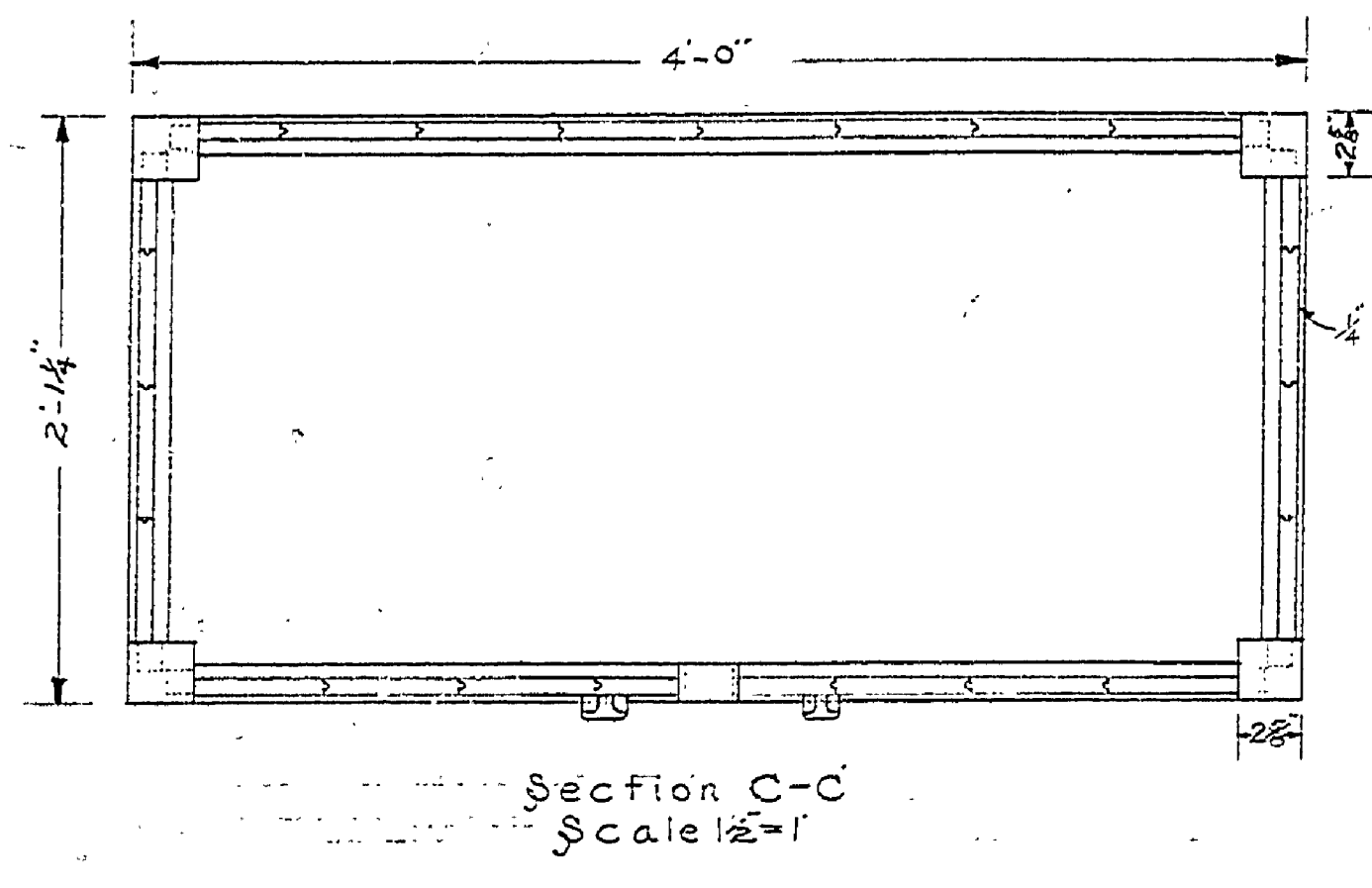


NO.	DATE	BY	REVISIONS
1			
2			
3			
4			
5			
6			

APPROVED BY	DATE	REVIEWED BY	SECTIONS
<i>J. H. ...</i>	1-17-47	H.C.H.	ARCHITECTURAL
ASSISTANT CHIEF IN CHARGE	DATE	ENGINEERING	
	1-17-47	D.A.W.	LANDSCAPE
OF DESIGN			

DRAWN BY	DATE
M.D.S.	12-17-46
CHECKED BY	
C.F.B.	
TRACED BY	



EAST WALL CASES

COMPANY QUARTERS
BUILDING NO. 7

MICHIGAN
DEPARTMENT OF CONSERVATION
STATE PARKS DIVISION

FORT WILKINS STATE PARK
PLAN FOR MUSEUM CASES

SHEET NO. 2 OF 4
PLAN NO. A-111