

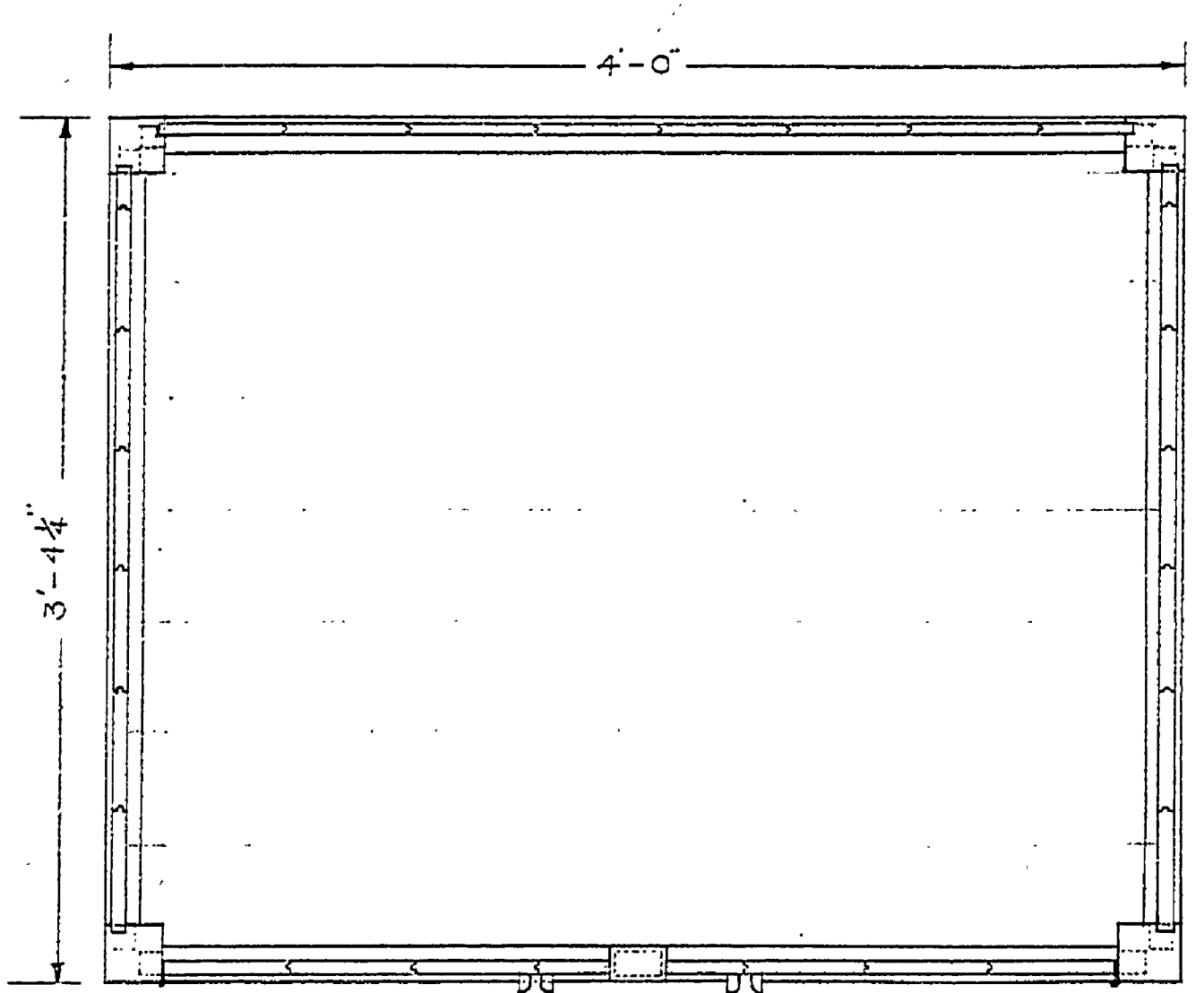
REVISIONS	NO.	DATE	BY
4			
5			
6			

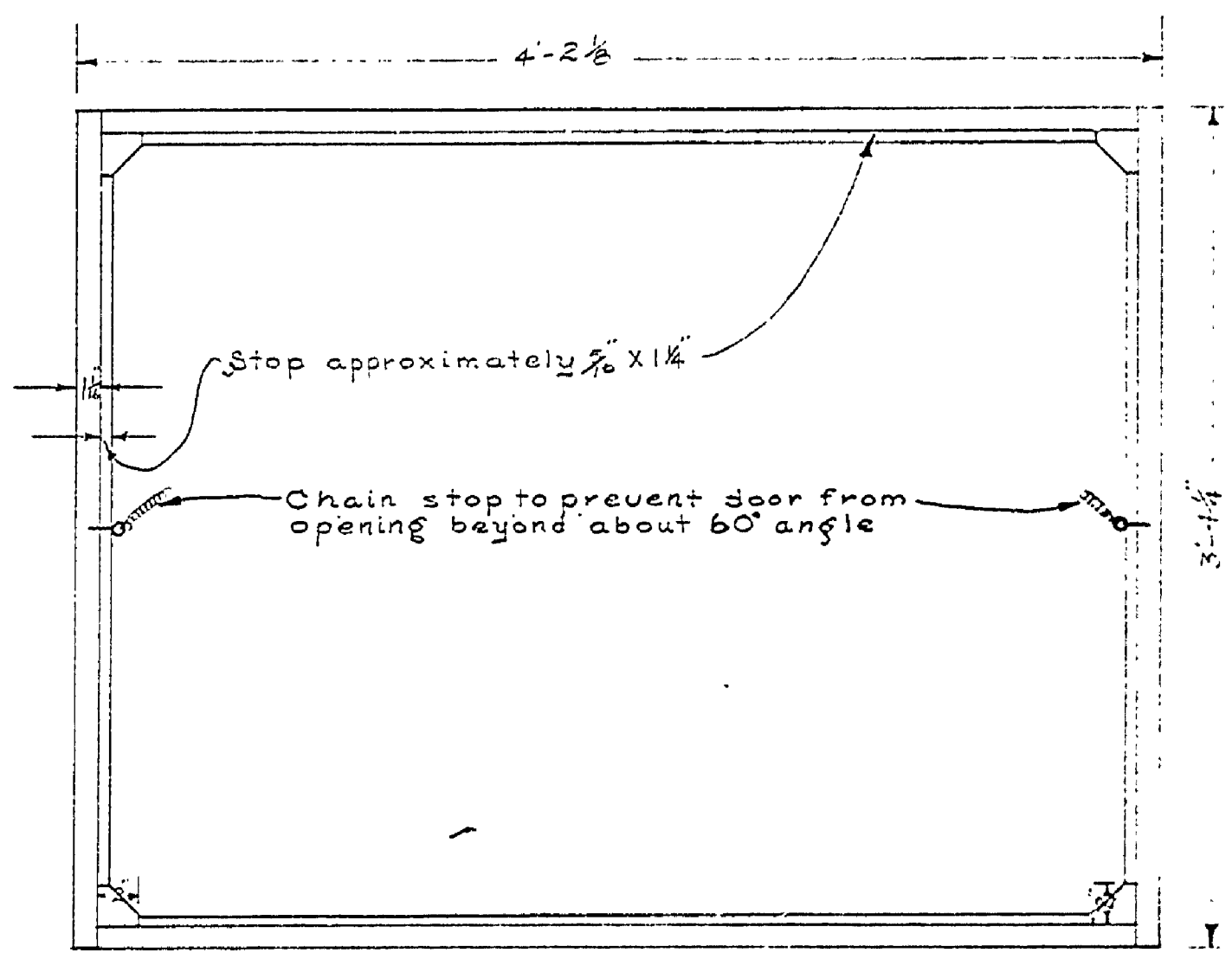
REVIEWED BY SECTIONS	DATE	APPROVED BY
ARCHITECTURAL A.H.S.	1-17-47	<i>[Signature]</i>
ENGINEERING W.C.H.	1-17-47	ASSISTANT CHIEF IN CHARGE
LANDSCAPE D.A.W.	1-17-47	OF DESIGN

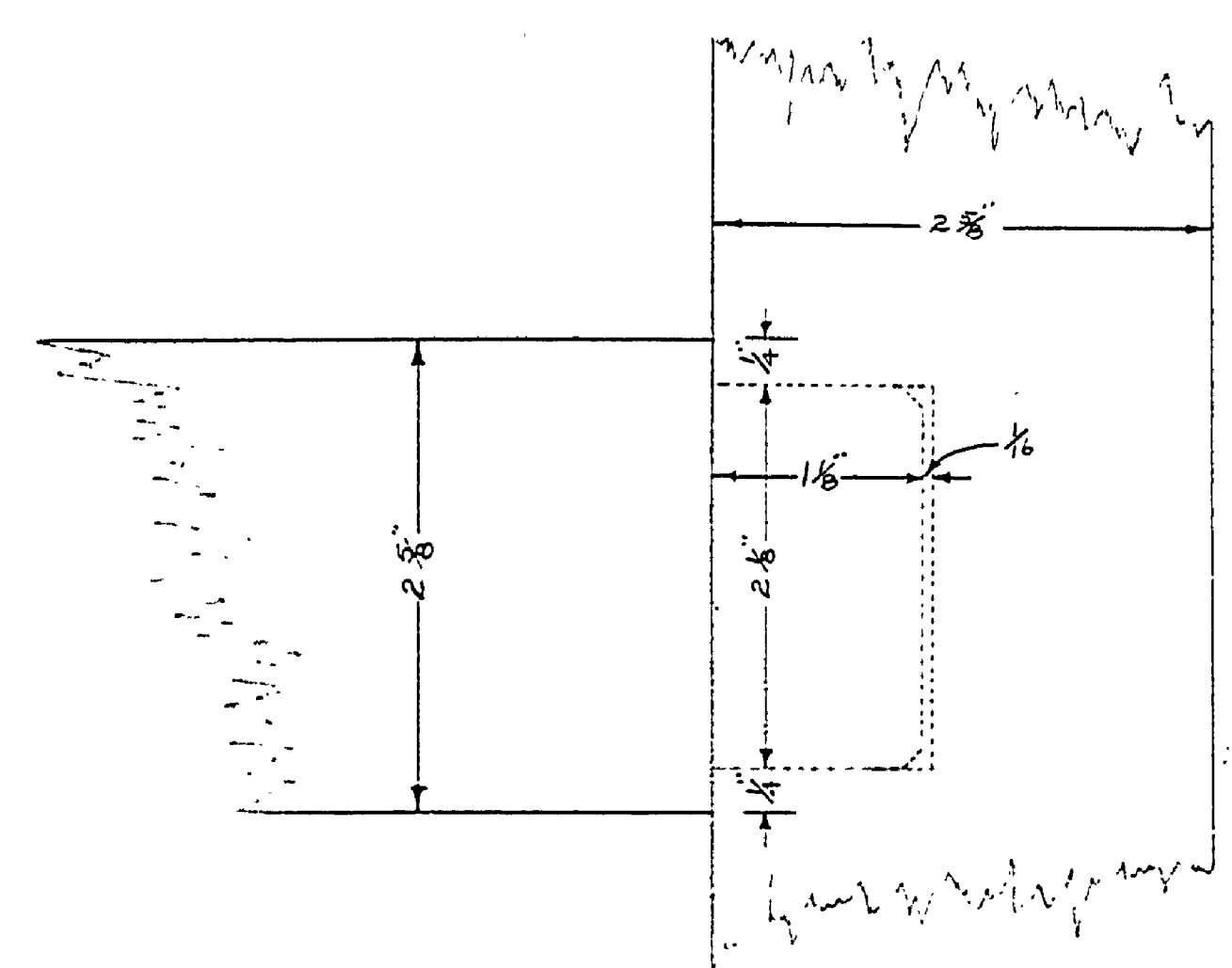
DRAWN BY	M. D.S.
CHECKED BY	C.F.D. 12-23-46



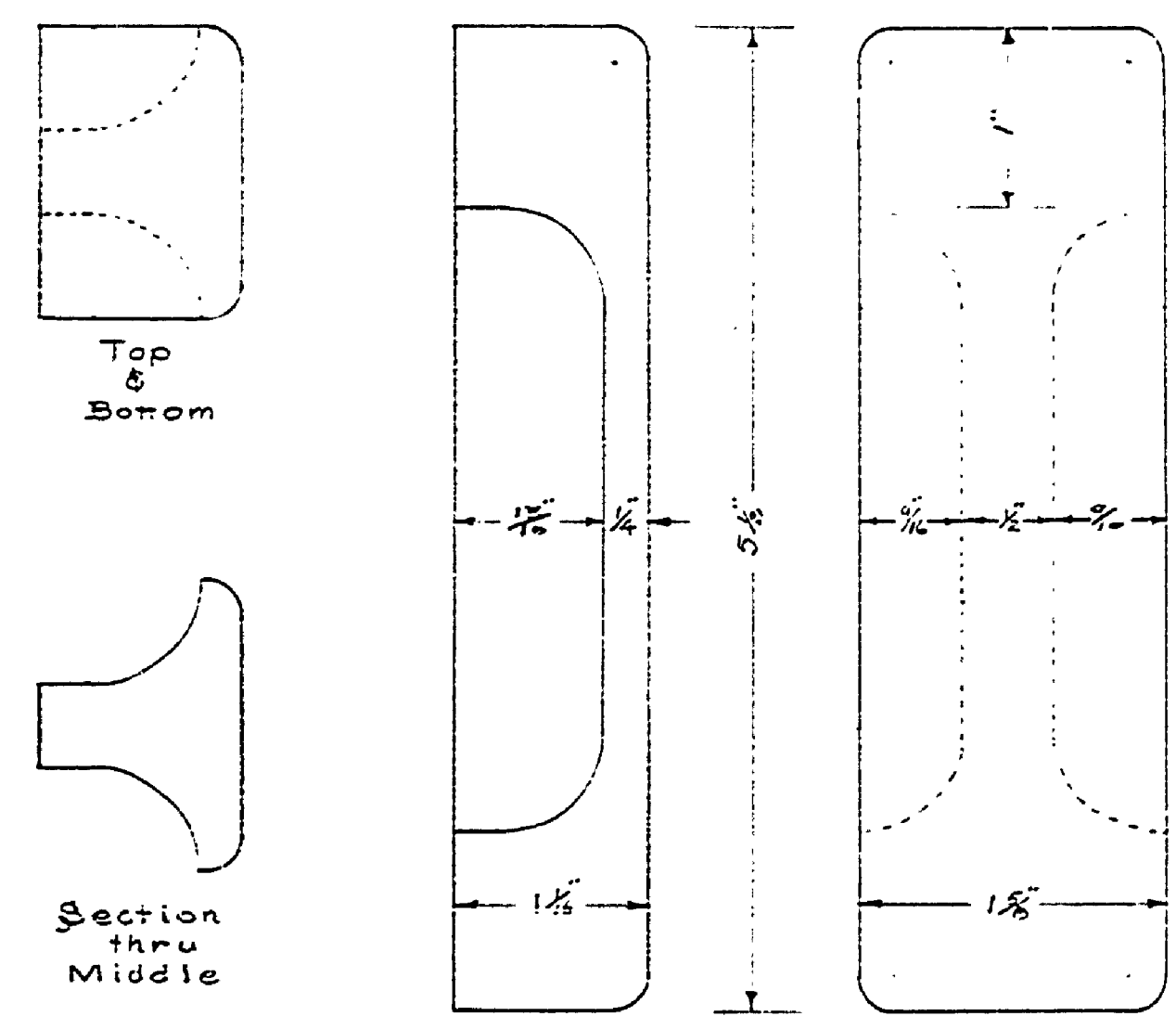
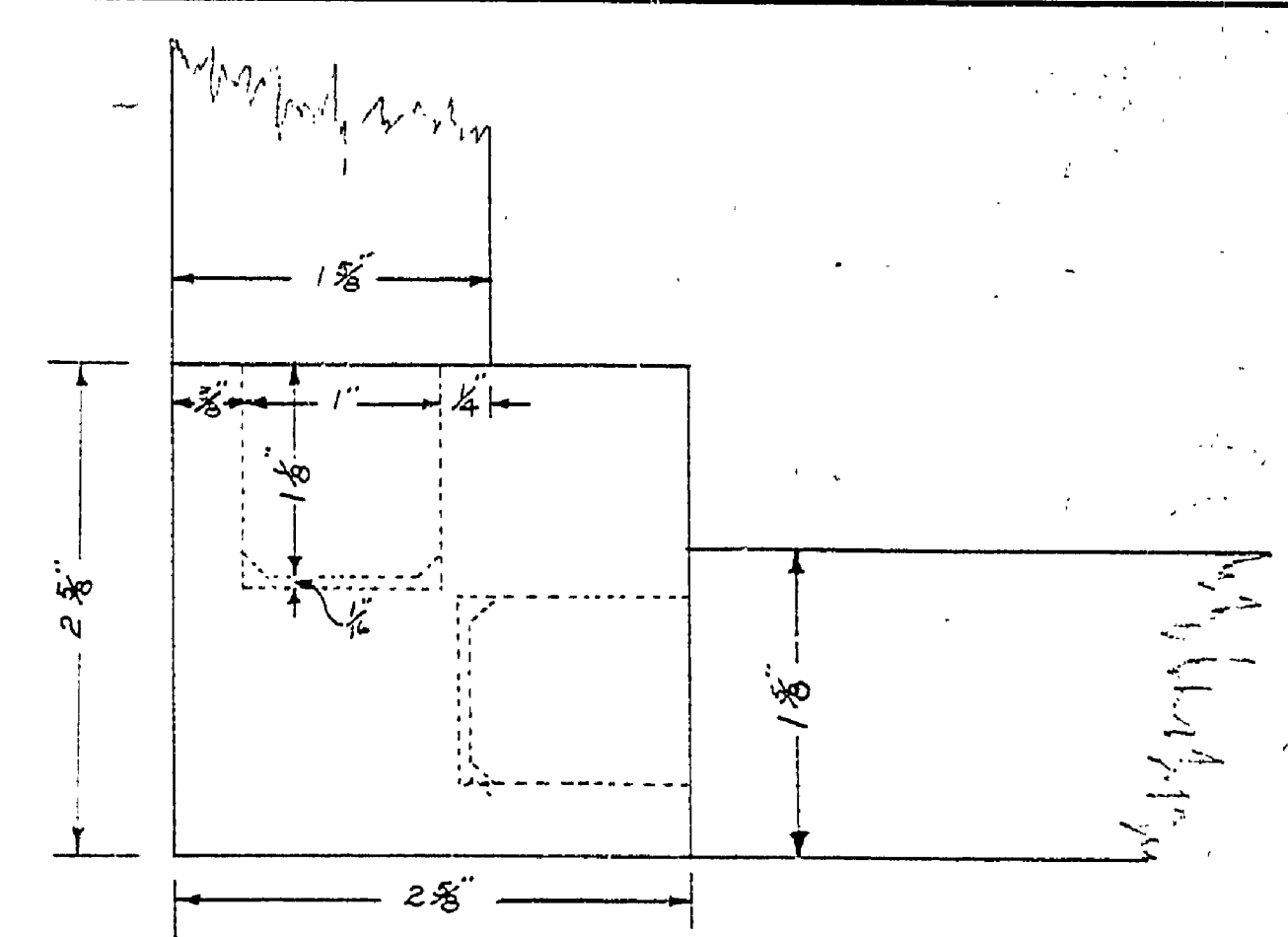
Section A-A  
Scale 1/2"=1'



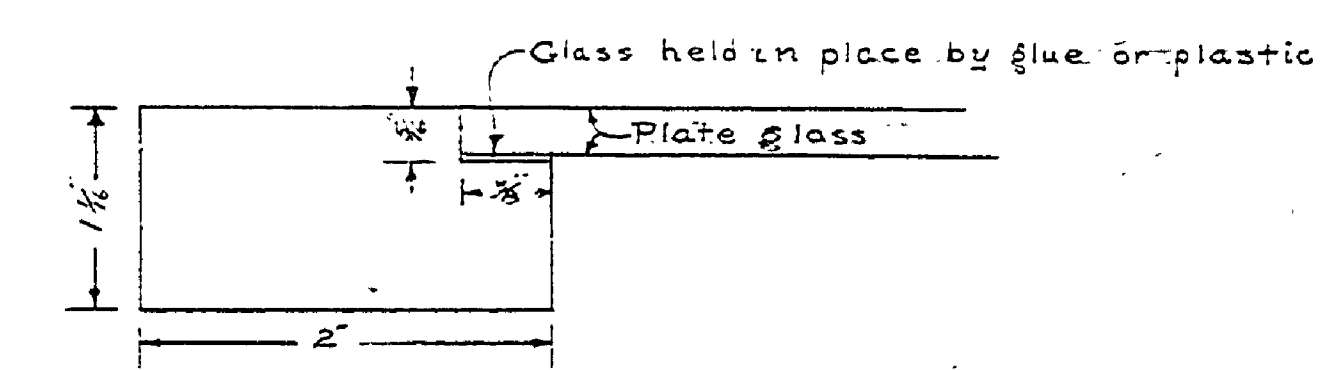
Section B-E  
Scale 1/2"=1'



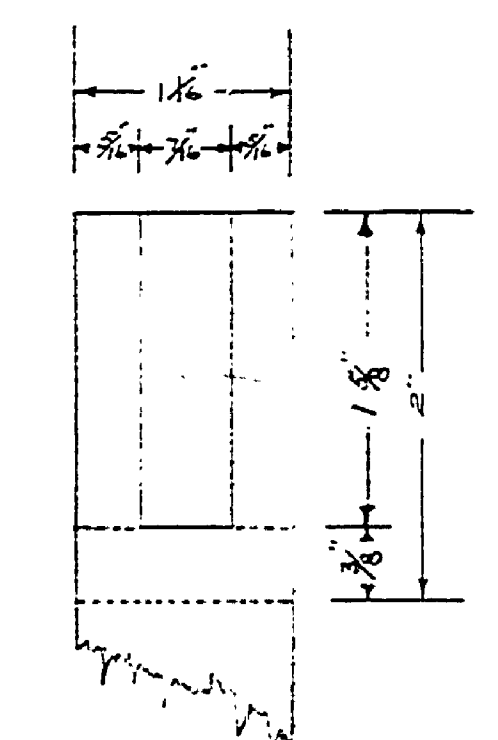
Full size details showing mortise and tenon jointing



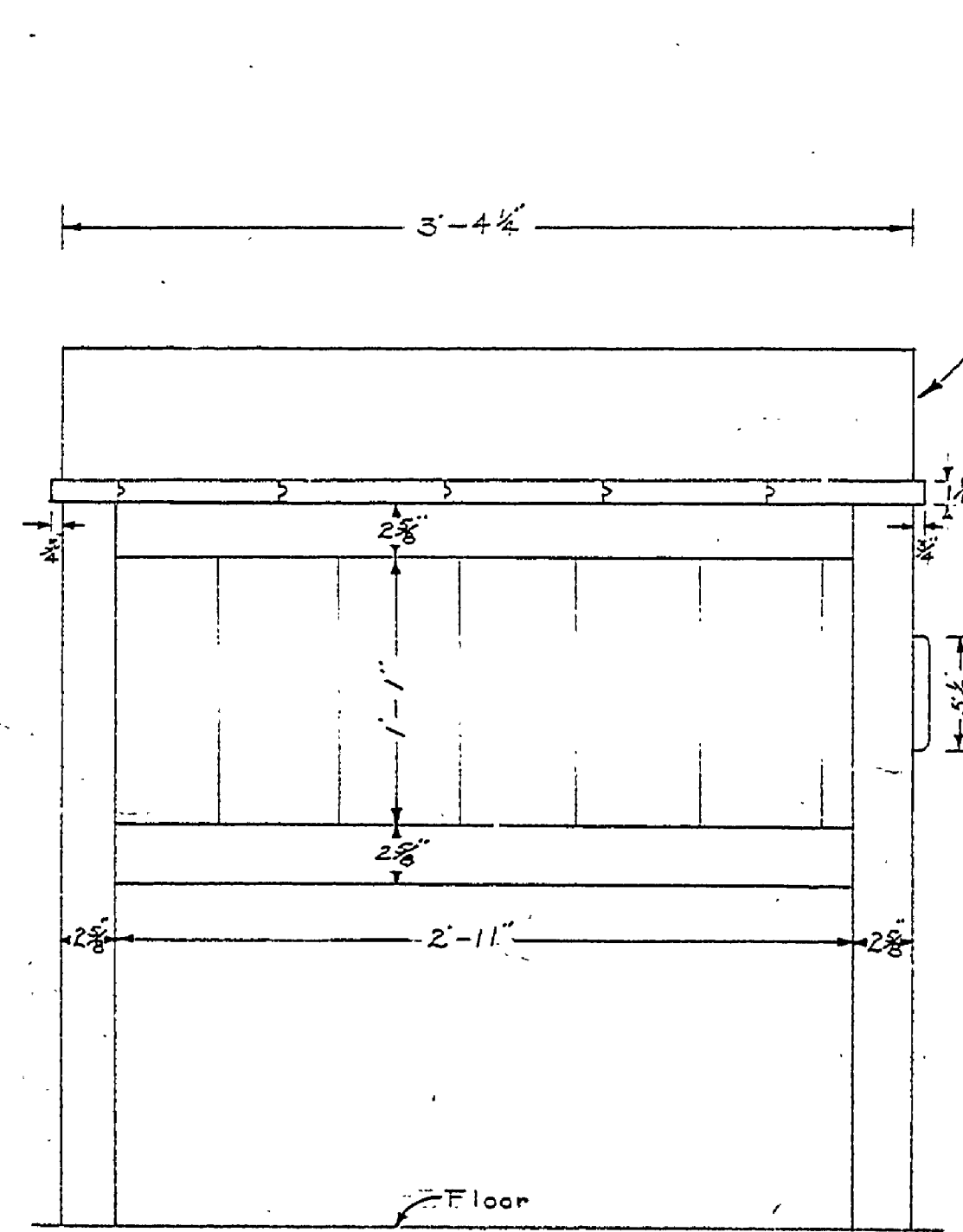
Full size details of cupboard door handles.



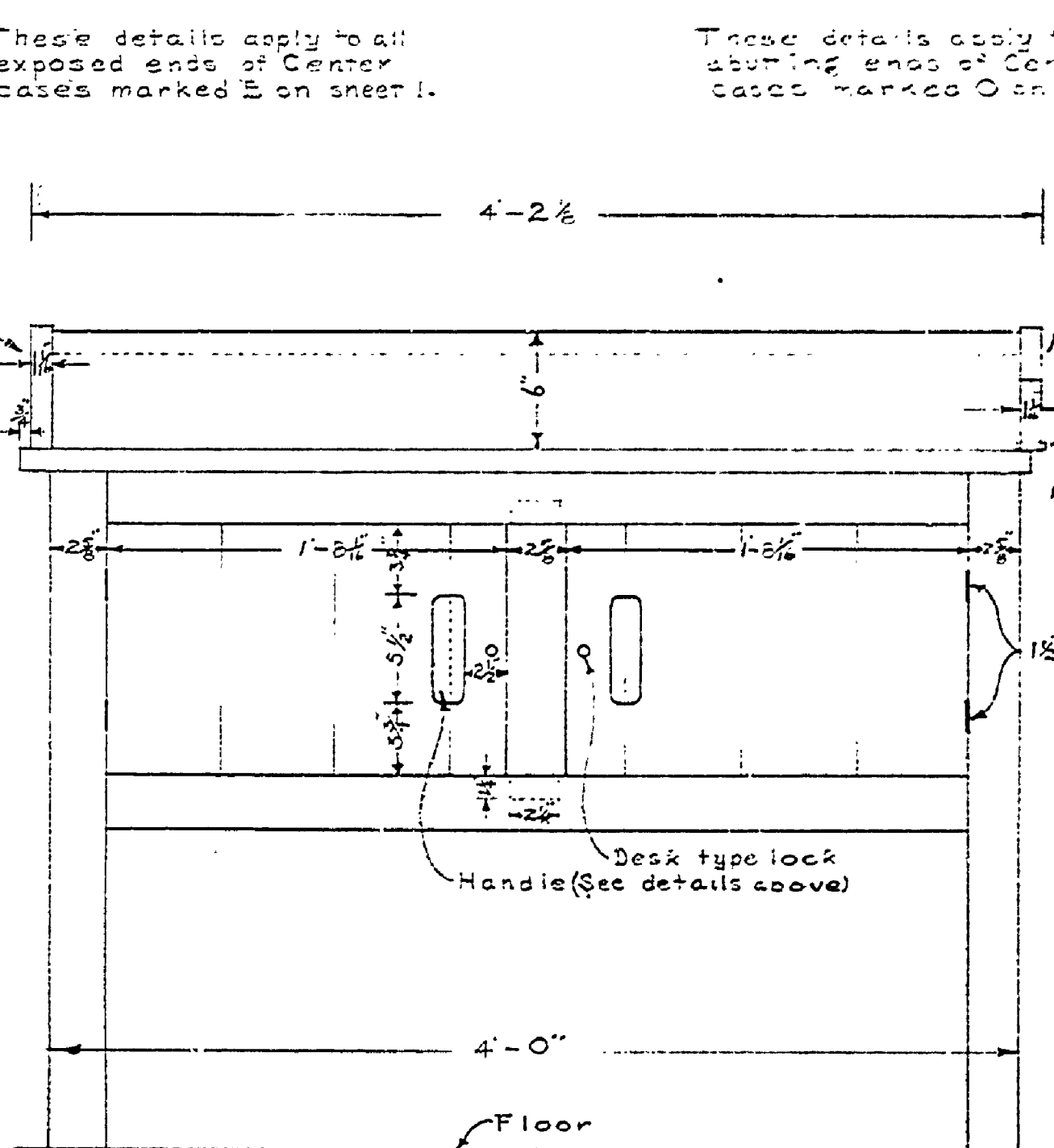
Full size detail thru frame for top of case showing method of fastening glass.



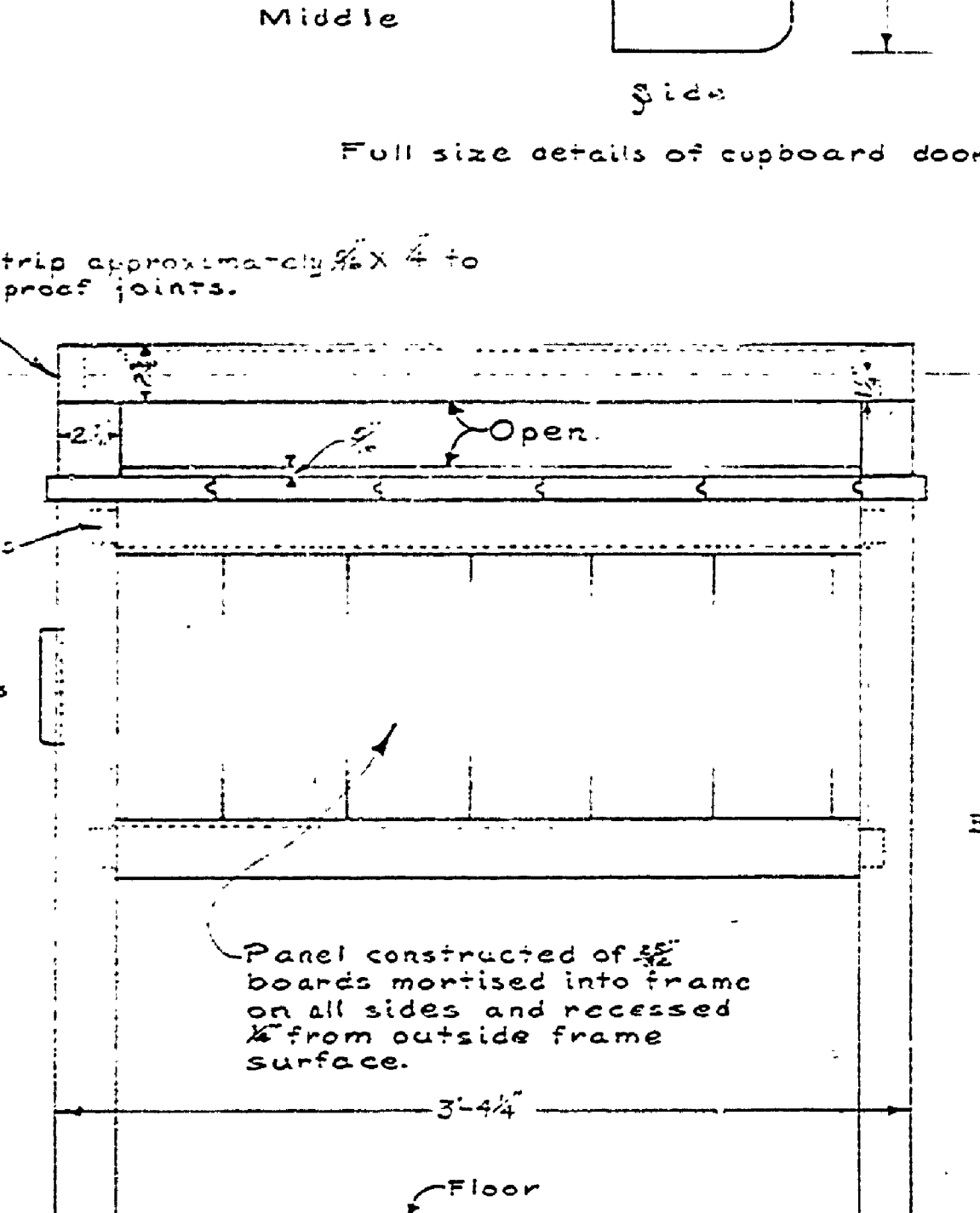
Full size detail showing jointing of corners for cover frame.



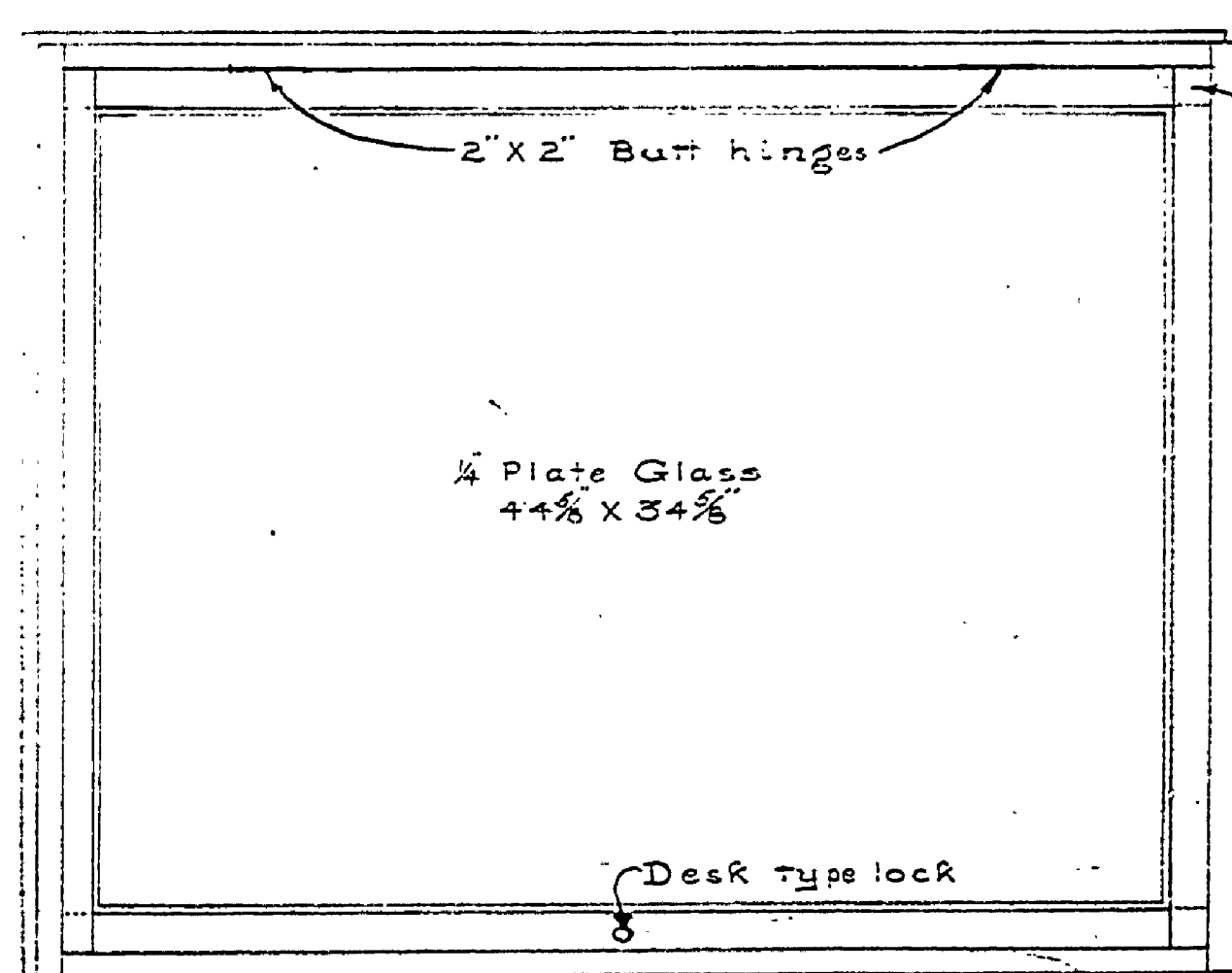
Elevation Closed End  
Scale 1/2"=1'



Elevation Front  
Scale 1/2"=1'



Elevation Open End  
Scale 1/2"=1'



Top  
Scale 1/2"=1'

CENTER CASES

COMPANY QUARTERS  
BUILDING NO. 7

MICHIGAN  
DEPARTMENT OF CONSERVATION  
STATE PARKS DIVISION

FORT WILKINS STATE PARK  
PLAN FOR MUSEUM CASES

SHEET NO. 4  
OF 4  
PLAN NO. F-111