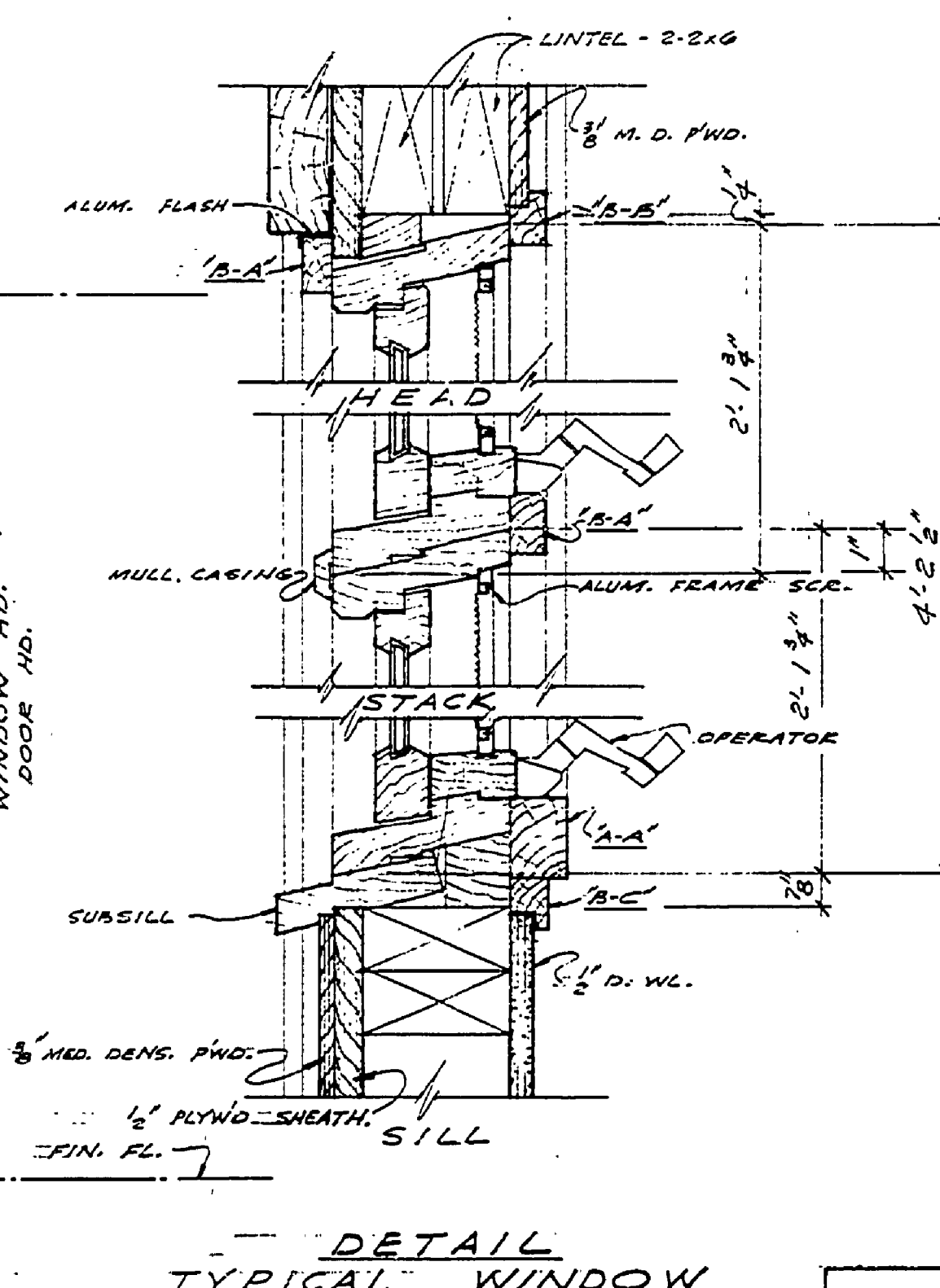
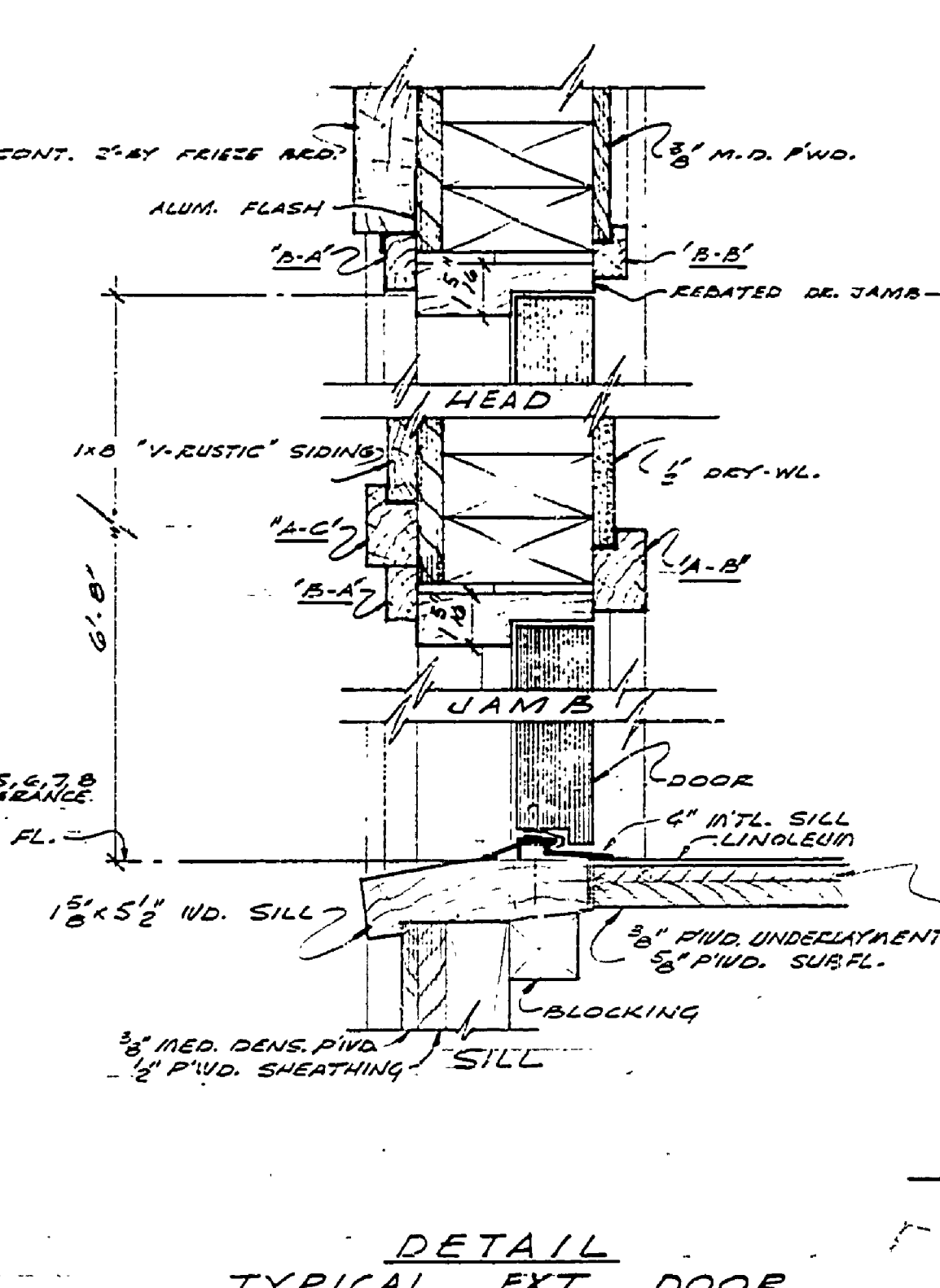
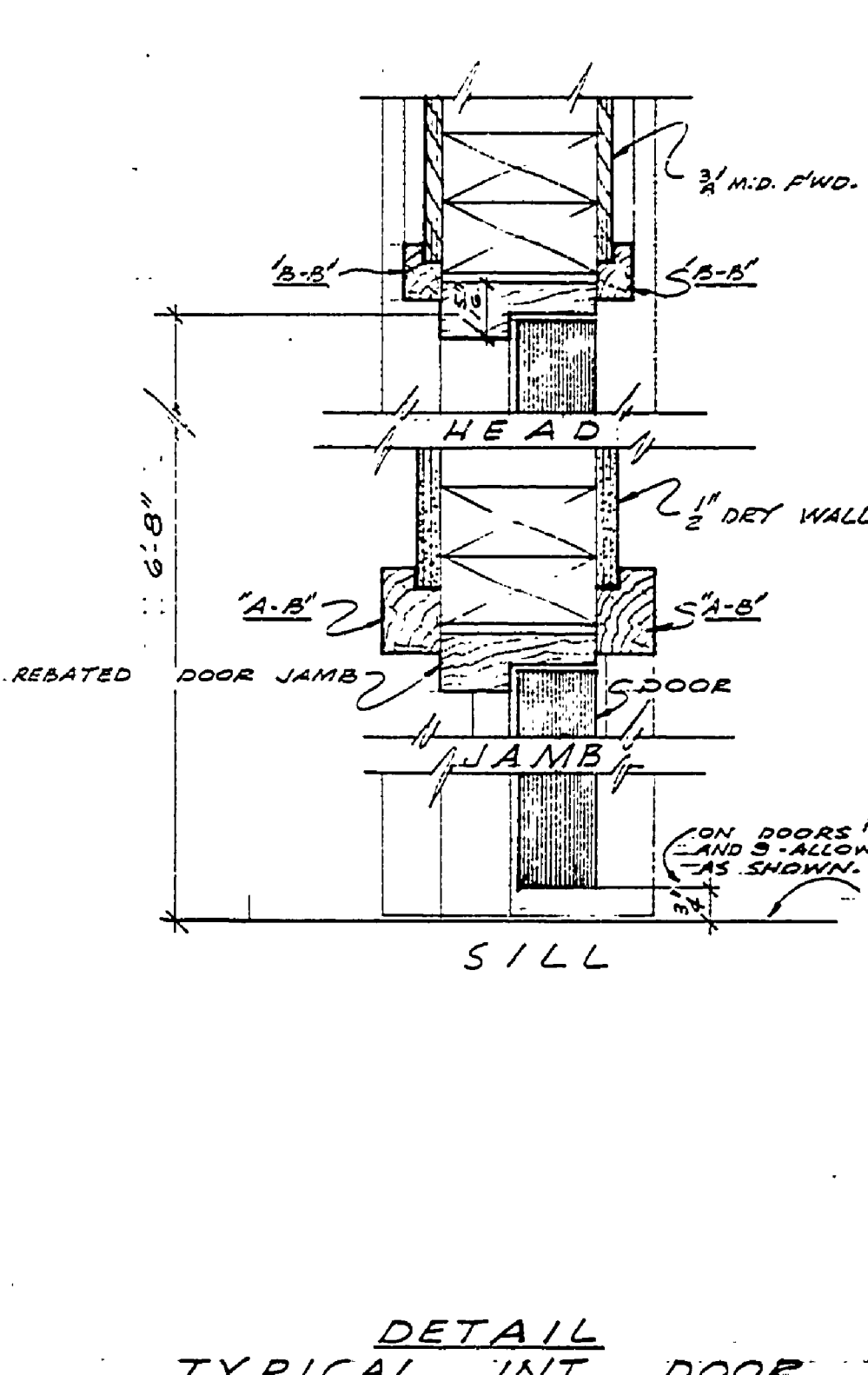
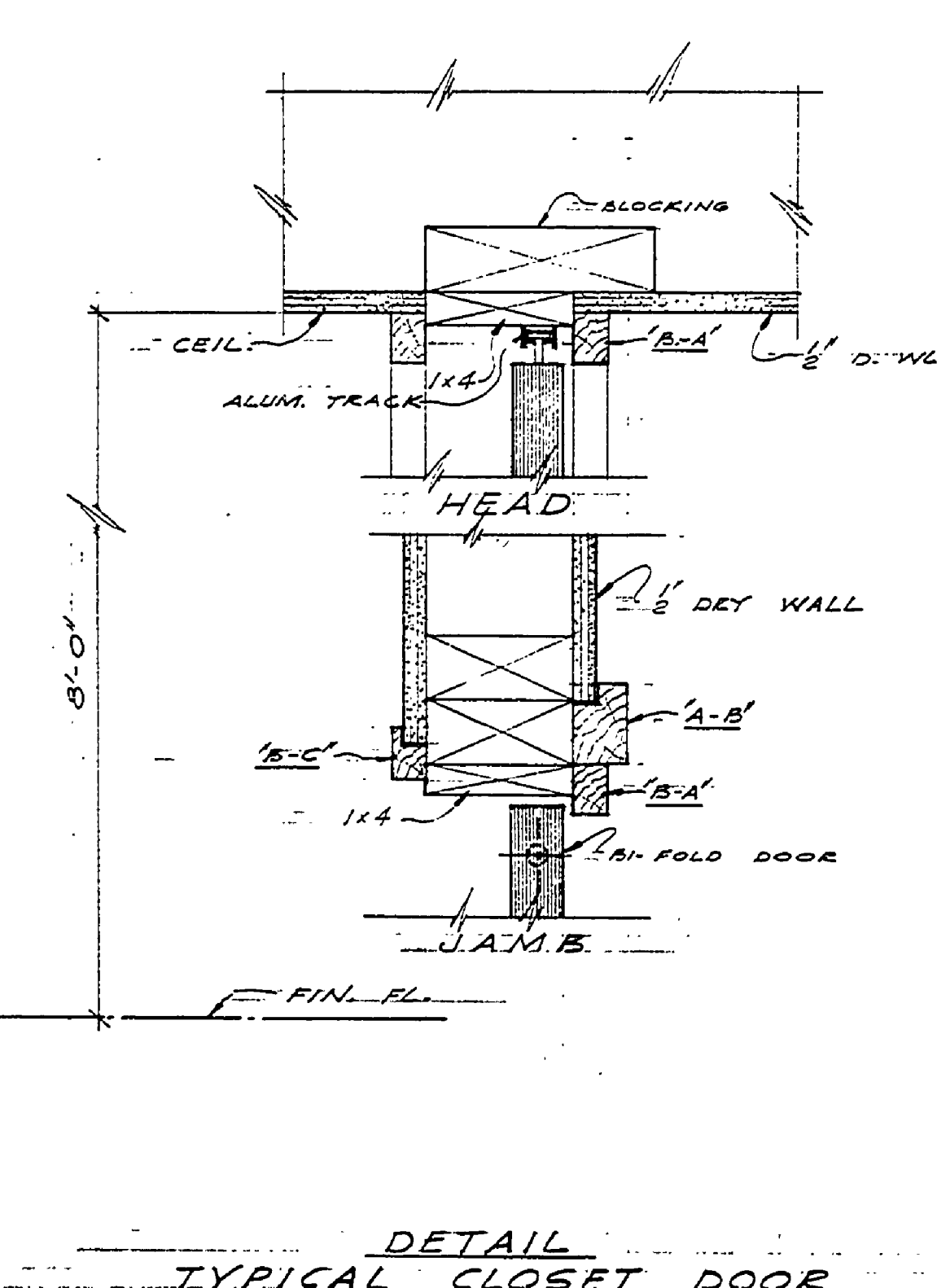
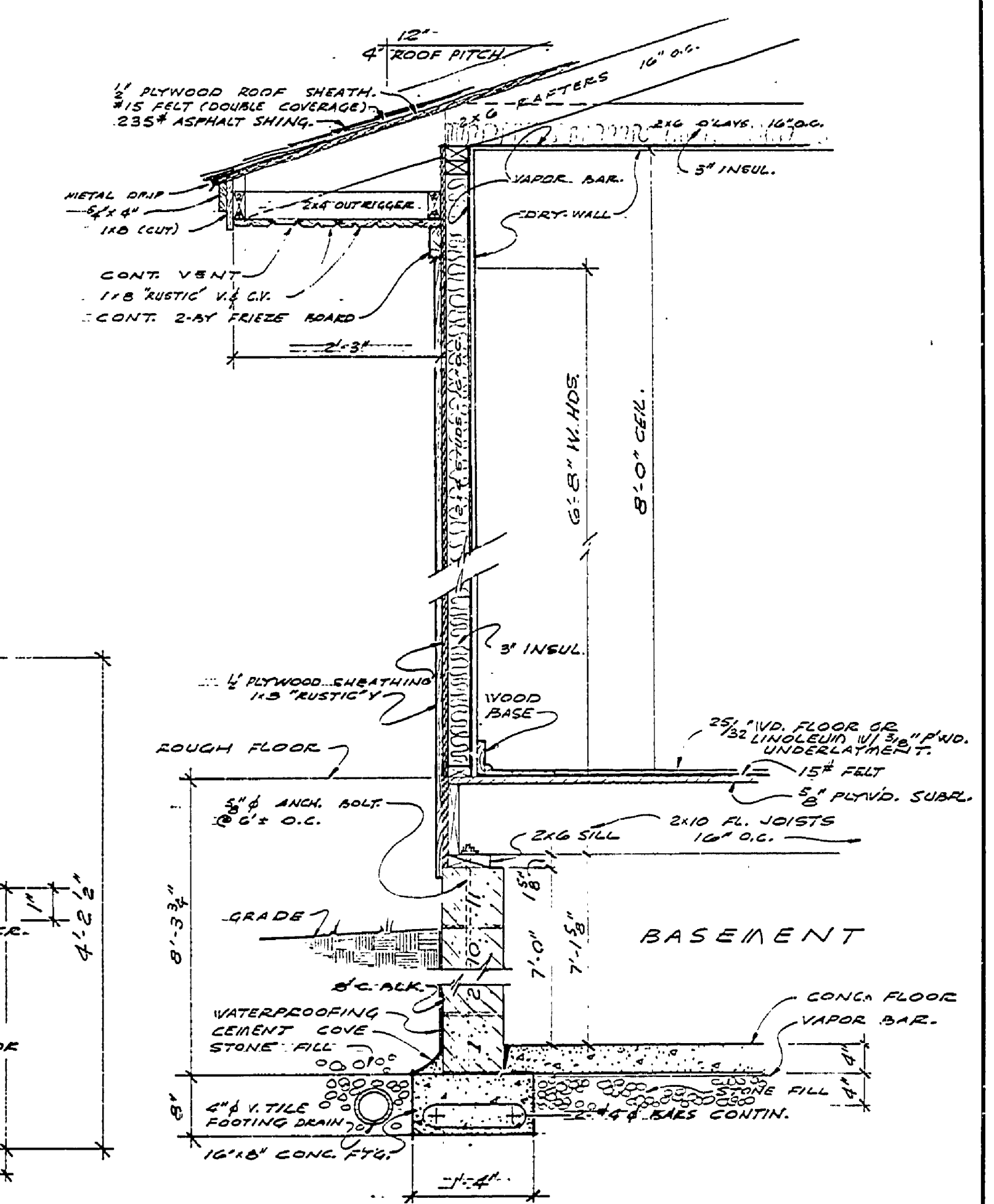
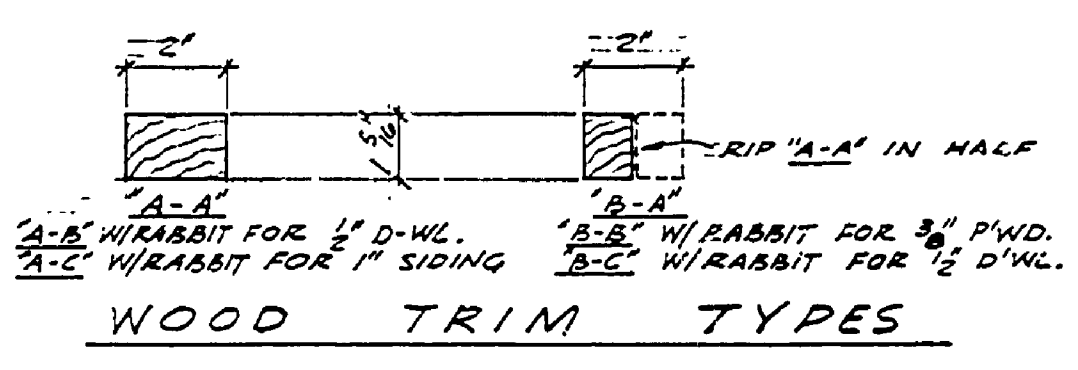
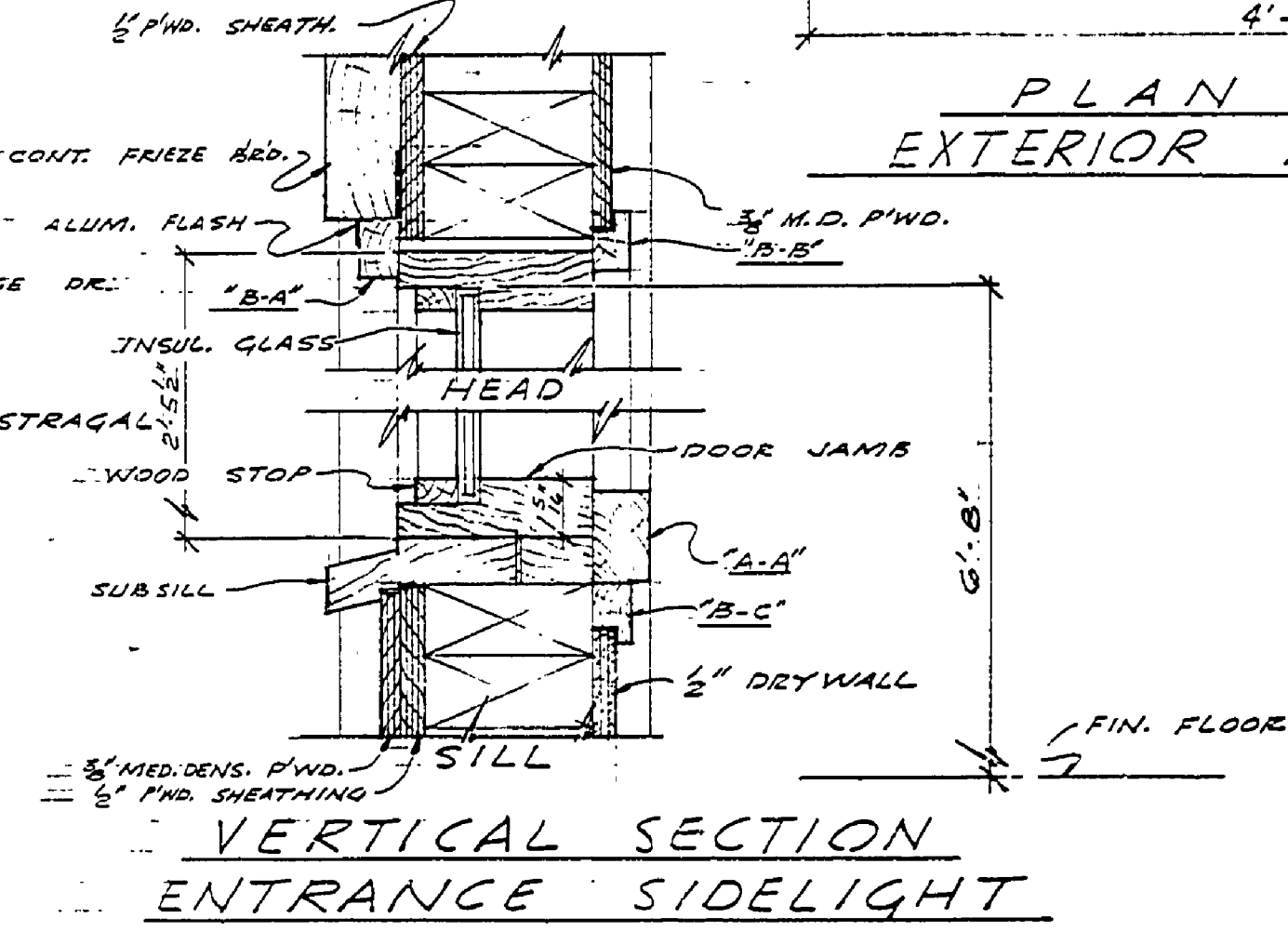
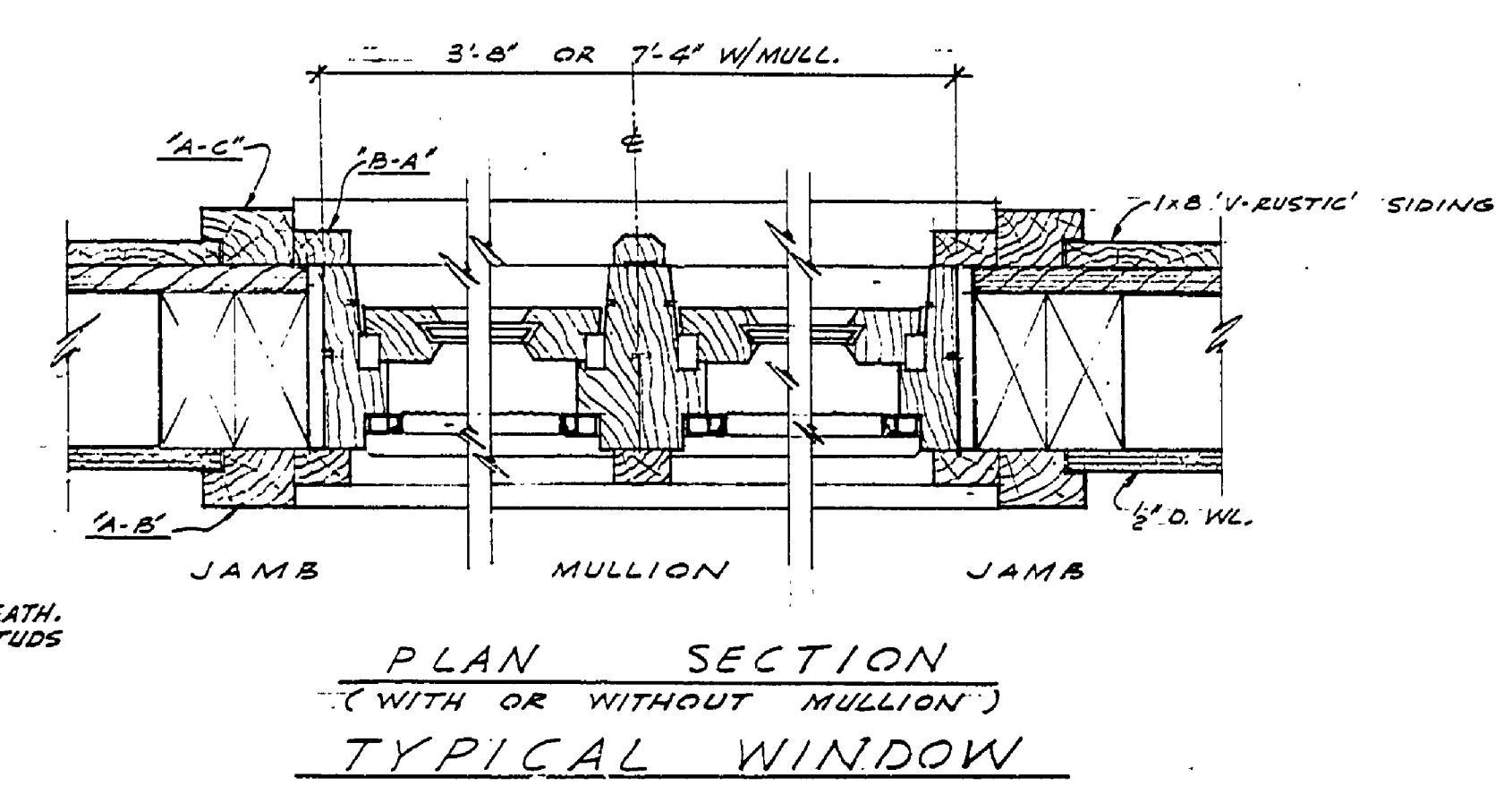
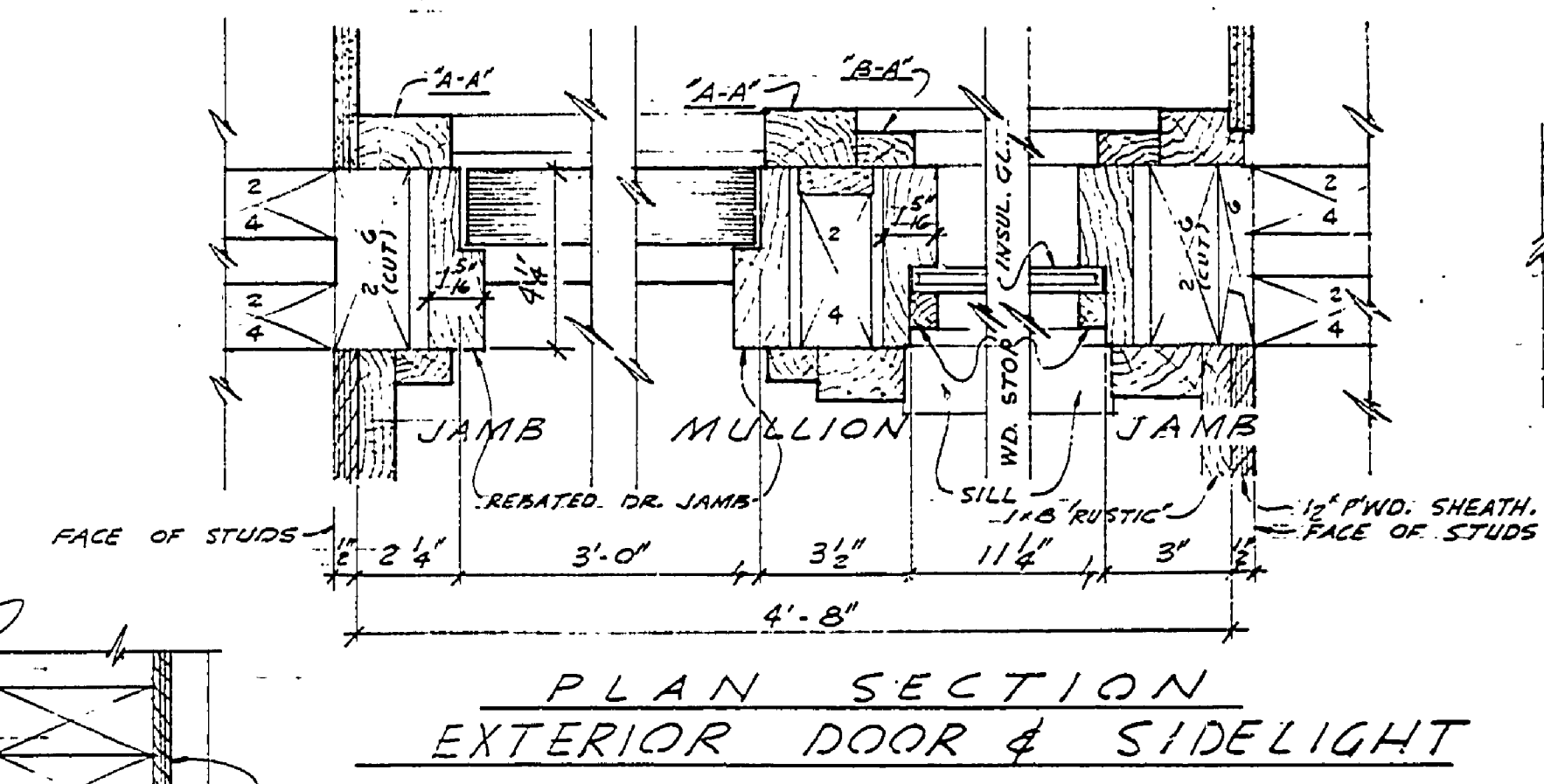
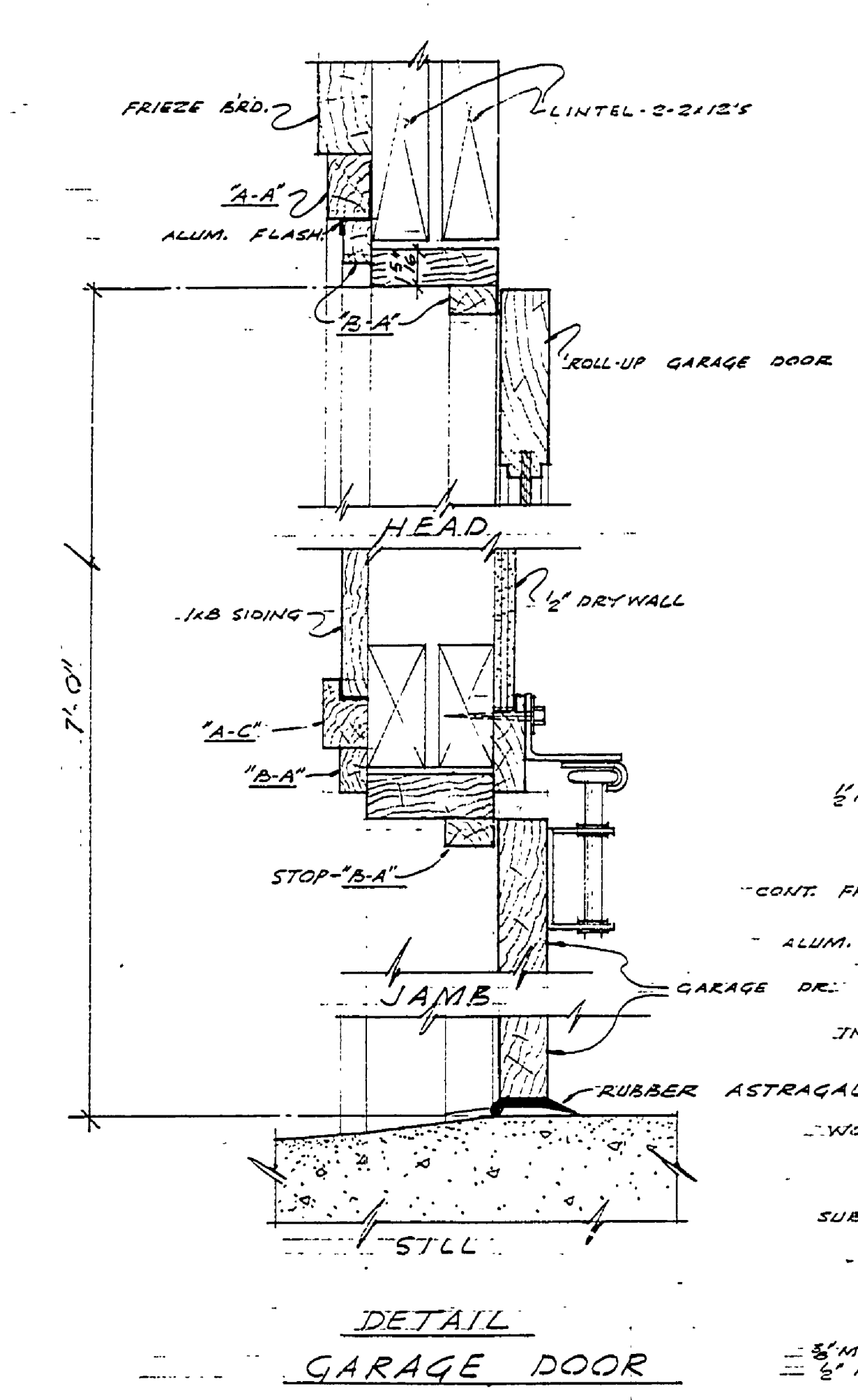


DESIGNED BY	W.P. A.C.	ARCHITECTURAL	REVIEWED	DATE	APPROVED	DATE	NO.	DATE	BY	REVISIONS	DATE	BY
DRAWN BY	W.P. A.C.	ENGINEERING		10-44			1			4		
CHECKED BY	W.P. A.C.	LANDSCAPE		5-31-65			2			5		
							3			6		



CONSERVATION COMMISSION APPROVAL	
BY: _____	DATE: _____
RECOMMENDED FOR APPROVAL: _____	DESIGN DATE: _____
RECOMMENDED FOR APPROVAL: _____	DESIGNER DATE: _____
RECOMMENDED FOR APPROVAL: _____	IN CHARGE OF DESIGN DATE: _____
RECOMMENDED FOR APPROVAL: _____	SECTION APPROVAL DATE: _____
BY: _____	DATE: _____

MICHIGAN DEPARTMENT OF CONSERVATION		
APPROVED: _____	CHIEF ENGINEER	DATE: _____
PLAN NO. _____	PROJECT NUMBER _____	SHEET _____ OF _____